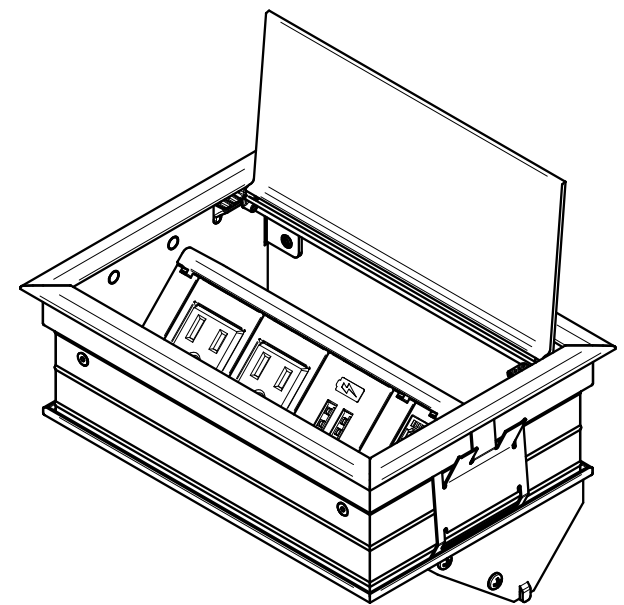
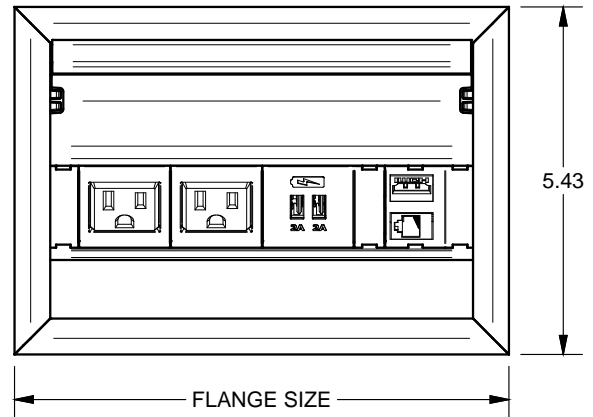


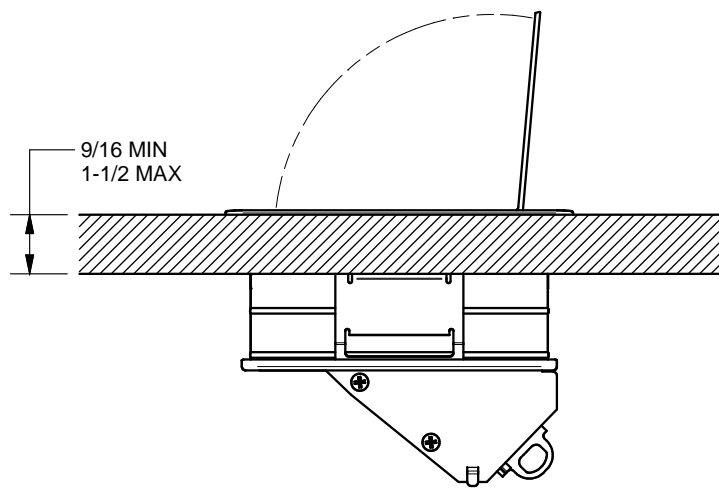
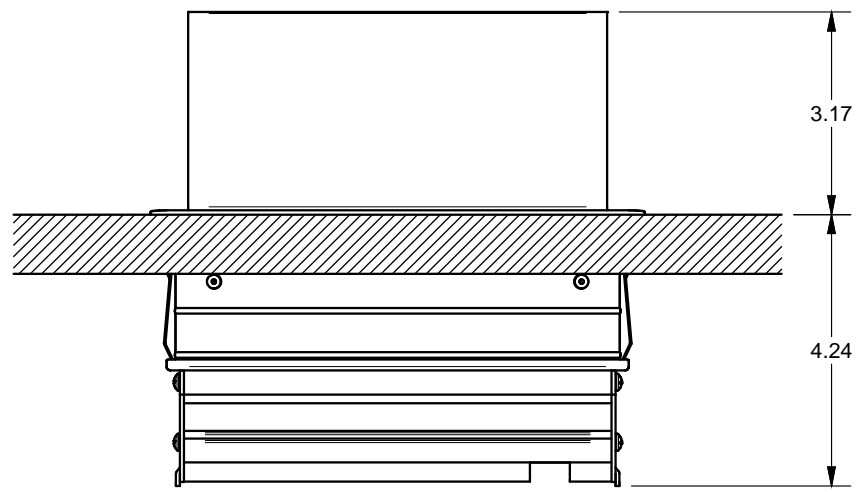
4 | 3 | 2 | 1

C



C

B



B

A

TYPE	FLANGE SIZE	TABLE CUT OUT SIZE
A FRAME	6.30	6-1/16 x 5.00
B FRAME	7.73	7-7/16 x 5.00
C FRAME	8.69	8-7/16 x 5.00
D FRAME	10.12	9-7/8 x 5.00

A

4 | 3 | 2 | 1

FSR Inc. 244 BERGEN BLVD. WOODLAND PARK, NJ 07424 TEL (973) 785-4347 FAX (973) 785-3318	TITLE: SYM-IN		
	DRAWN BY: JRE	DATE: 09/20/18	REV: -
	DWG#:	SYM-IN	SCALE: -