

4

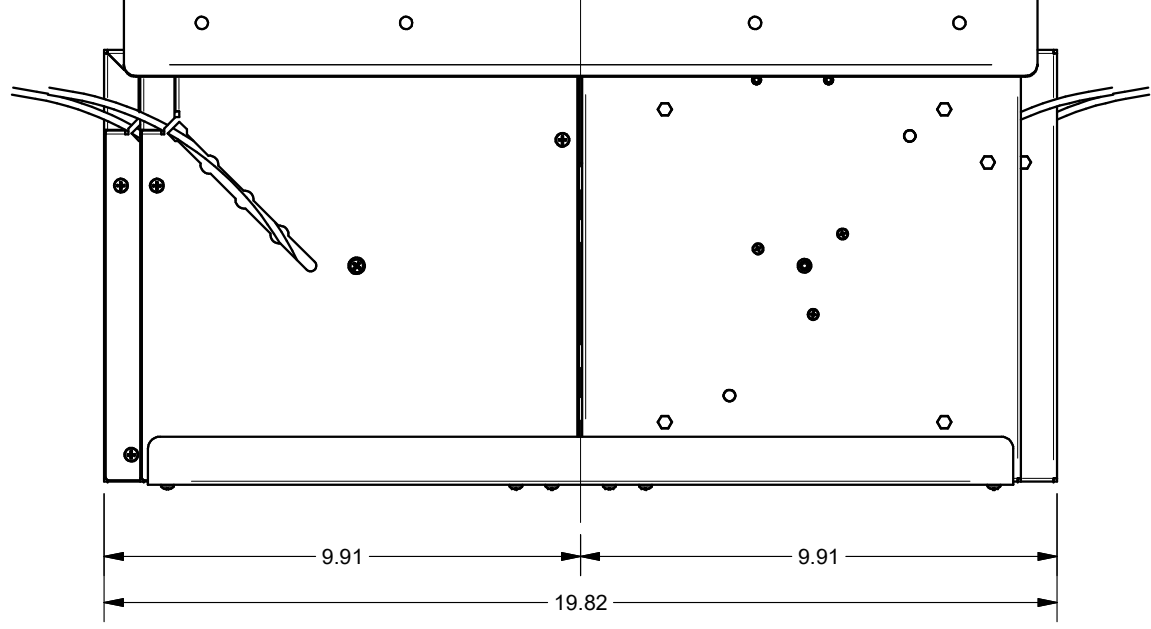
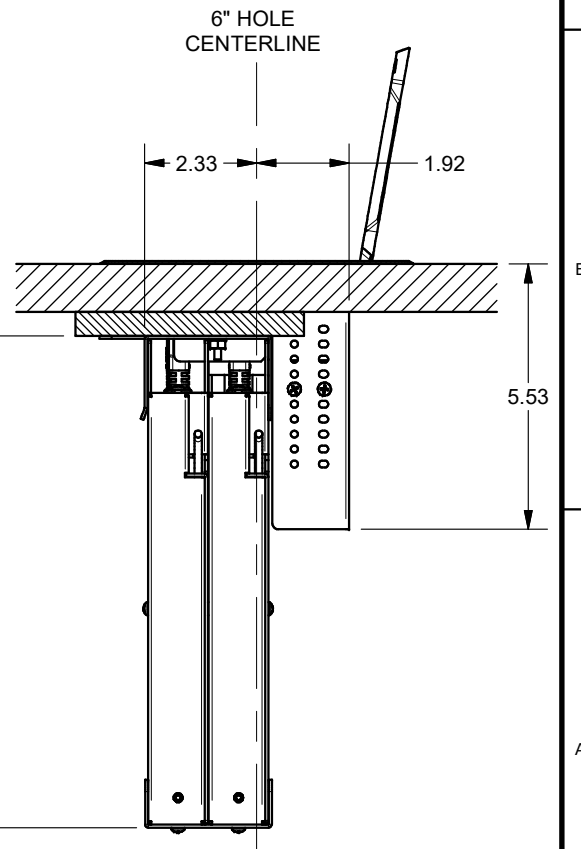
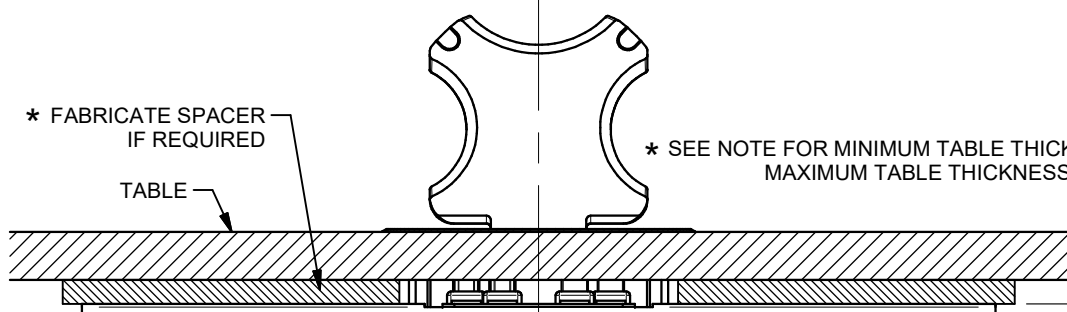
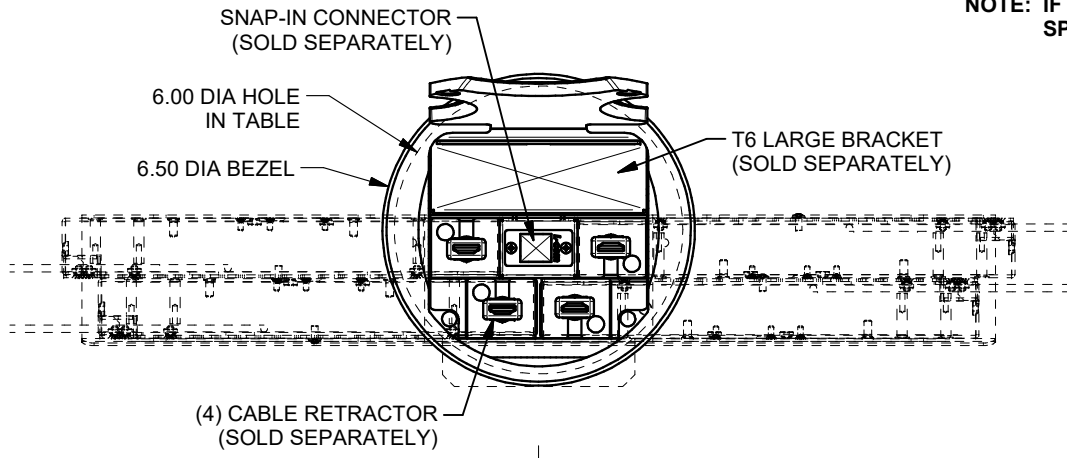
3

2

1

NOTE: IF DESK/TABLE IS LESS THAN MINIMUM THICKNESS SPECIFICATION, SPACERS MUST BE FABRICATED AND USED.

- * MINIMUM THICKNESS FOR ALL LP RETRACTORS EXCEPT FOR DISPLAY PORT: 1-1/8"
- * MINIMUM THICKNESS FOR DISPLAY PORT LP RETRACTOR: 1-1/2"



FSR inc.
 244 BERGEN BLVD.
 WOODLAND PARK, NJ 07424
 TEL (973) 785-4347
 FAX (973) 785-3318

TITLE: LP-T6		
DRAWN BY: JRE	DATE: 10/02/17	REV: -
DWG#: LP-T6	SCALE: -	

4

3

2

1

C

C

B

B

A

A