

4

3

2

1

SNAP-IN CONNECTOR  
(SOLD SEPARATELY)

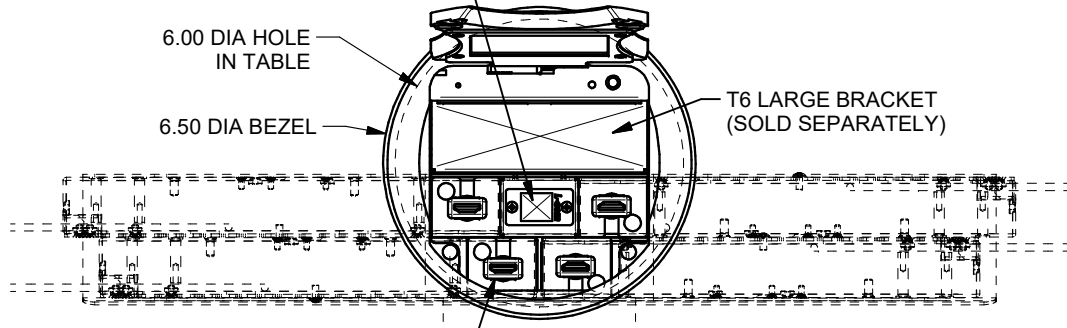
**CAUTION: IF DESK/TABLE IS LESS THAN MINIMUM THICKNESS SPECIFICATION,  
SPACERS MUST BE FABRICATED AND USED, OR SCREEN DAMAGE  
MAY RESULT.**

6.00 DIA HOLE  
IN TABLE

6.50 DIA BEZEL

T6 LARGE BRACKET  
(SOLD SEPARATELY)

- \* MINIMUM THICKNESS FOR ALL LP RETRACTORS EXCEPT FOR DISPLAY PORT: 1-1/8"
- \* MINIMUM THICKNESS FOR DISPLAY PORT LP RETRACTOR: 1-1/2"



(4) CABLE RETRACTOR  
(SOLD SEPARATELY)

\* FABRICATE SPACER  
IF REQUIRED

\* SEE NOTE FOR MINIMUM TABLE THICKNESS  
MAXIMUM TABLE THICKNESS 2-3/4"

TABLE

6" HOLE  
CENTERLINE

2.87 2.27

5.53

10.25

9.91

9.91

19.82

**FSR inc.**  
 244 BERGEN BLVD.  
 WOODLAND PARK, NJ 07424  
 TEL (973) 785-4347  
 FAX (973) 785-3318

TITLE: <b>LP-T6-FLEX</b>		
DRAWN BY: JRE	DATE: 10/02/17	REV: -
DWG#: LP-T6-FLEX	SCALE: -	

4

3

2

1

C

C

B

B

A

A