

4

3

2

1

C

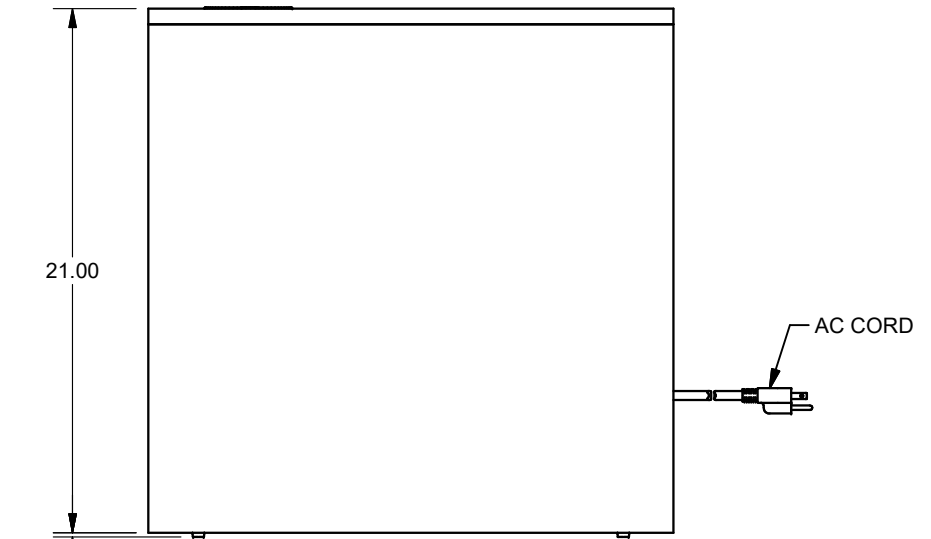
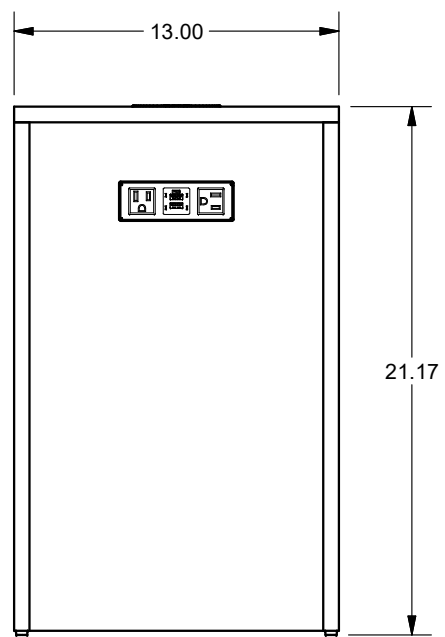
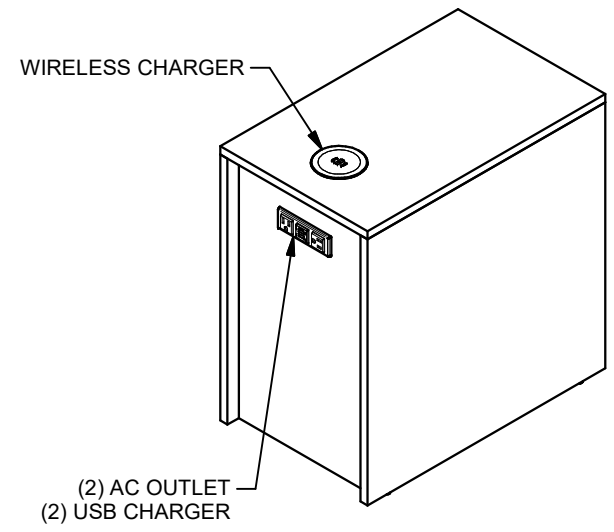
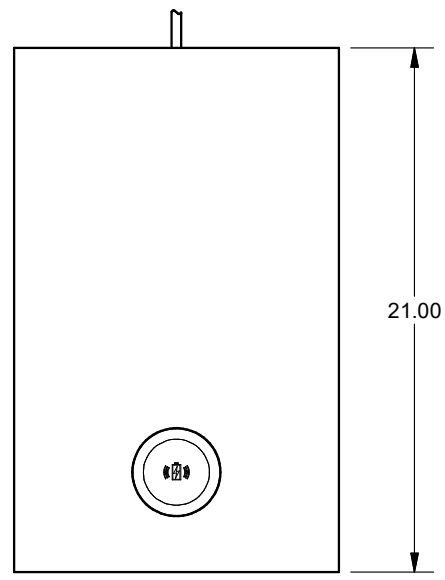
B

A

C

B

A



ORDER INFORMATION
 HBM-SM-XXX
 COLOR KEY:
 XXX - BLK (BLACK)
 WHT (WHITE)
 MPL (MAPLE)

FSR inc. <small>244 BERGEN BLVD. WOODLAND PARK, NJ 07424 TEL (973) 785-4347 FAX (973) 785-3318</small>	TITLE: HBM-SM		
	DRAWN BY: JRE	DATE: 10/02/17	REV: -
	DWG#: HBM-SM	SCALE: -	

4

3

2

1