

4

3

2

1

C

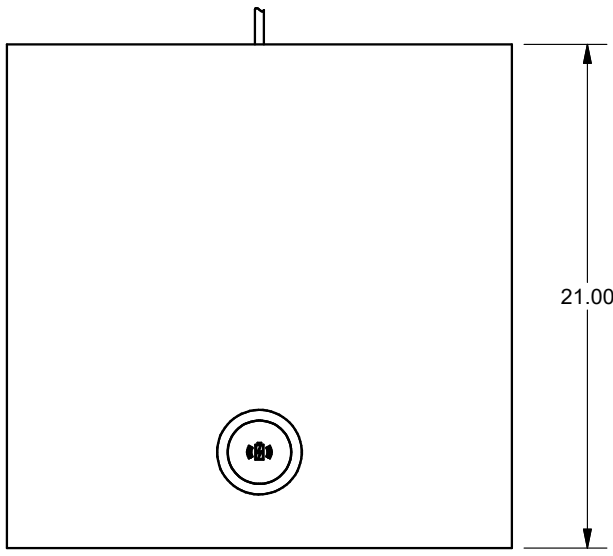
C

B

B

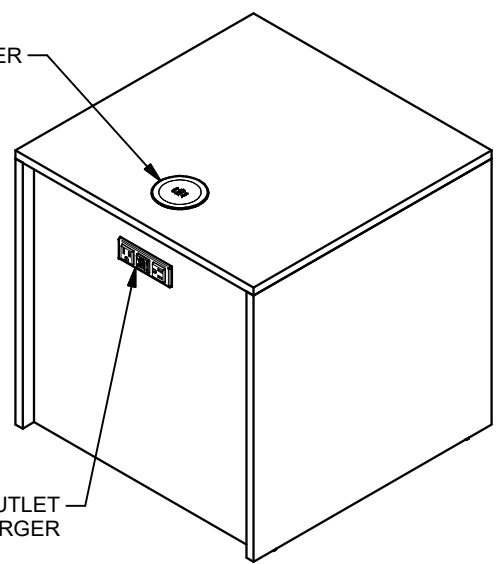
A

A

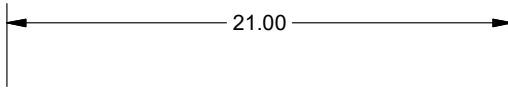


21.00

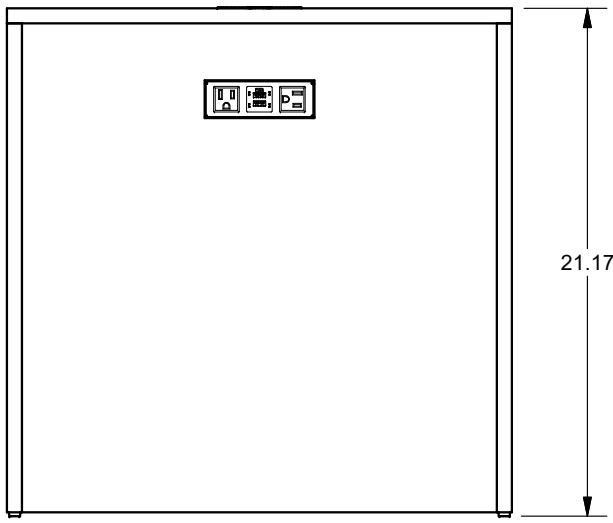
WIRELESS CHARGER



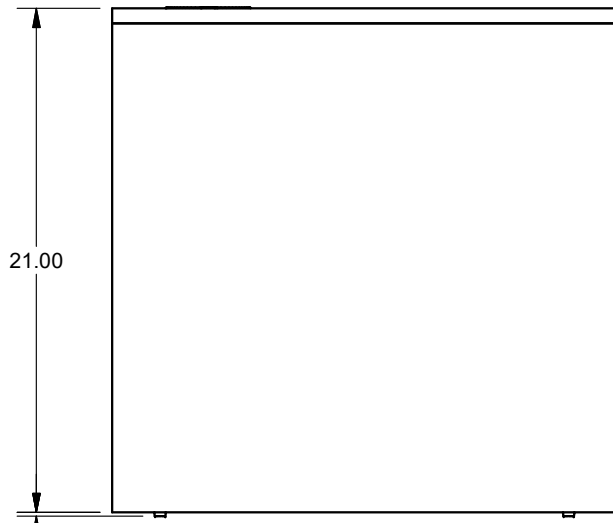
(2) AC OUTLET  
(2) USB CHARGER



21.00

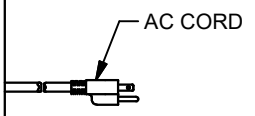


21.17



21.00

.17



AC CORD

**ORDER INFORMATION**

HBM-LG-XXX

**COLOR KEY:**

- XXX - BLK (BLACK)
- WHT (WHITE)
- MPL (MAPLE)

**FSR inc.**  
 244 BERGEN BLVD.  
 WOODLAND PARK, NJ 07424  
 TEL (973) 785-4347  
 FAX (973) 785-3318

TITLE: HBM-LG		
DRAWN BY: JRE	DATE: 10/02/17	REV: -
DWG#: HBM-LG	SCALE: -	

4

3

2

1