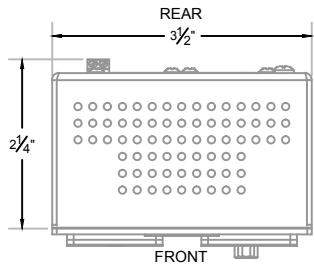
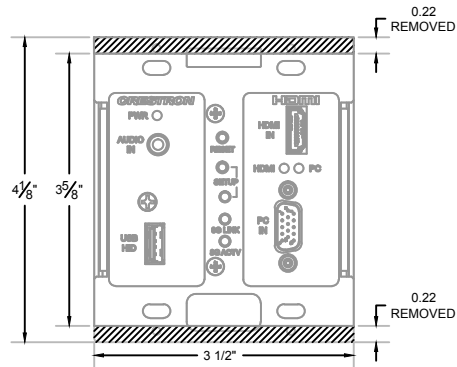


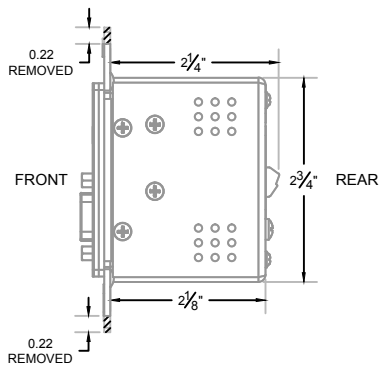
MODIFICATIONS REQUIRED TO
CRESTRON DM-TX-200-C-2G
DIGITAL MEDIA TRANSMITTER WALL PLATE



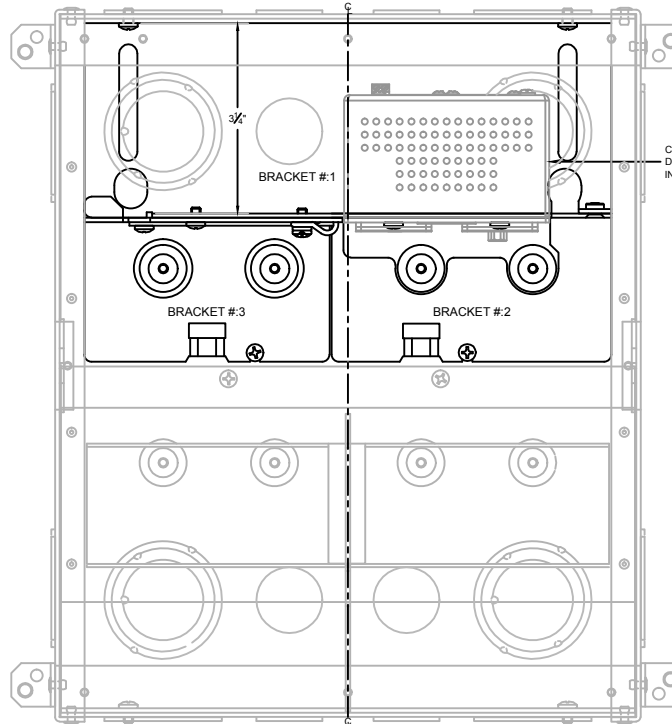
A CRESTRON DM-TX-200C-2G
TOP VIEW



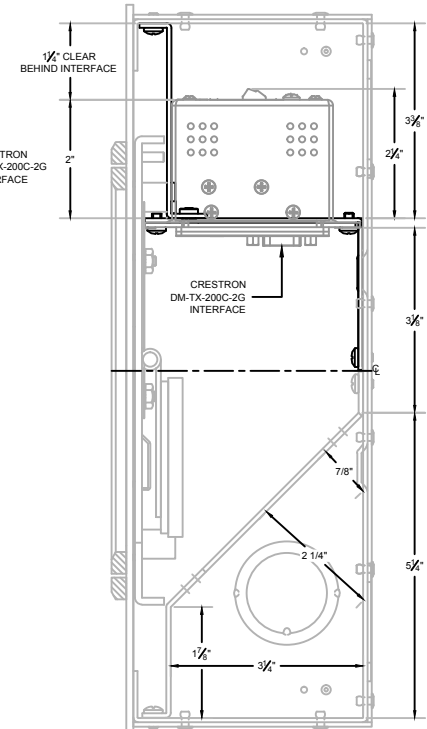
B CRESTRON DM-TX-200C-2G
FRONT VIEW



C CRESTRON DM-TX-200C-2G
SIDE VIEW

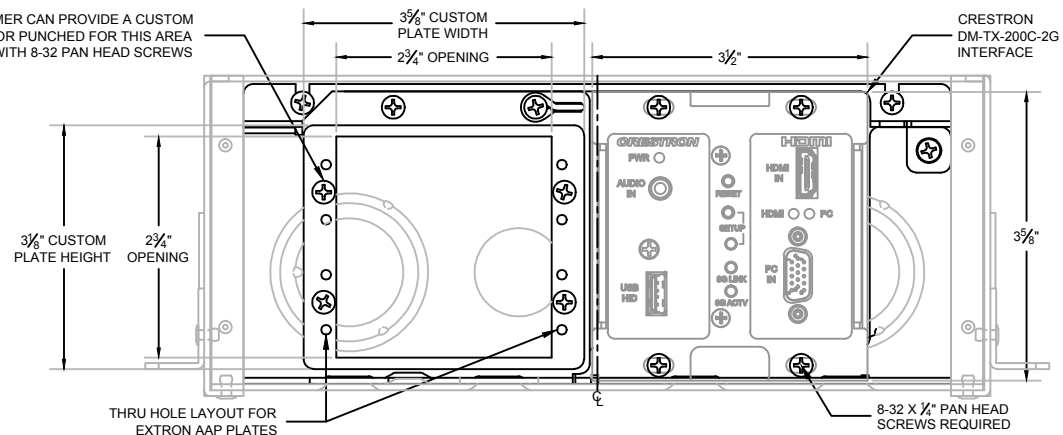


1 FSR FL-500P-4-B 4" DEEP FLOOR BOX
TOP VIEW



3 FSR FL-500P-4-B 4" DEEP FLOOR BOX
SECTION VIEW (SIDE)

CUSTOMER CAN PROVIDE A CUSTOM
PLATE BLANK OR PUNCHED FOR THIS AREA
AND ATTACH WITH 8-32 PAN HEAD SCREWS



2 FSR FL-500P-4-B 4" DEEP FLOOR BOX
SECTION VIEW (FRONT)

FSR P/N: 99509 FL-5X0P4-CRST-DMTX
FOR USING THE CRESTRON DM-TX-200-C-2G
DM INTERFACE WITH FL-500P-4-B / FL-540P-4-B
FLOOR BOXES

AFTER CRESTRON UNIT IS MODIFIED BY
REMOVING 0.22" FROM TOP & BOTTOM
OF THE MOUNTING PLATE FLANGE

REVISIONS			
REV	DATE	DESCRIPTION	REVISION BY:

<p>800-332-3771 (P) 973-785-4207 (F) www.fsrinc.com</p> <p>FSR Inc. 244 Bergen Blvd. Woodland Park, NJ 07424 USA</p>	DRAWING TITLE: FSR P/N: 99509 FL-5X0P4-CRST-DMTX FOR USING THE CRESTRON DM-TX-200-C-2G DM INTERFACE WITH FL-500P-4-B / FL-540P-4-B FLOOR BOXES	
	DRAWING #: 99509 DMTX SED	DATE: 07/08/2013
	REVISION #: 0	SCALE: Not To Scale
DRAWN BY: George V. Fournier Jr., CTS FSR Senior Sales Engineer		