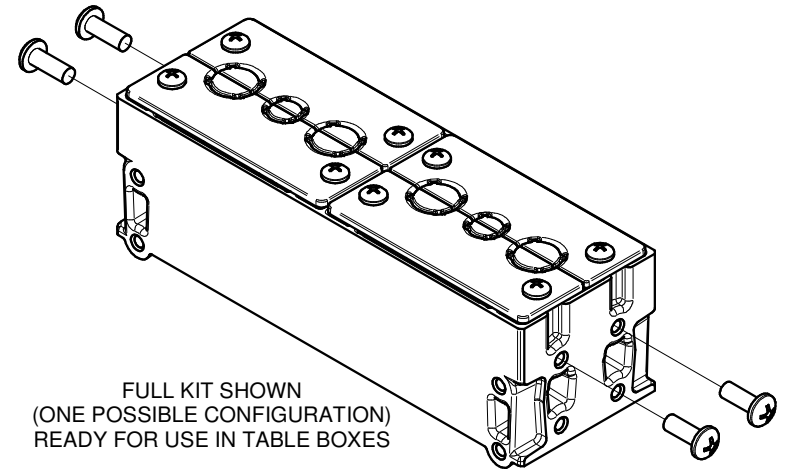
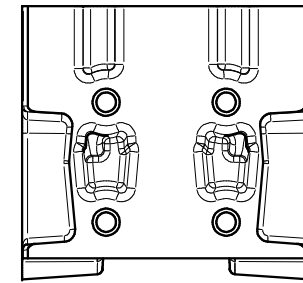


4 PLATES PROVIDED
(2 PLATES SHOWN
ON BRACKET)



FULL KIT SHOWN
(ONE POSSIBLE CONFIGURATION)
READY FOR USE IN TABLE BOXES



FSR inc.
244 BERGEN BLVD.
WOODLAND PARK, NJ 07424
TEL (973) 785-4347
FAX (973) 785-3318

TITLE:			T6-LB-UN		
DRAWN BY: JRE	DATE: 01/20/17	REV: -			
DWG#:	T6-LB-UN	SCALE: -			