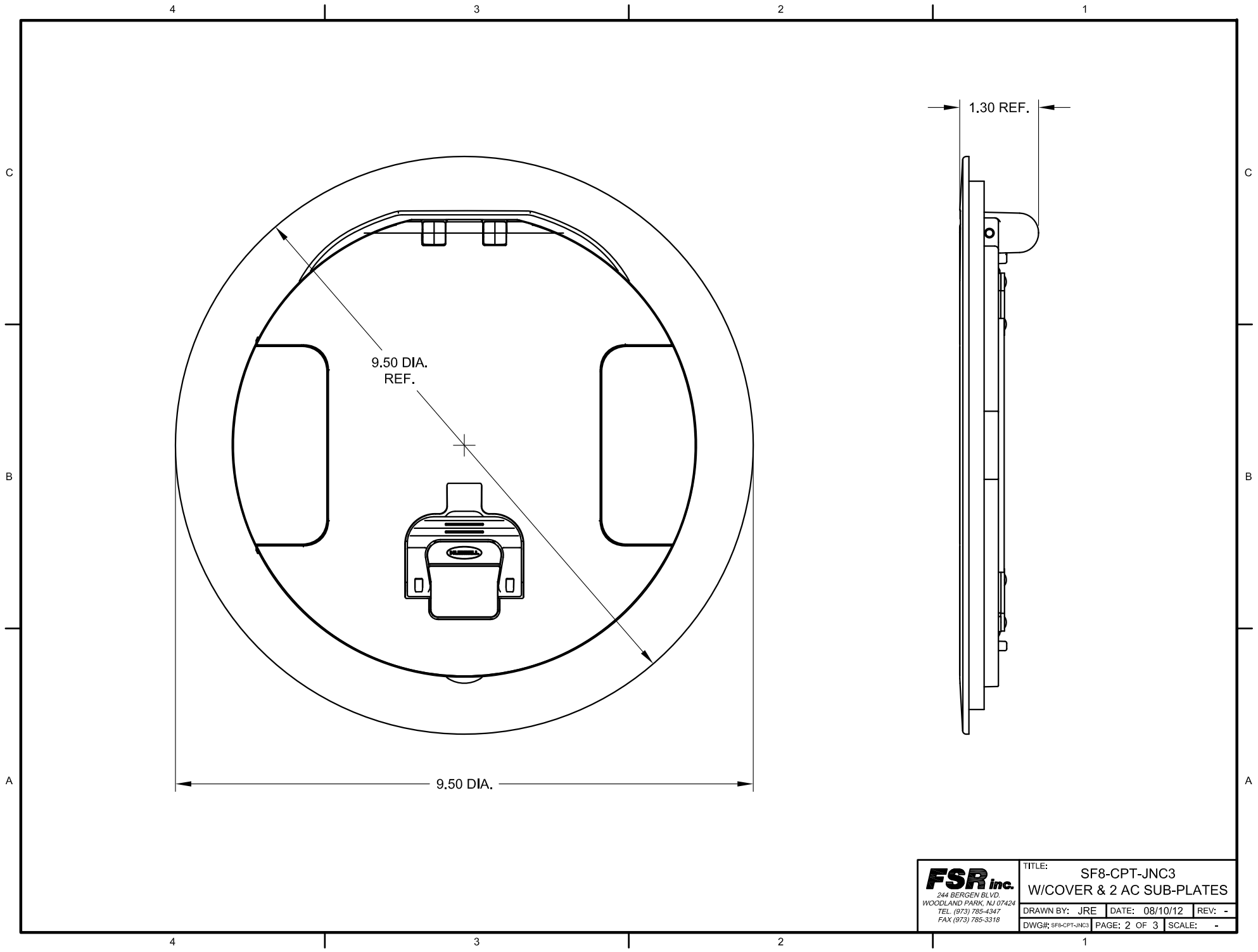


SF8-CPT-JNC3-ALM  
SF8-CPT-JNC3-BLK  
SF8-CPT-JNC3-BRS

**FSR inc.**  
244 BERGEN BLVD.  
WOODLAND PARK, NJ 07424  
TEL (973) 785-4347  
FAX (973) 785-3318

TITLE: SF8-CPT-JNC3 W/COVER & 2 AC SUB-PLATES		
DRAWN BY: JRE	DATE: 08/10/12	REV: -
DWG#: SF8-CPT-JNC3	PAGE: 1 OF 3	SCALE: -



**FSR inc.**  
 244 BERGEN BLVD.  
 WOODLAND PARK, NJ 07424  
 TEL (973) 785-4347  
 FAX (973) 785-3318

TITLE: SF8-CPT-JNC3 W/COVER & 2 AC SUB-PLATES		
DRAWN BY: JRE	DATE: 08/10/12	REV: -
DWG#: SF8-CPT-JNC3	PAGE: 2 OF 3	SCALE: -

4

3

2

1

C

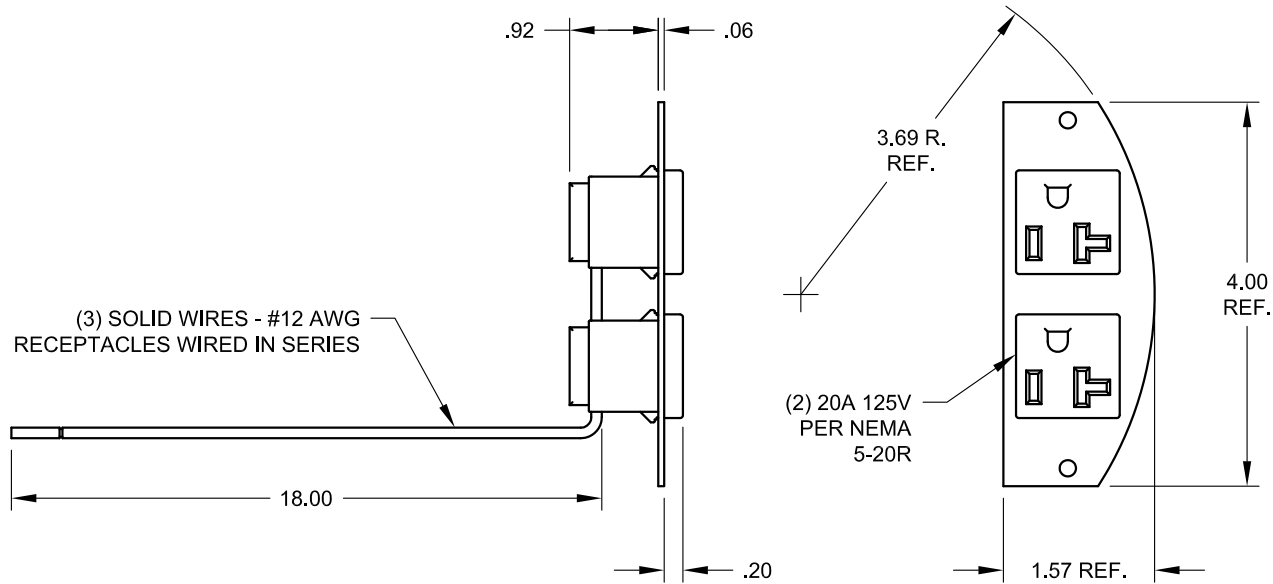
C

B

B

A

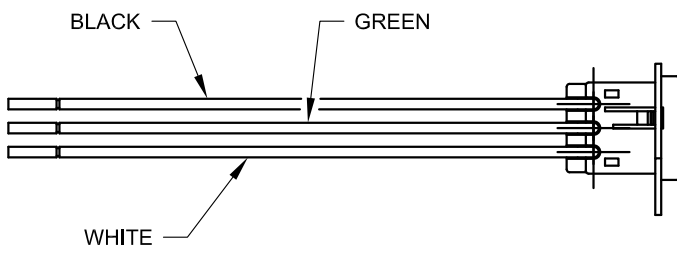
A



(3) SOLID WIRES - #12 AWG  
RECEPTACLES WIRED IN SERIES

3.69 R.  
REF.

(2) 20A 125V  
PER NEMA  
5-20R



BLACK

GREEN

WHITE

**FSR inc.**  
244 BERGEN BLVD.  
WOODLAND PARK, NJ 07424  
TEL (973) 785-4347  
FAX (973) 785-3318

TITLE: SF8-CPT-JNC3 W/COVER & 2 AC SUB-PLATES		
DRAWN BY: JRE	DATE: 08/10/12	REV: -
DWG#: SF8-CPT-JNC3	PAGE: 3 OF 3	SCALE: -

4

3

2

1