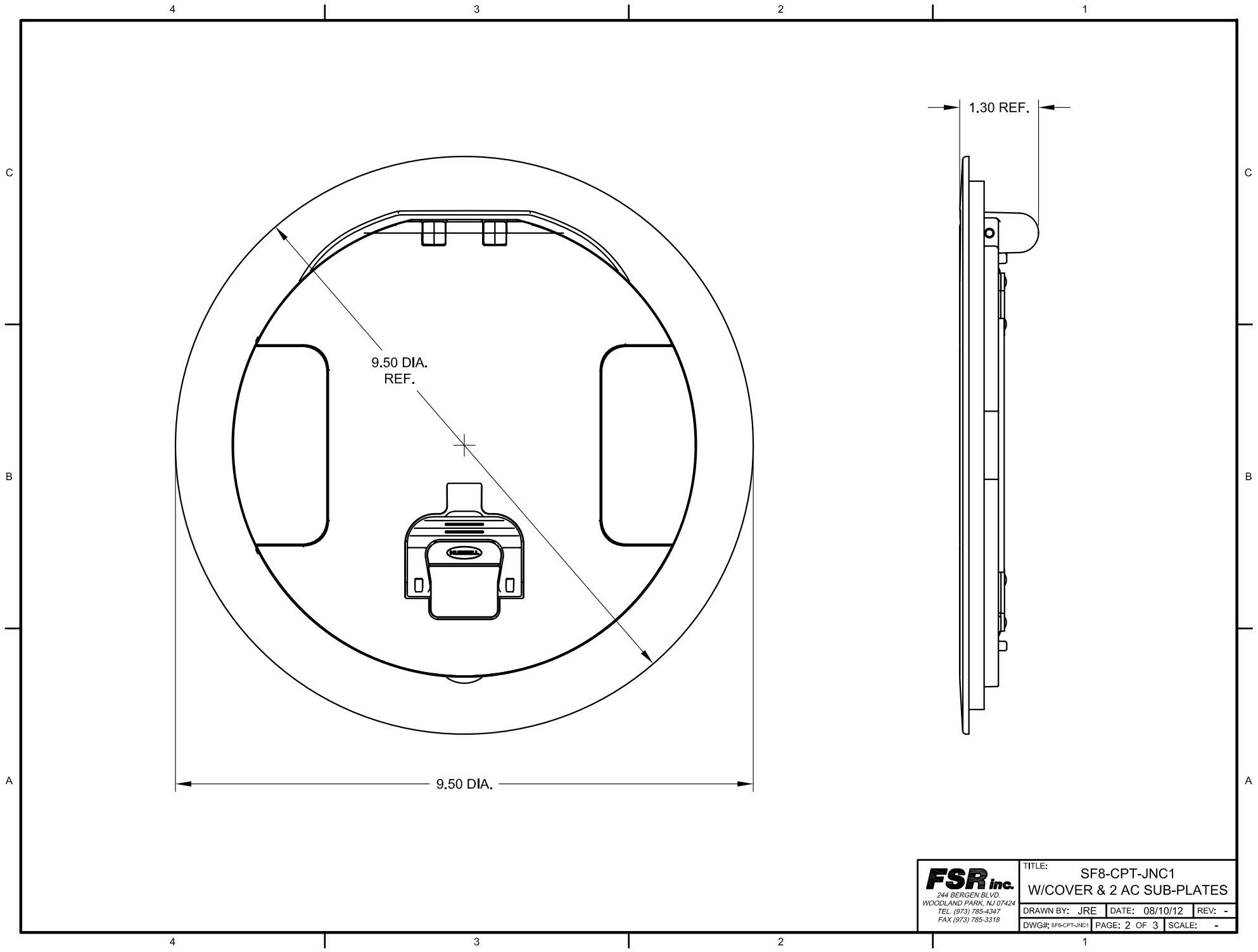


SF8-CPT-JNC1-ALM  
SF8-CPT-JNC1-BLK  
SF8-CPT-JNC1-BRS

**FSR inc.**  
244 BERGEN BLVD.  
WOODLAND PARK, NJ 07424  
TEL (973) 785-4347  
FAX (973) 785-3318

TITLE: SF8-CPT-JNC1 W/COVER & 2 AC SUB-PLATES		
DRAWN BY: JRE	DATE: 08/10/12	REV: -
DWG#: SF8-CPT-JNC1	PAGE: 1 OF 3	SCALE: -



<b>FSR inc.</b> <small>244 BERGEN BLVD.          WOODLAND PARK, NJ 07424          TEL (973) 785-4347          FAX (973) 785-3318</small>	TITLE: SF8-CPT-JNC1		
	W/COVER & 2 AC SUB-PLATES		
	DRAWN BY: JRE	DATE: 08/10/12	REV: -
	DWG#: SF8-CPT-JNC1	PAGE: 2 OF 3	SCALE: -

4

3

2

1

C

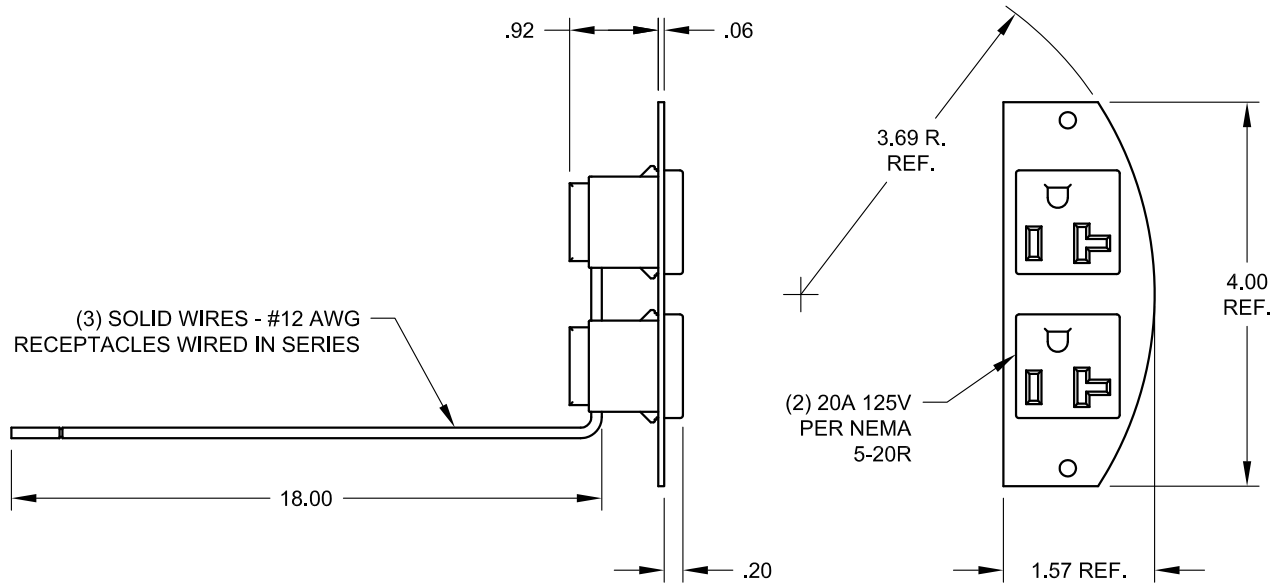
C

B

B

A

A



(3) SOLID WIRES - #12 AWG  
RECEPTACLES WIRED IN SERIES

BLACK GREEN

WHITE



**FSR inc.**  
244 BERGEN BLVD.  
WOODLAND PARK, NJ 07424  
TEL (973) 785-4347  
FAX (973) 785-3318

TITLE: SF8-CPT-JNC1 W/COVER & 2 AC SUB-PLATES		
DRAWN BY: JRE	DATE: 08/10/12	REV: -
DWG#: SF8-CPT-JNC1	PAGE: 3 OF 3	SCALE: -

4

3

2

1