

4

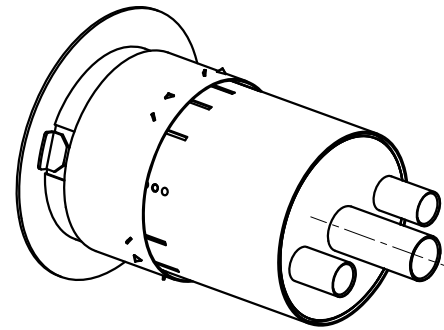
3

2

1

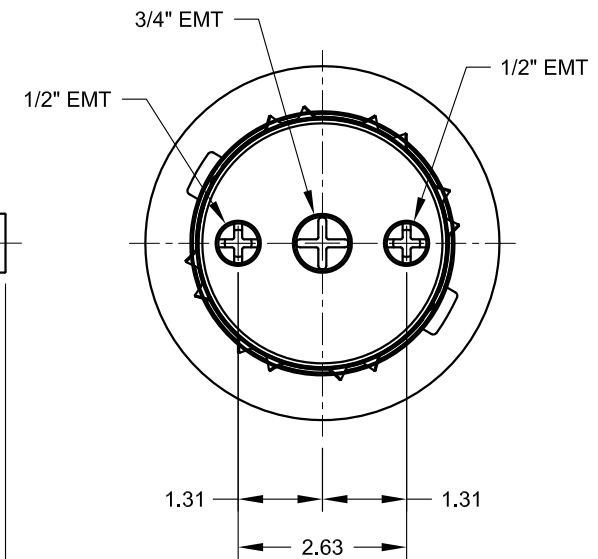
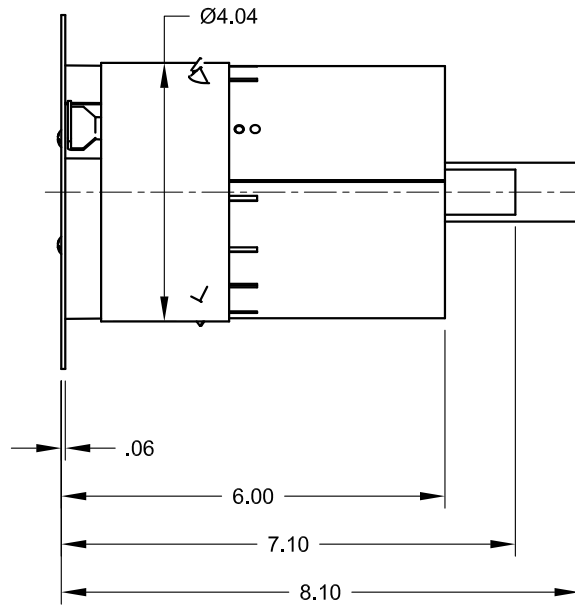
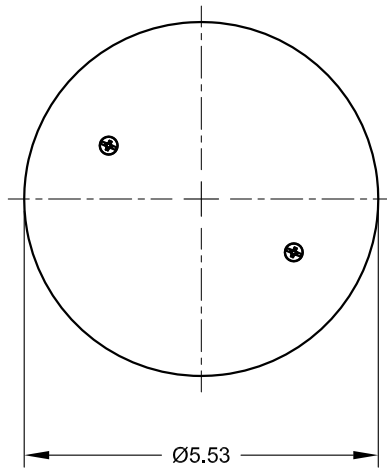
C

C



B

B



A

A

NOTES:

1. JUNCTION BOX IS INCLUDED WITH FLOOR FITTING. SEE SHEET 2 FOR JUNCTION BOX DIMENSIONS. JUNCTION BOX SHIPPED LOOSELY WITH UNIT.
2. FOR USE IN A 4.00" - 4.12" DIAMETER HOLE. MINIMUM THICKNESS OF CONCRETE 2.25".

FSR inc.
 244 BERGEN BLVD.
 WOODLAND PARK, NJ 07424
 TEL. (973) 785-4347
 FAX (973) 785-3318

TITLE:		
SF4 FLOOR BOX		
DRAWN BY: JRE	DATE: 03/08/16	REV: -
DWG#: SF4	PAGE: 1 OF 2	SCALE: 1:3

4

3

2

1

