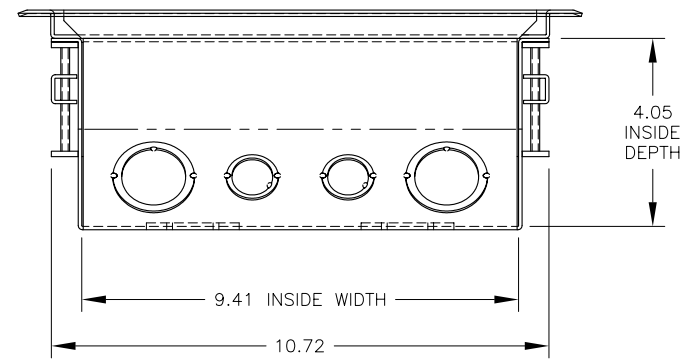
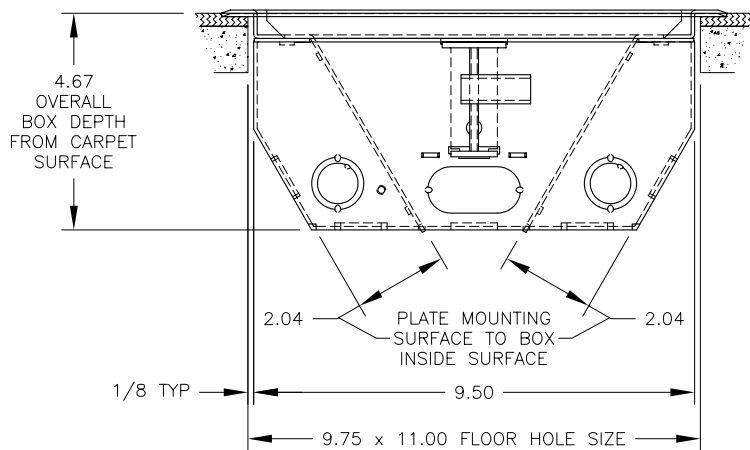
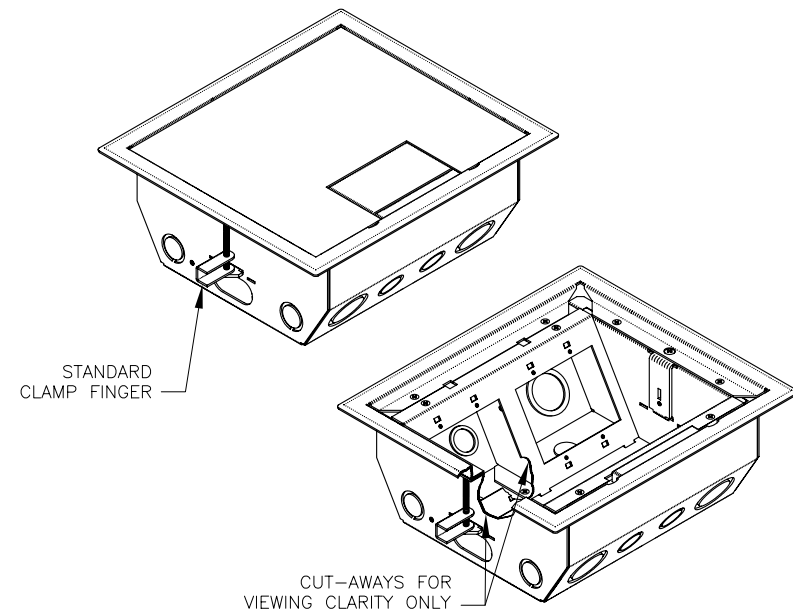
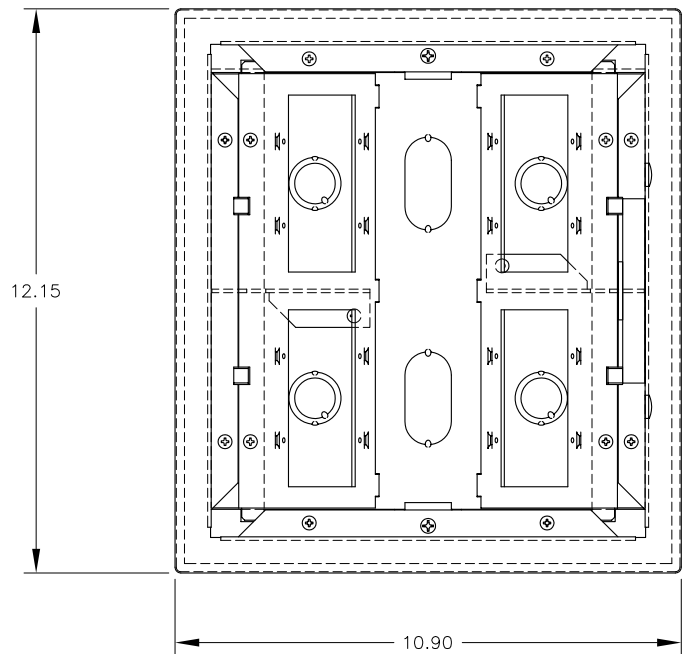


8 7 6 5 4 3 2 1

F  
E  
D  
C  
B  
A

F  
E  
D  
C  
B  
A



- NOTES:
1. REGULAR FLOOR THICKNESS RANGE: 13mm TO 52mm (.50" TO 2.06").
  2. UP TO 62mm (2.44") FLOOR THICKNESS POSSIBLE WITH OPTIONAL CLAMP FINGERS.
  3. RUBBER GROMMETS FOR LOW-VOLTAGE KNOCKOUTS ARE AVAILABLE FROM FSR.
  4. STANDARD PAINT COLORS (-XXX): GRAY (-GRY), BLACK (-BLK) AND BROWN (-CLY).
  5. TOTAL INTERIOR BOX VOLUME: 325 cu.in.
  6. DOUBLE-GANG-DEVICE COMPARTMENT VOLUME: 38 cu.in.

<b>FSR Inc.</b> 244 BERGEN BLVD. W. PATERSON, NJ 07424 TEL. (973) 785-4347 FAX (973) 785-3318	TITLE:	RFL Q-SIZE 4.5" DEEP FLAT-TOP SINGLE-ACCESS; 2-GANG PLATES
	DRAWN BY:	JRE
	DATE:	02/25/09
	REV:	01
DWG#:	RFL4.5-Q2G-SLXXX	SCALE: 1:2

8 7 6 5 4 3 2 1