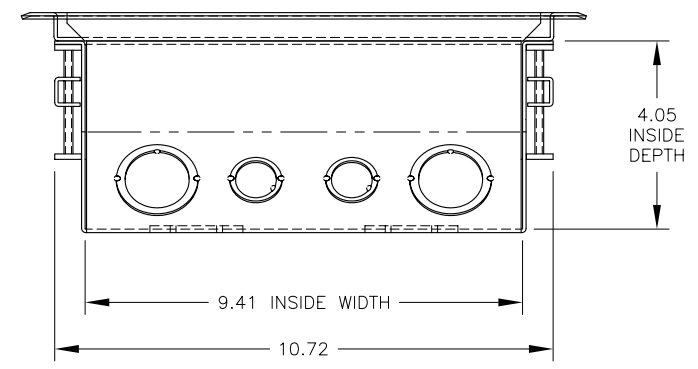
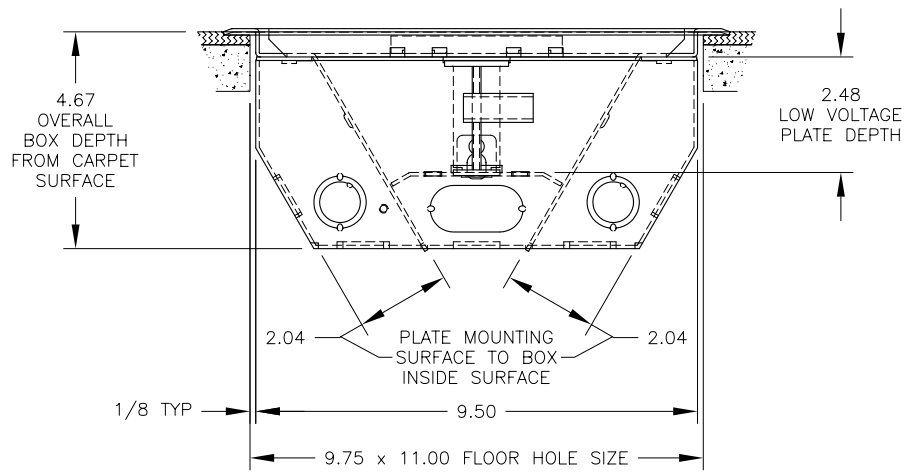
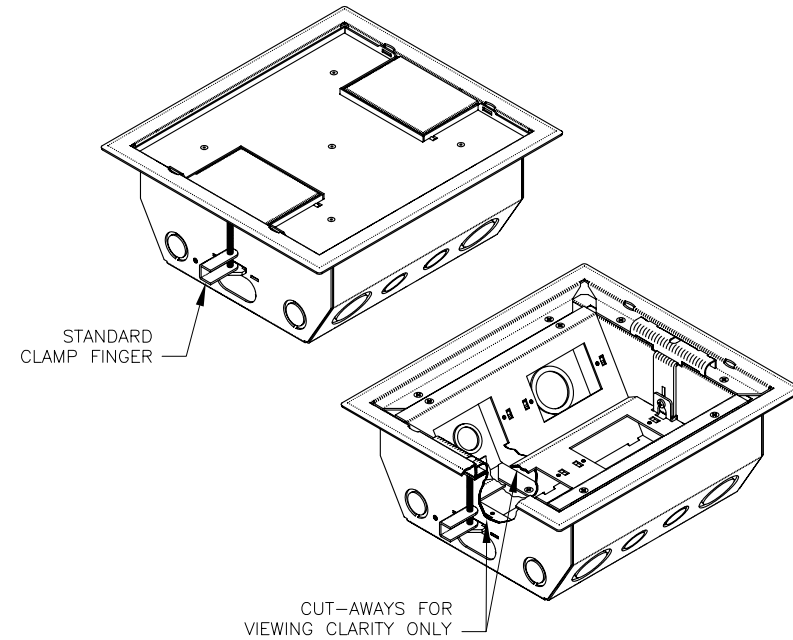
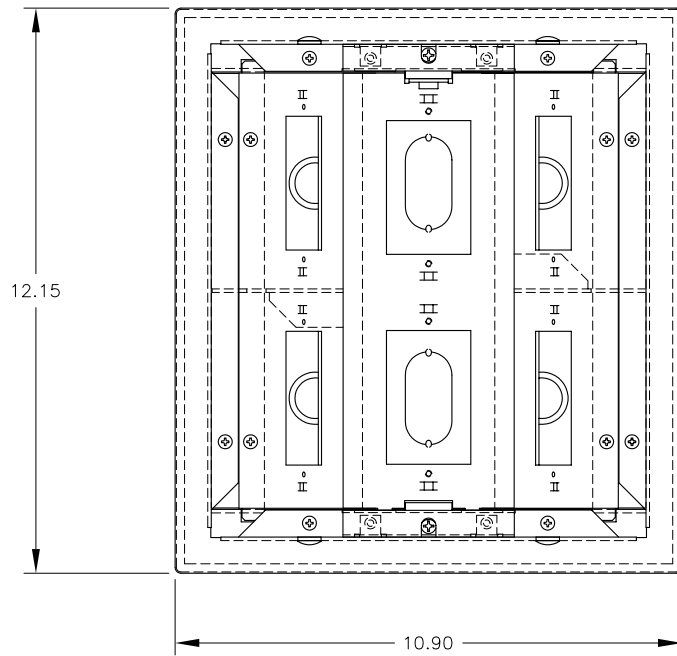


8 7 6 5 4 3 2 1

F
E
D
C
B
A

F
E
D
C
B
A



- NOTES:
1. REGULAR FLOOR THICKNESS RANGE: 13mm TO 52mm (.50" TO 2.06").
 2. UP TO 62mm (2.44") FLOOR THICKNESS POSSIBLE WITH OPTIONAL CLAMP FINGERS.
 3. RUBBER GROMMETS FOR LOW-VOLTAGE KNOCKOUTS ARE AVAILABLE FROM FSR.
 4. STANDARD PAINT COLORS (-XXX): GRAY (-GRY), BLACK (-BLK) AND BROWN (-CLY).
 5. TOTAL INTERIOR BOX VOLUME: 325 cu.in.
 6. SINGLE-GANG-DEVICE COMPARTMENT VOLUME: 38 cu.in.
 7. LOW-VOLTAGE COMPARTMENT VOLUME: 42 cu.in.

FSR inc. 244 BERGEN BLVD. W. PATERSON, NJ 07424 TEL. (973) 785-4347 FAX (973) 785-3318	TITLE: RFL Q-SIZE 4.5" DEEP STANDARD-TOP DOUBLE-ACCESS; 1-GANG PLATES		
	DRAWN BY: JRE	DATE: 02/25/09	REV: 01
	DWG#: RFL4.5-Q1G-XXXDD SCALE: 1:2		

8 7 6 5 4 3 2 1