

6

5

4

3

2

1

D

C

B

A

D

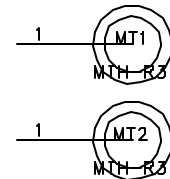
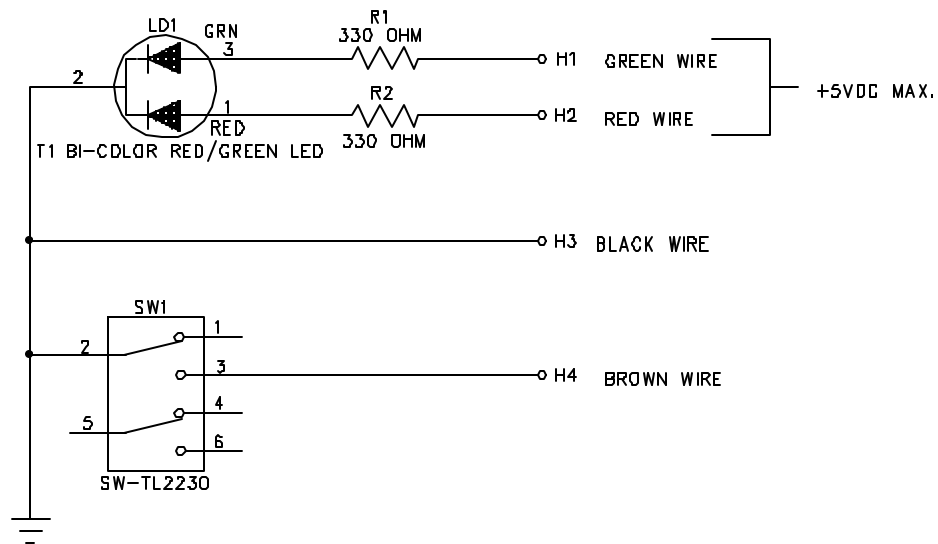
C

B

A

REVISION RECORD

LTR	ECO NO:	APPROVED.	DATE.



FSR Inc.
 244 BERGEN Blvd.
 W.Paterson, NJ 07424
 Tel : (973) 785-4347

The drawing and specifications, herein are the property of FSR Inc. and shall not be reproduced or copied or used in whole or in part as the basis for the manufacture or sale of items without written permission.

PCB NO : 26323	PCA# : 36387	TITLE: CUSTOM MIC MOUNT WITH BUTTON AND LAMP	
DRAWN: A.B.	DATED: 10-18-05	DRAWING NO. C-1029	REV: -
CHECKED:	DATED:	SIZE: A	SHEET: 1 OF 1
RELEASED:	DATED:	SCALE:	