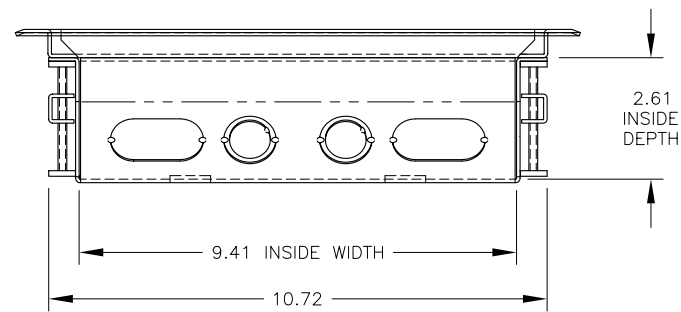
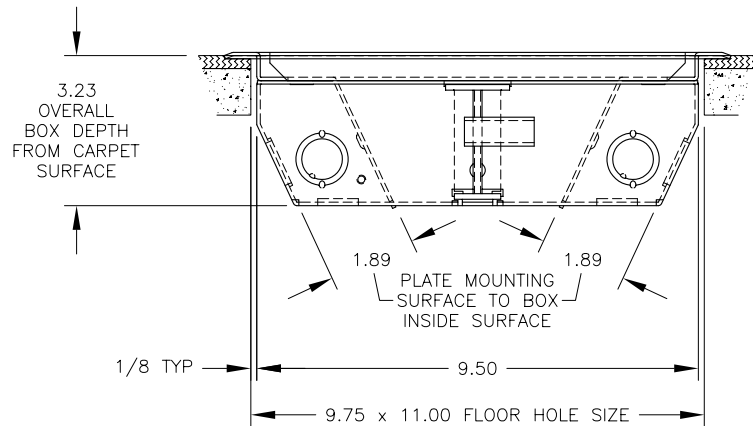
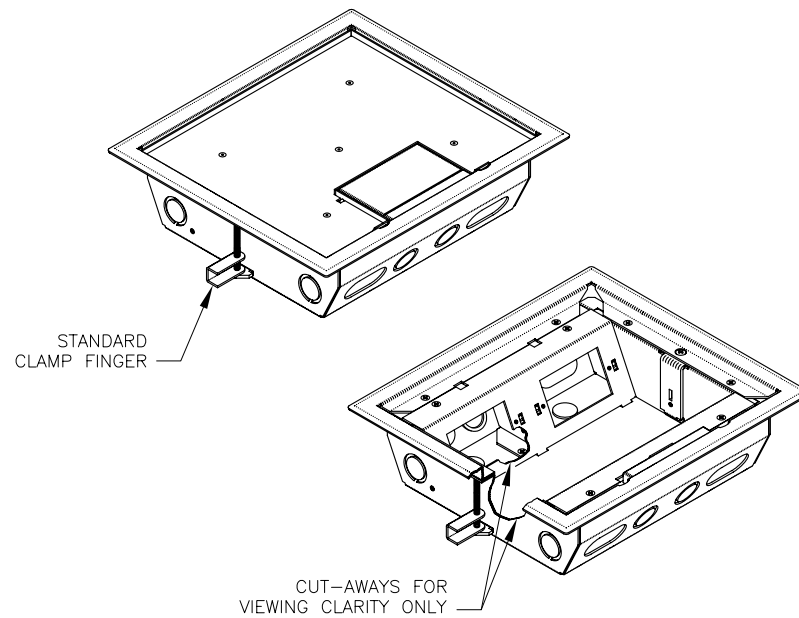
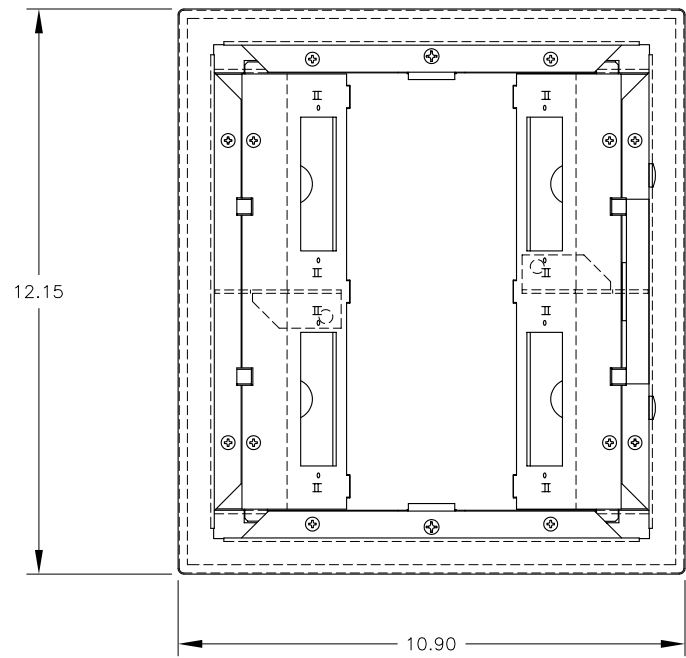


8 7 6 5 4 3 2 1

F
E
D
C
B
A



NOTES:

1. REGULAR FLOOR THICKNESS RANGE: 13mm TO 52mm (.50" TO 2.06").
2. UP TO 62mm (2.44") FLOOR THICKNESS POSSIBLE WITH OPTIONAL CLAMP FINGERS.
3. RUBBER GROMMETS FOR LOW-VOLTAGE KNOCKOUTS ARE AVAILABLE FROM FSR.
4. STANDARD PAINT COLORS (-XXX): GRAY (-GRY), BLACK (-BLK) AND BROWN (-CLY).
5. TOTAL INTERIOR BOX VOLUME: 210 cu.in.
6. SINGLE-GANG-DEVICE COMPARTMENT VOLUME: 23 cu.in.

FSR inc. 244 BERGEN BLVD. W. PATERSON, NJ 07424 TEL. (973) 785-4347 FAX (973) 785-3318	TITLE:	RFL Q-SIZE 3" DEEP STANDARD-TOP SINGLE-ACCESS; 1-GANG PLATES
	DRAWN BY:	JRE DATE: 02/25/09 REV: 01
	DWG#:	RFL3-Q1G-XXX SCALE: 1:2

8 7 6 5 4 3 2 1