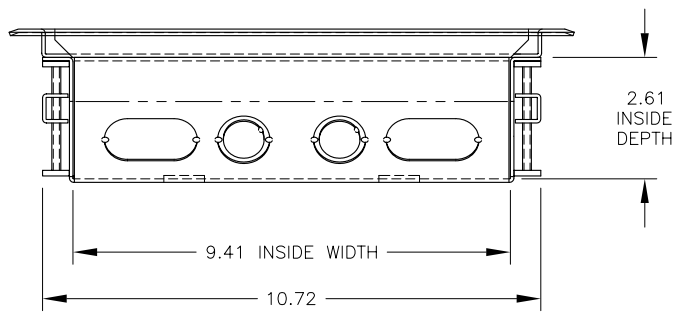
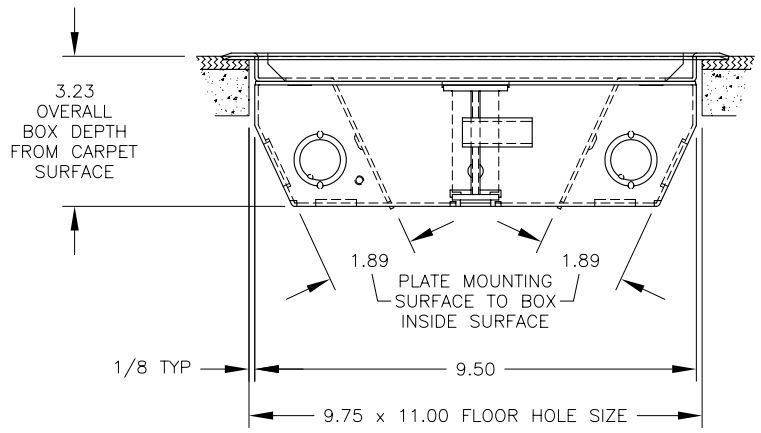
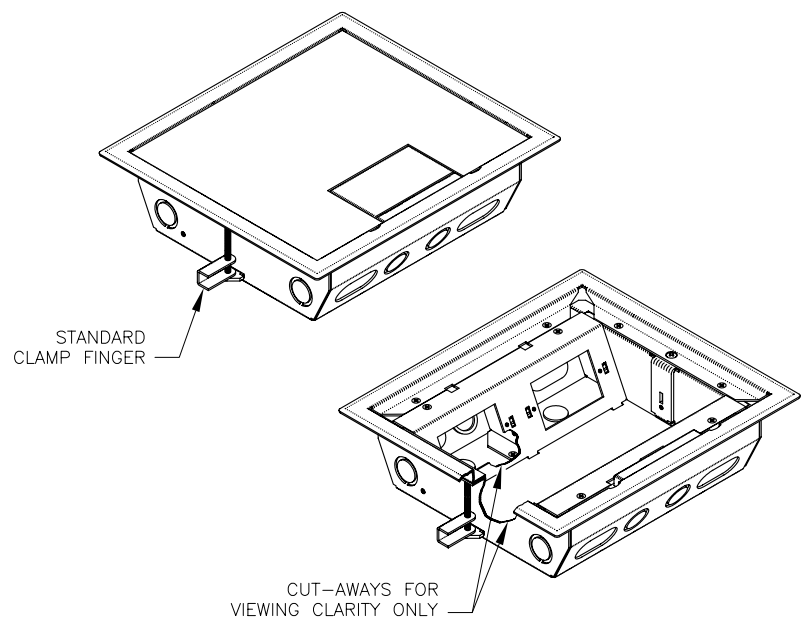
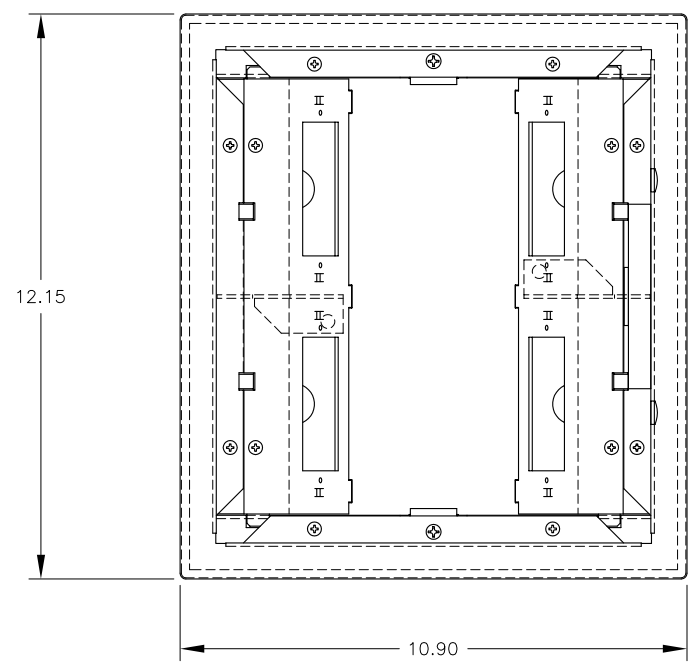


8 7 6 5 4 3 2 1

F
E
D
C
B
A



- NOTES:
1. REGULAR FLOOR THICKNESS RANGE: 13mm TO 52mm (.50" TO 2.06").
 2. UP TO 62mm (2.44") FLOOR THICKNESS POSSIBLE WITH OPTIONAL CLAMP FINGERS.
 3. RUBBER GROMMETS FOR LOW-VOLTAGE KNOCKOUTS ARE AVAILABLE FROM FSR.
 4. STANDARD PAINT COLORS (-XXX): GRAY (-GRY), BLACK (-BLK) AND BROWN (-CLY).
 5. TOTAL INTERIOR BOX VOLUME: 210 cu.in.
 6. SINGLE-GANG-DEVICE COMPARTMENT VOLUME: 23 cu.in.

| | | |
|---|---------------|---|
| FSR inc. 244 BERGEN BLVD. W. PATERSON, NJ 07424 TEL. (973) 785-4347 FAX (973) 785-3318 | TITLE: | RFL Q-SIZE 3" DEEP FLAT-TOP SINGLE-ACCESS; 1-GANG PLATES |
| | DRAWN BY: JRE | DATE: 02/25/09 |
| DWG#: | | RFL3-Q1G-SLXXX |
| | | SCALE: 1:2 |

8 7 6 5 4 3 2 1