

8 7 6 5 4 3 2 1

F

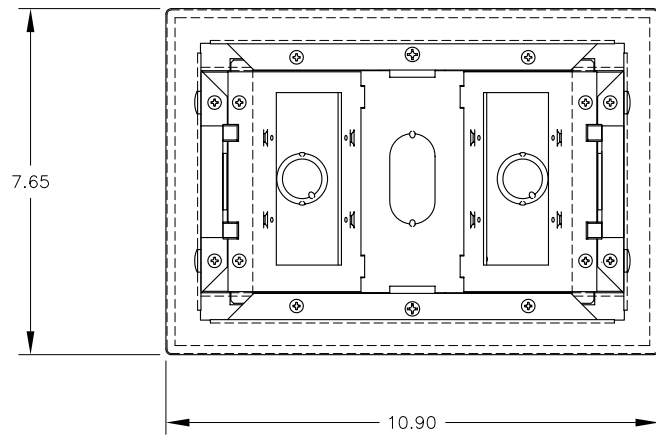
E

D

C

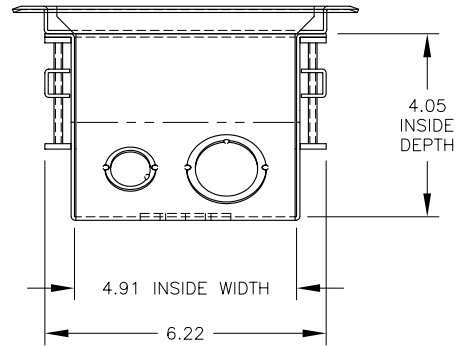
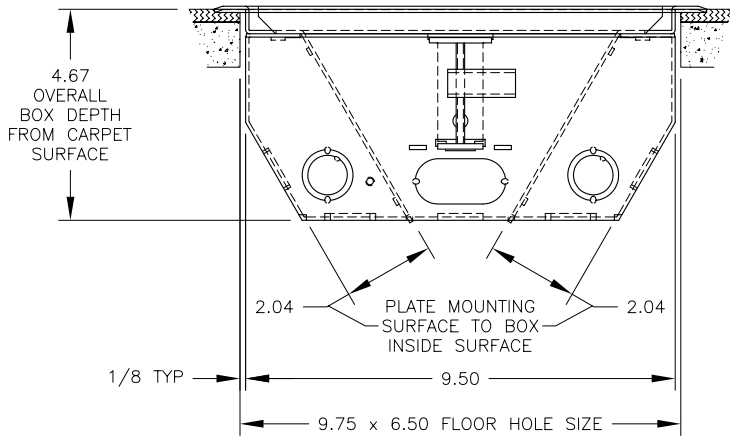
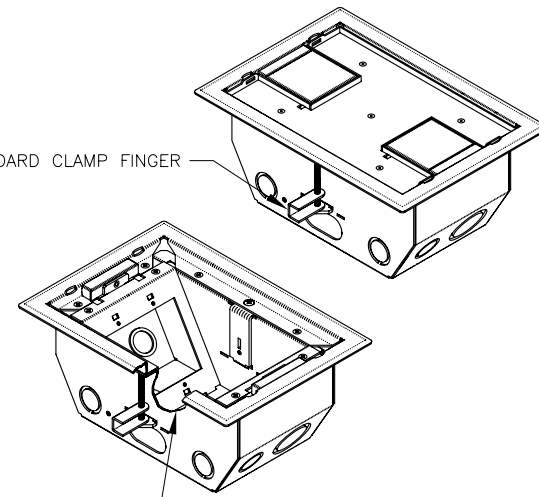
B

A



STANDARD CLAMP FINGER

CUT-AWAYS FOR VIEWING CLARITY ONLY



- NOTES:
1. REGULAR FLOOR THICKNESS RANGE: 13mm TO 52mm (.50" TO 2.06").
 2. UP TO 62mm (2.44") FLOOR THICKNESS POSSIBLE WITH OPTIONAL CLAMP FINGERS.
 3. RUBBER GROMMETS FOR LOW-VOLTAGE KNOCKOUTS ARE AVAILABLE FROM FSR.
 4. STANDARD PAINT COLORS (-XXX): GRAY (-GRY), BLACK (-BLK) AND BROWN (-CLY).
 5. TOTAL INTERIOR BOX VOLUME: 169 cu.in.
 6. DOUBLE-GANG-DEVICE COMPARTMENT VOLUME: 39 cu.in.

<p>FSR Inc. 244 BERGEN BLVD. W. PATERSON, NJ 07424 TEL. (973) 785-4347 FAX (973) 785-3318</p>	<p>TITLE: RFL D-SIZE 4.5" DEEP STANDARD-TOP DOUBLE-ACCESS; 2-GANG PLATES</p>		
	<p>DRAWN BY: JRE</p>	<p>DATE: 02/25/09</p>	<p>REV: 01</p>
	<p>DWG#: RFL4.5-D2G-XXXDD SCALE: 1:2</p>		

8 7 6 5 4 3 2 1