

8 | 7 | 6 | 5 | 4 | 3 | 2 | 1

F

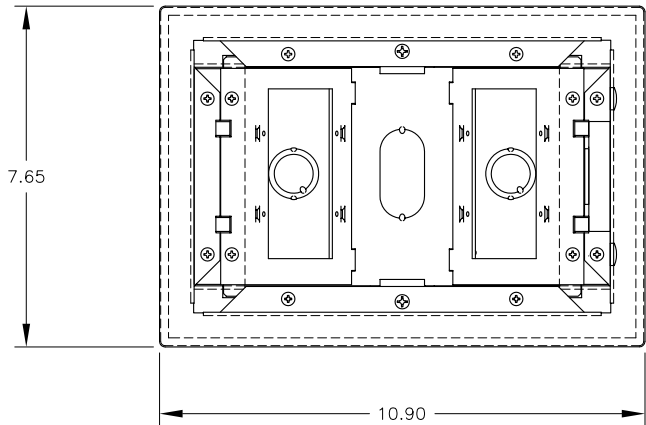
E

D

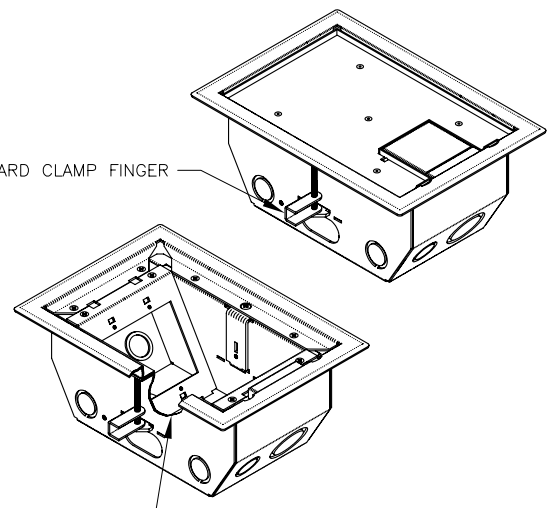
C

B

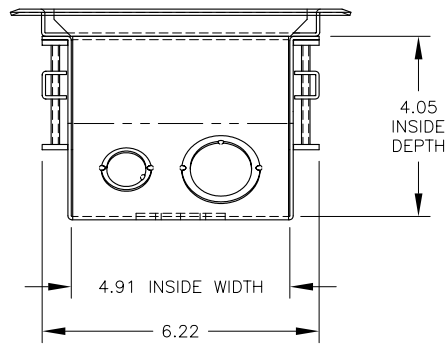
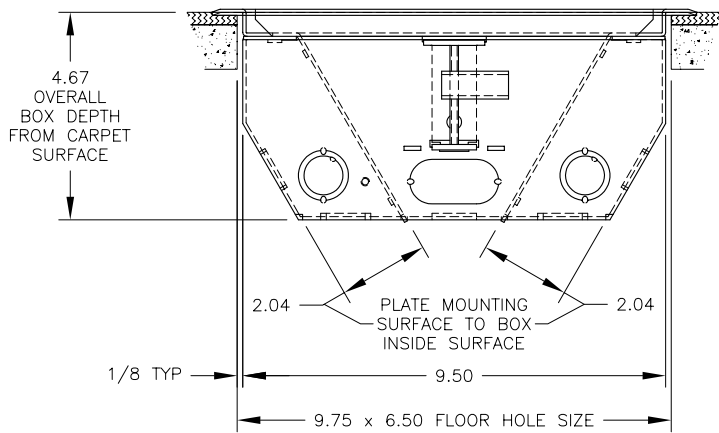
A



STANDARD CLAMP FINGER



CUT-AWAYS FOR VIEWING CLARITY ONLY



- NOTES:
1. REGULAR FLOOR THICKNESS RANGE: 13mm TO 52mm (.50" TO 2.06").
  2. UP TO 62mm (2.44") FLOOR THICKNESS POSSIBLE WITH OPTIONAL CLAMP FINGERS.
  3. RUBBER GROMMETS FOR LOW-VOLTAGE KNOCKOUTS ARE AVAILABLE FROM FSR.
  4. STANDARD PAINT COLORS (-XXX): GRAY (-GRY), BLACK (-BLK) AND BROWN (-CLY).
  5. TOTAL INTERIOR BOX VOLUME: 169 cu.in.
  6. DOUBLE-GANG-DEVICE COMPARTMENT VOLUME: 39 cu.in.

<b>FSR</b> 244 BERGEN BLVD. W. PATERSON, NJ 07424 TEL (973) 785-4347 FAX (973) 785-3318	TITLE: RFL D-SIZE 4.5" DEEP STANDARD-TOP SINGLE-ACCESS; 2-GANG PLATES		
	DRAWN BY: JRE	DATE: 02/25/09	REV: 01
	DWG#: RFL4.5-D2G-XXX		
	SCALE: 1:2		

8 | 7 | 6 | 5 | 4 | 3 | 2 | 1