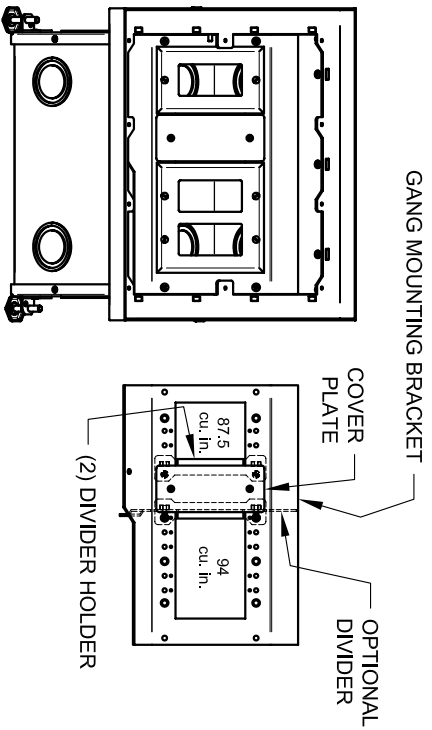


**FSR** inc.  
 244 BERGEN BLVD.  
 W. PATERSON, NJ 07424  
 TEL. (973) 785-4347  
 FAX (973) 785-3318

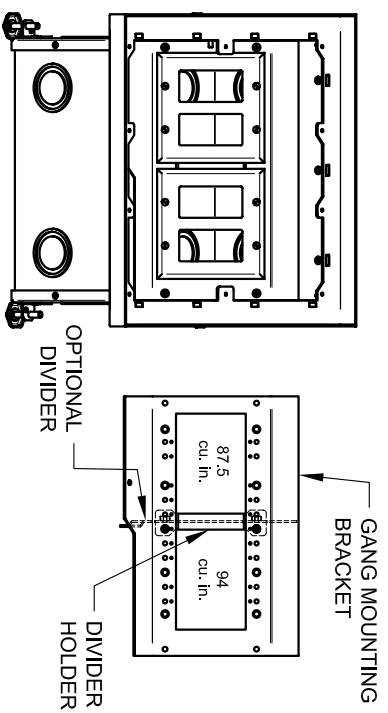
TITLE: FLH20 TILE/STONE/WOOD FLOOR BOX		
DRAWN BY: JRE	DATE: 07/11/08	REV: 01
DWG#: FLH20 (TSW)	PAGE: 1 OF 3	SCALE: 1:5

# POSSIBLE GANG MOUNTING BRACKET CONFIGURATIONS

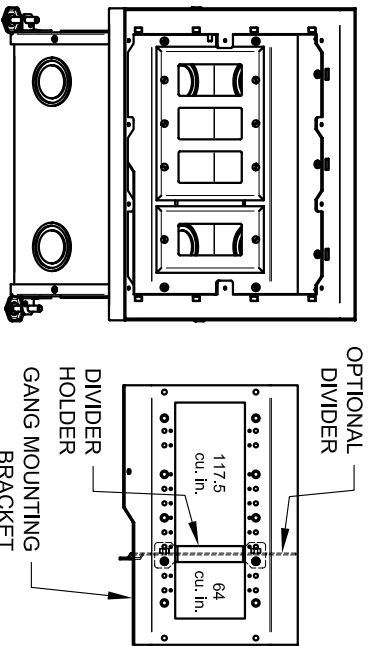
\* DECORA WALL PLATES SHOWN AS REFERENCE AND NOT INCLUDED \*



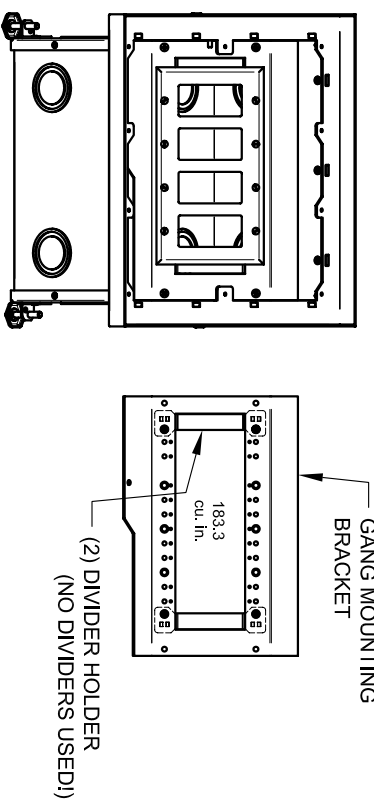
1-GANG/2-GANG CONFIGURATION  
(2-GANG/1-GANG ALSO POSSIBLE)



2-GANG/2-GANG CONFIGURATION

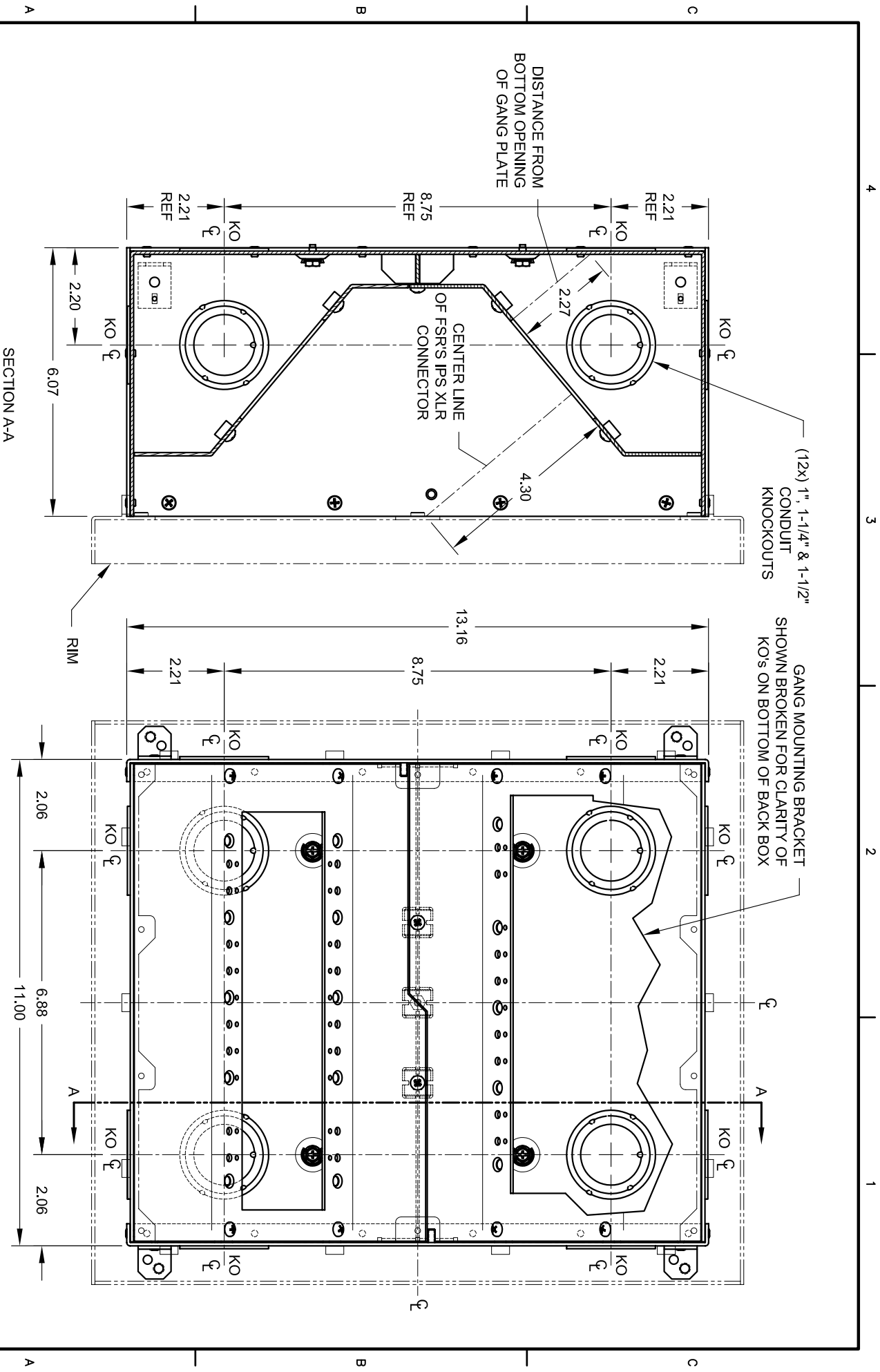


3-GANG/1-GANG CONFIGURATION  
(1-GANG/3-GANG ALSO POSSIBLE)



4-GANG CONFIGURATION

<p>244 BERGEN BLVD FAIRVIEW, NJ 07424 TEL: (201) 798-3319 FAX: (201) 798-3318</p>	TITLE:	FLH20 TILE/STONE/WOOD FLOOR BOX
	DRAWN BY:	JRE DATE: 07/11/08 REV: 01
DWG#:	FLH20 (SM) PAGE: 2 OF 3 SCALE: 1:8	



NOTE: BACK BOX IS SYMMETRICAL ABOUT THE CENTER LINES.

SECTION A-A

	<b>TITLE:</b> FLH20 TILE/STONE/WOOD FLOOR BOX	
	<b>DRAWN BY:</b> JRE	<b>DATE:</b> 07/11/08
<b>DATE:</b> 07/11/08	<b>REV:</b> 01	<b>SCALE:</b> 1:3
<b>DWG#:</b> FLH20 (GSM)	<b>PAGE:</b> 3 OF 3	

444 BERGEN BLVD.  
 W. PATTERSON, NJ 07644  
 TEL: (973) 728-3318  
 FAX: (973) 728-3319