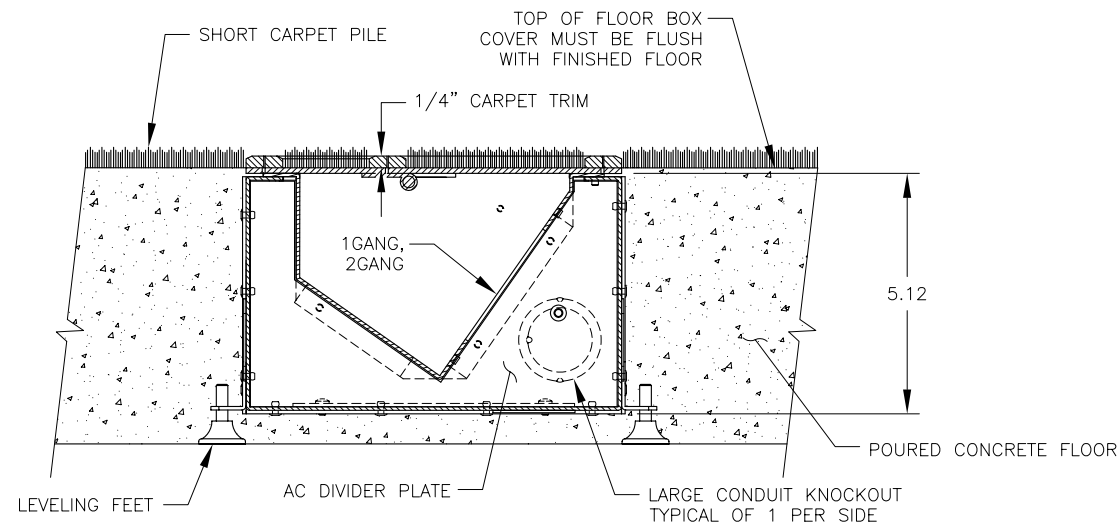
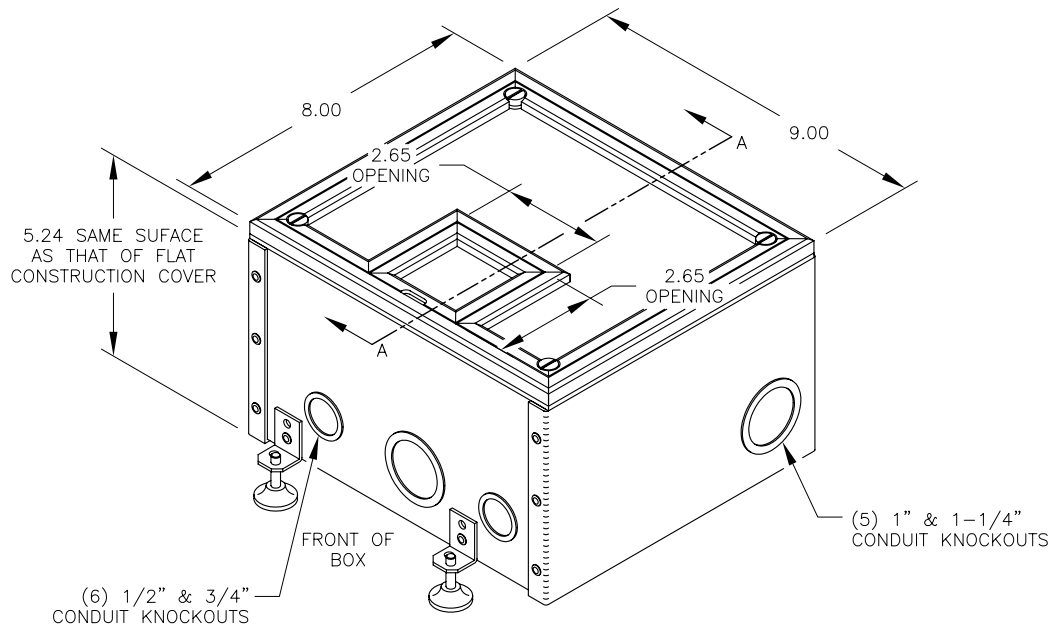


8 7 6 5 4 3 2 1

F
E
D
C
B
A



SEE DRAWING FL-710 FOR CONNECTOR CLEARANCES AND KNOCKOUT LOCATIONS.

SECTION A-A

FSR inc. 244 BERGEN BLVD. W. PATERSON, NJ 07424 TEL. (973) 785-4347 FAX (973) 785-3318	TITLE: INSTALLATION CROSS SECTION		
	WTFL-710		
	DRAWN BY: JRE	DATE: 07/01/05	REV: -
	DWG#: FL-710-ISO	SCALE: 1:2	

8 7 6 5 4 3 2 1