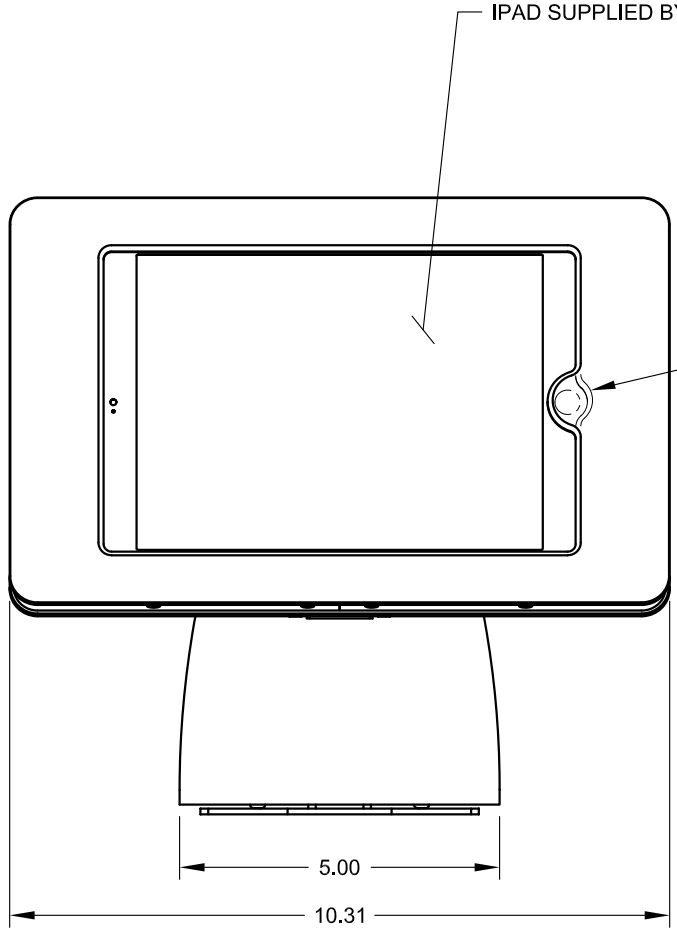


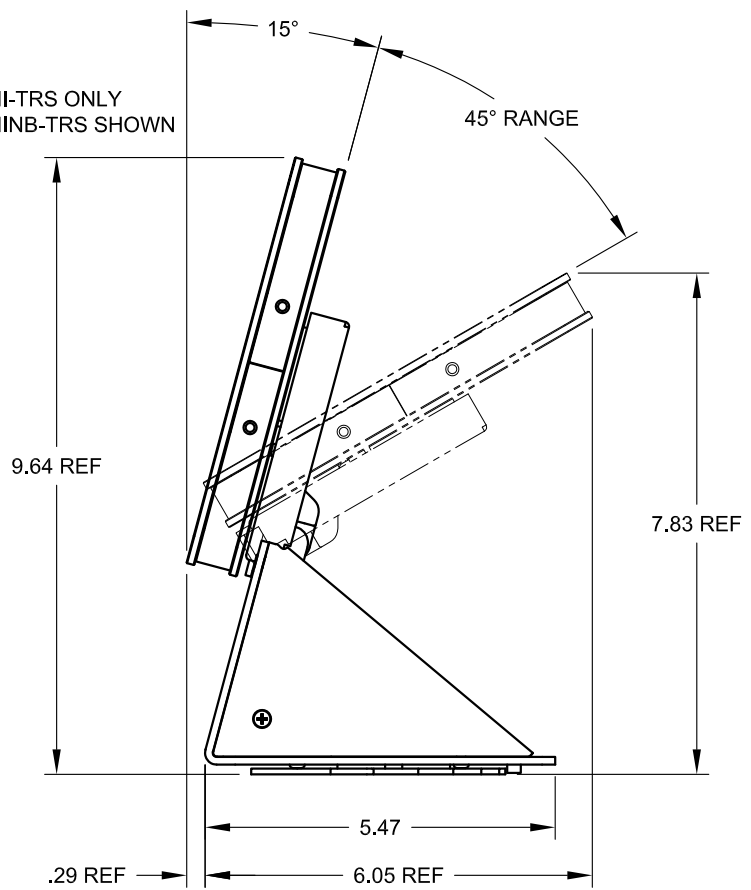
TM-IPMINI-TRS  
TM-IPMINIB-TRS

**FSR inc.**  
244 BERGEN BLVD.  
WOODLAND PARK, NJ 07424  
TEL (973) 785-4347  
FAX (973) 785-3318

TITLE: SCREW-MOUNTED SWIVEL TABLE MOUNT IPAD-MINI		
DRAWN BY: JRE	DATE: 05/07/13	REV: -
DWG#: TM-IPMINI-TRS	PAGE: 1 OF 2	SCALE: -



TM-IPMINI-TRS ONLY  
TM-IPMININB-TRS SHOWN



TM-IPMINI-TRS  
TM-IPMININB-TRS

**FSR inc.**  
244 BERGEN BLVD.  
WOODLAND PARK, NJ 07424  
TEL (973) 785-4347  
FAX (973) 785-3318

TITLE: SCREW-MOUNTED SWIVEL TABLE MOUNT IPAD-MINI			
DRAWN BY: JRE	DATE: 05/07/13	REV: -	
DWG#: TM-IPMINI-TRS	PAGE: 2 OF 2	SCALE: -	