

3

2

1

D

D

C

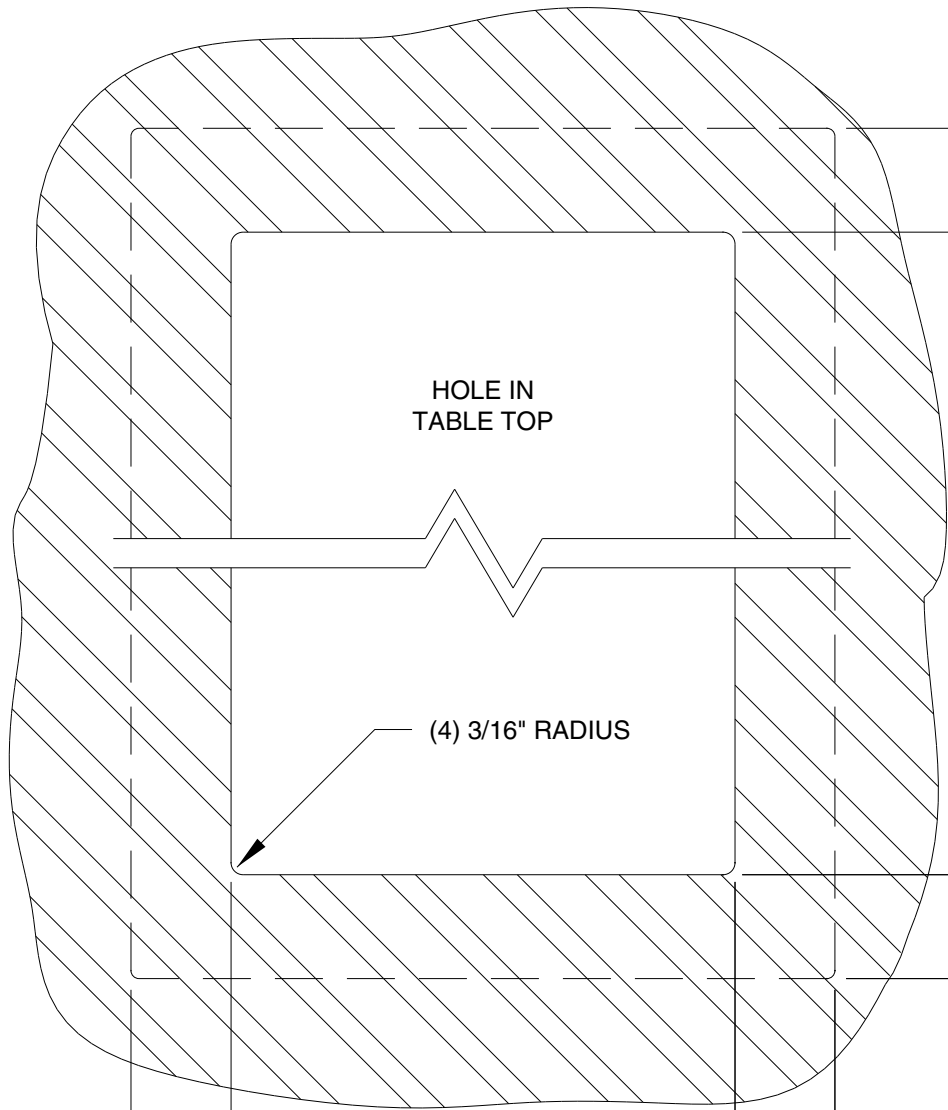
C

B

B

A

A



HOLE IN TABLE TOP

(4) 3/16" RADIUS

MOUNTING BRACKET LENGTH:
 TB-4G - 13.75"
 TB-5G - 15.56"
 TB-6G - 18.31"

HOLE LENGTH:
 TB-4G - 10.50"
 TB-5G - 12.312"
 TB-6G - 15.062"

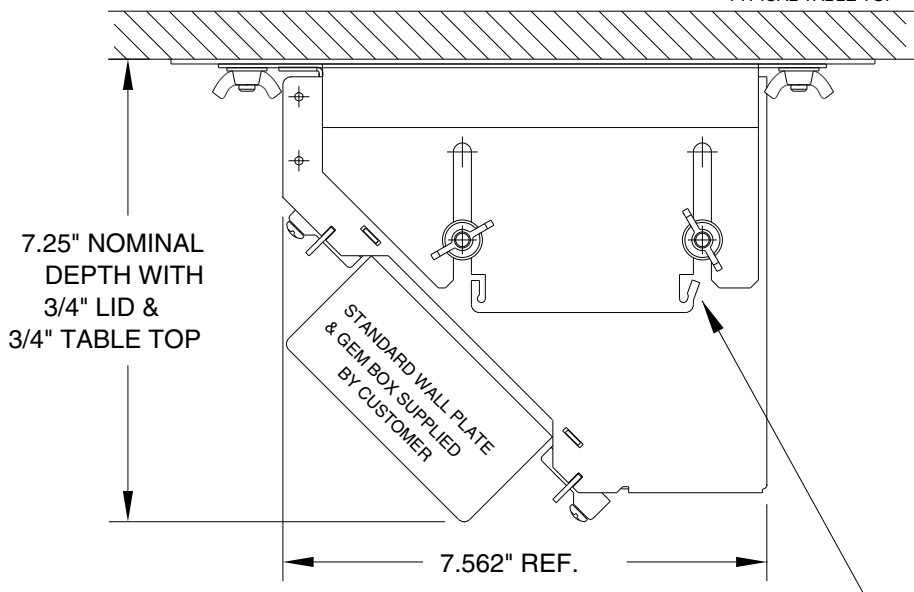
1.625" TYPICAL, EACH SIDE

HOLE WIDTH, ALL - 7.875"

MOUNTING BRACKET WIDTH - 11.00"

1.56" TYPICAL, FRONT & BACK

TYPICAL TABLE TOP



7.25" NOMINAL DEPTH WITH 3/4" LID & 3/4" TABLE TOP

STANDARD WALL PLATE & GEM BOX SUPPLIED BY CUSTOMER

7.562" REF.

AFTER FINAL INSTALLATION, BEND TABS TOWARDS SLOTS APPROX. 20°

TABLE BOX INSTALLATION NOTES:

MAX. BOX LID THKNS: .75" (3/4")
 MIN. BOX LID THKNS: .125" (1/8")

MAX. TABLE TOP THKNS @ MAX. BOX LID THKNS: 2.125" (2-1/8")

MAX. TABLE TOP THKNS @ MIN. BOX LID THKNS: 1.50" (1-1/2")

LENGTH & WIDTH OF ALL TABLE BOX LIDS IS 1/8" LESS THAN SHOWN TABLE TOP HOLE SIZES

FSR inc.

244 BERGEN BLVD.
 WEST PATERSON, NJ 07424
 PH.#: (973)785-4347

3

2

1