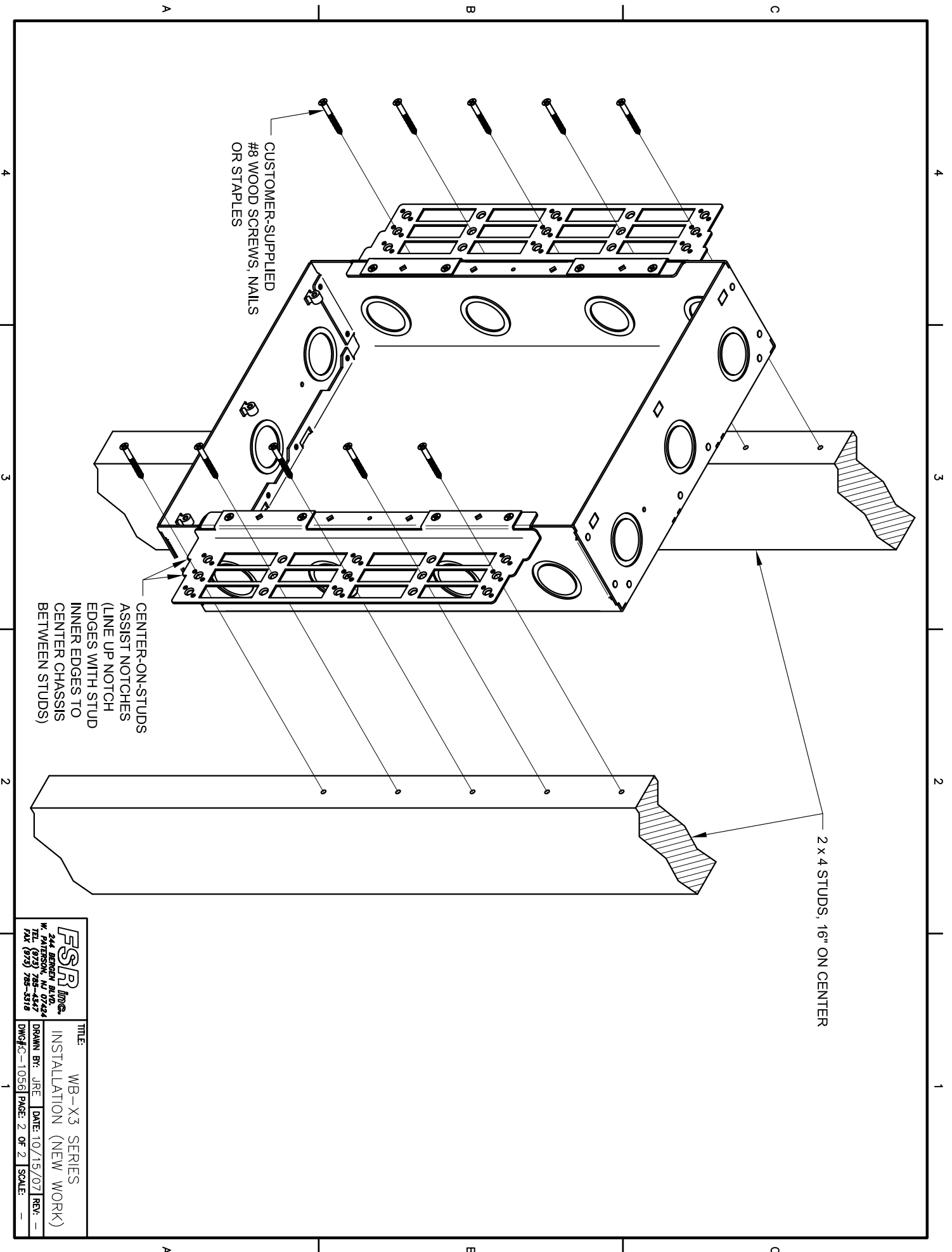


FSPR *INC.*
 244 BERGEN BLVD.
 W. PATTERSON, N.J. 07654
 TEL: (973) 728-3319
 FAX: (973) 728-3318

TITLE: WB-X3 SERIES
 INSTALLATION (NEW WORK)
 DRAWN BY: JRE DATE: 10/15/07 REV: -
 DWG#C-1056 PAGE: 1 OF 2 SCALE: -



CUSTOMER-SUPPLIED
#8 WOOD SCREWS, NAILS
OR STAPLES

CENTER-ON-STUDS
ASSIST NOTCHES
(LINE UP NOTCH
EDGES WITH STUD
INNER EDGES TO
CENTER CHASSIS
BETWEEN STUDS)

2 x 4 STUDS, 16" ON CENTER

 244 BERGEN BLVD. PATTERSON, NJ 07654 TEL: (973) 728-3318 FAX: (973) 728-3319	TITLE:	WB-X3 SERIES
	DRAWN BY:	JRE
	DATE:	10/15/07
	REV:	-
DWG#:		1056
PAGE:		2 OF 2
SCALE:		-