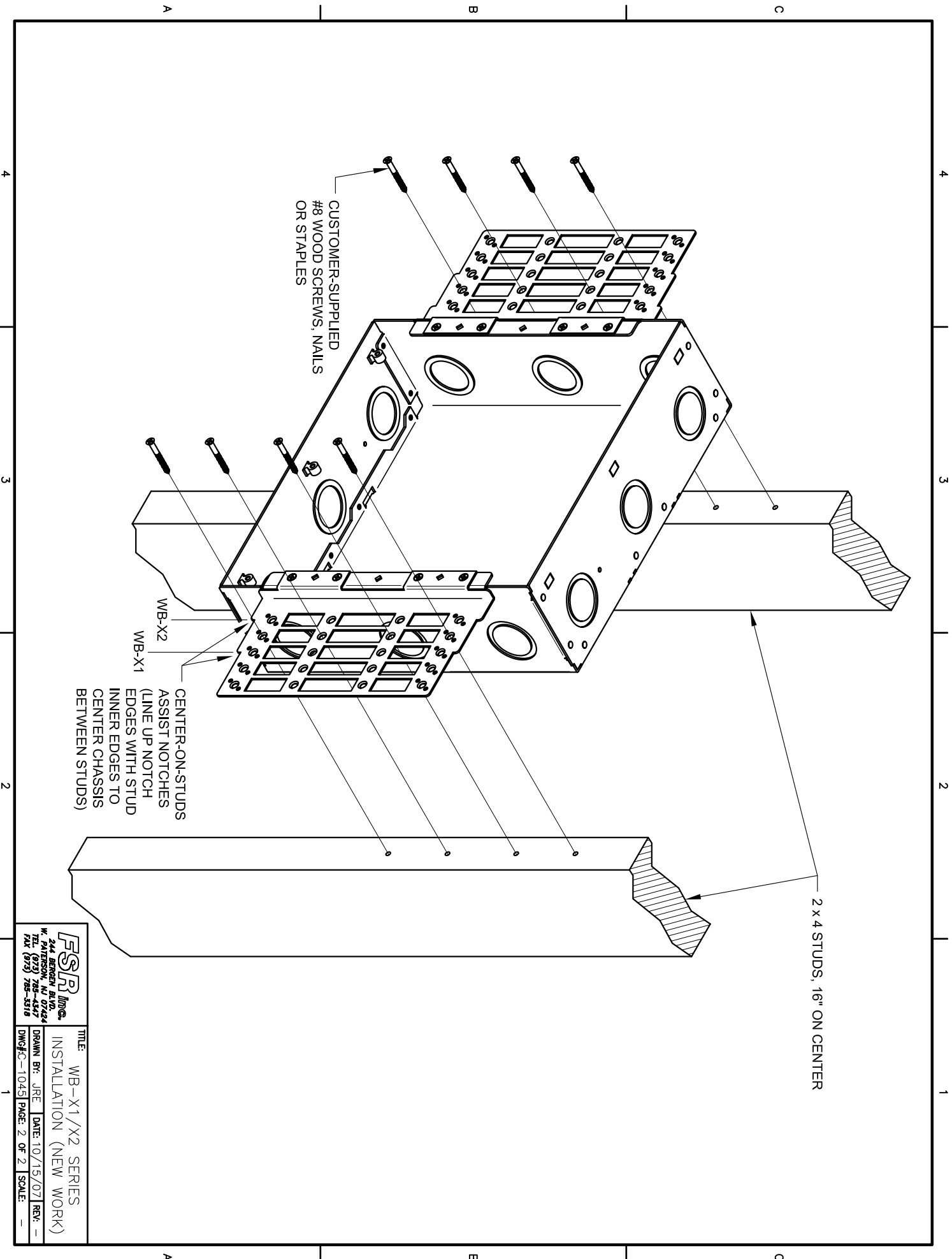


FSP *INC.*
 244 BERGEN BLVD.
 W. PATTERSON, N.J. 07744
 TEL: (973) 728-3319
 FAX: (973) 728-3318

TITLE: WB-X1/X2 SERIES
 INSTALLATION (NEW WORK)
 DRAWN BY: JRE DATE: 10/15/07 REV: -
 DWG#C-1045 PAGE: 1 OF 2 SCALE: -



CUSTOMER-SUPPLIED
#8 WOOD SCREWS, NAILS
OR STAPLES

WB-X2
WB-X1
CENTER-ON-STUDS
ASSIST NOTCHES
(LINE UP NOTCH
EDGES WITH STUD
INNER EDGES TO
CENTER CHASSIS
BETWEEN STUDS)

2 x 4 STUDS, 16" ON CENTER

FSP Inc.
244 BERGEN BLVD.
FAIRVIEW, NJ 07424
TEL: (201) 728-3319
FAX: (201) 728-3318

TITLE: WB-X1/X2 SERIES
INSTALLATION (NEW WORK)
DRAWN BY: JRE DATE: 10/15/07 REV: -
DWG#C-1045 PAGE: 2 OF 2 SCALE: -