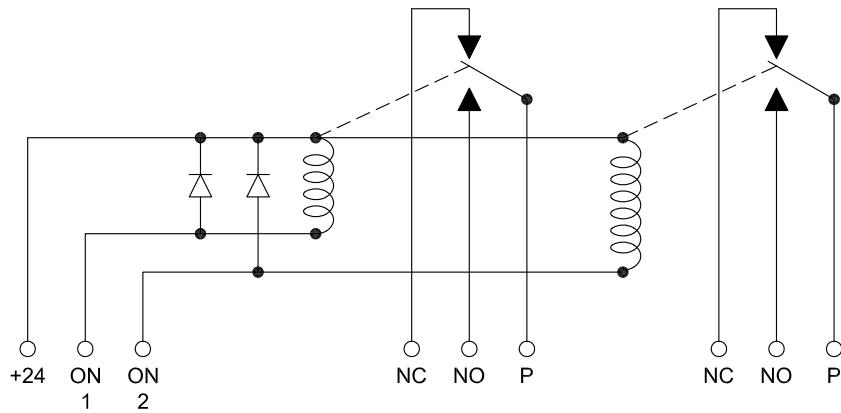


SCHMATIC DIAGRAM AC-2



SCHMATIC DIAGRAM AC-2A

| | | | |
|---|-------------------------------|---------------|----------|
| FSR inc. 244 BERGEN BLVD. WOODLAND PARK, NJ 07424 TEL. (973) 785-4347 FAX (973) 785-3318 | TITLE: AC-2 & AC-2A SCHEMATIC | | |
| | DRAWN BY: JRE | DATE: 4/30/12 | REV: - |
| | DWG#: AC2_A2A 5/10/12 | PAGE: 1 OF 1 | SCALE: - |
| | | | |