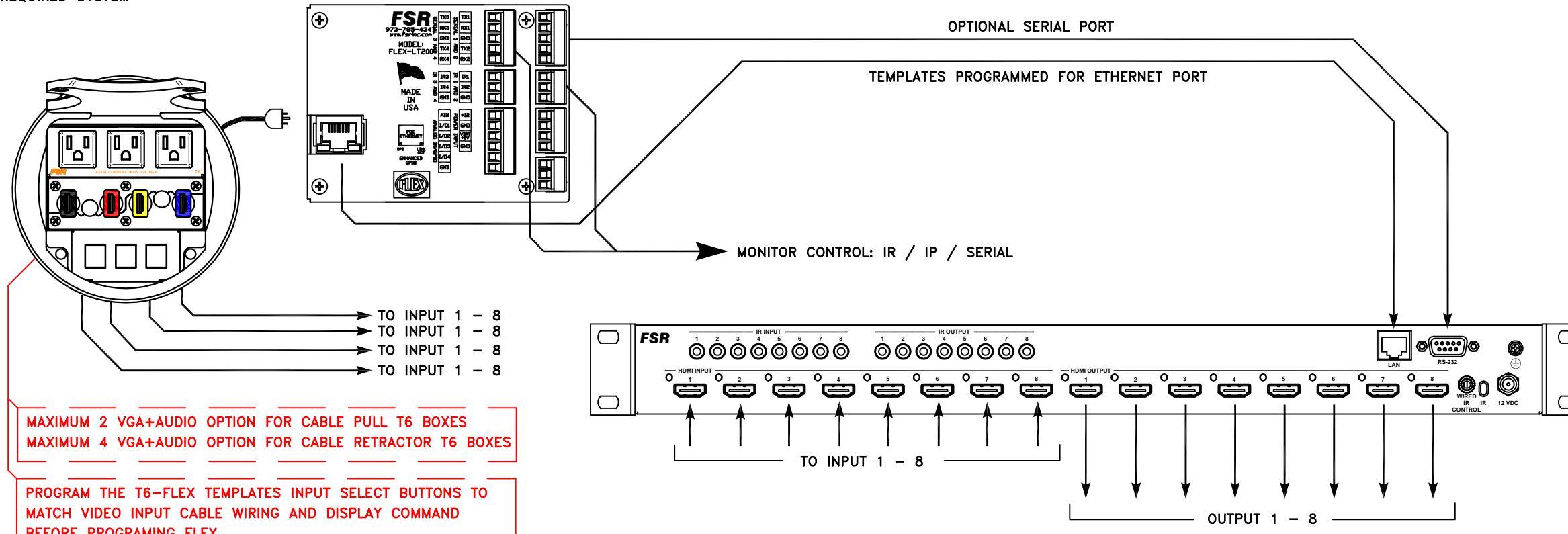


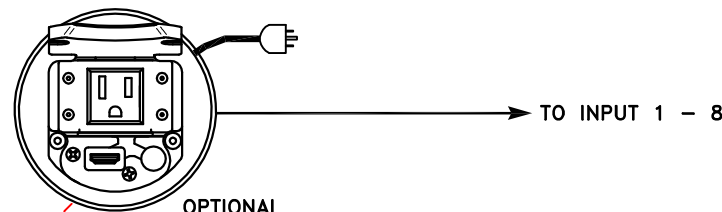
REQUIRED SYSTEM



MAXIMUM 2 VGA+AUDIO OPTION FOR CABLE PULL T6 BOXES
 MAXIMUM 4 VGA+AUDIO OPTION FOR CABLE RETRACTOR T6 BOXES

PROGRAM THE T6-FLEX TEMPLATES INPUT SELECT BUTTONS TO
 MATCH VIDEO INPUT CABLE WIRING AND DISPLAY COMMAND
 BEFORE PROGRAMING FLEX.

OPTIONS FOR HVTB28" AND HVTB-35"



OPTIONAL
 UP TO FOUR T3(NOT AVAILABLE FOR HVTB-MINI)
 MAXIMUM 1 VGA+AUDIO OPTION FOR CABLE PULL T3 BOXES
 MAXIMUM 1 VGA+AUDIO OPTION FOR CABLE RETRACTOR SYSTEMS

REQUIRED SYSTEM(up to 4 inputs)	FSR P/N	QTY.
HV-T6-FLEX-BLK	17595	1
DV-HMSW4K-88	17689	1
UNDER TABLE BRACKET	17708	1
10 Ft. CAT5E CABLE	28743	1
10 Ft. HDMI CABLE	26852	1
BAG'O PARTS	29937	1

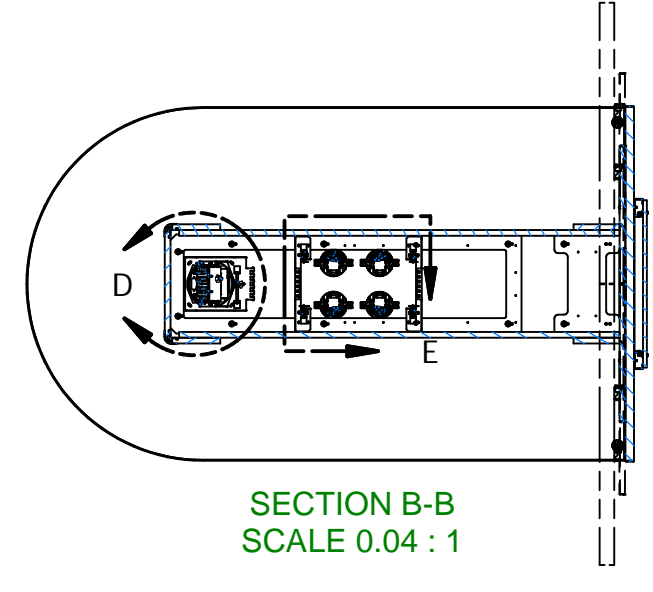
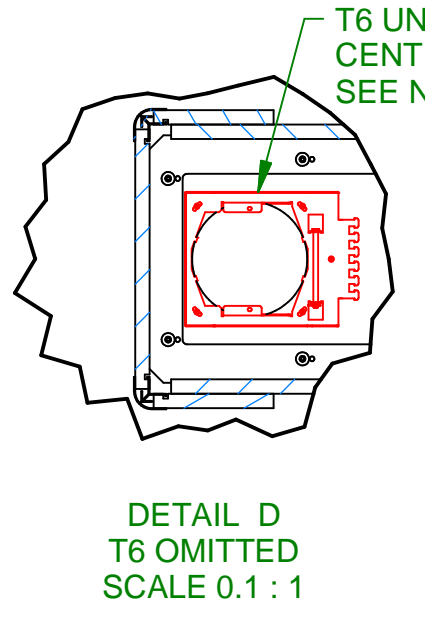
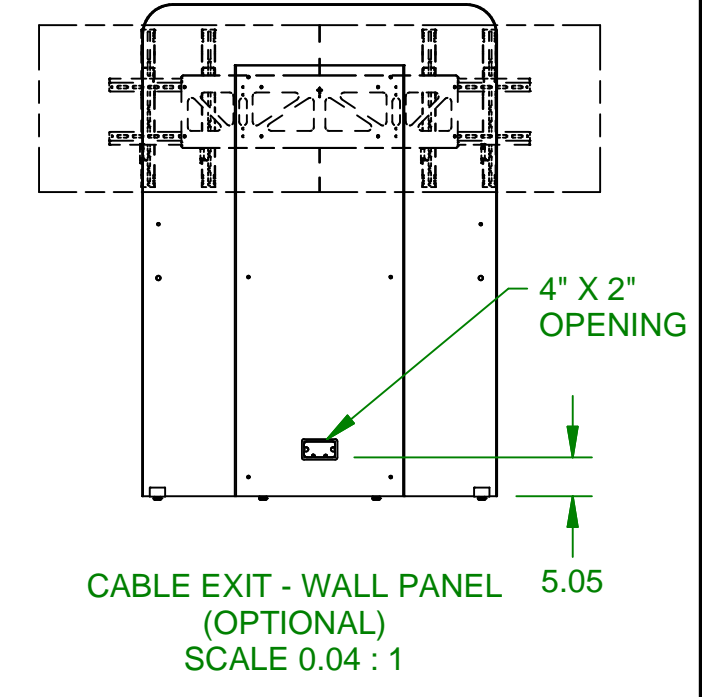
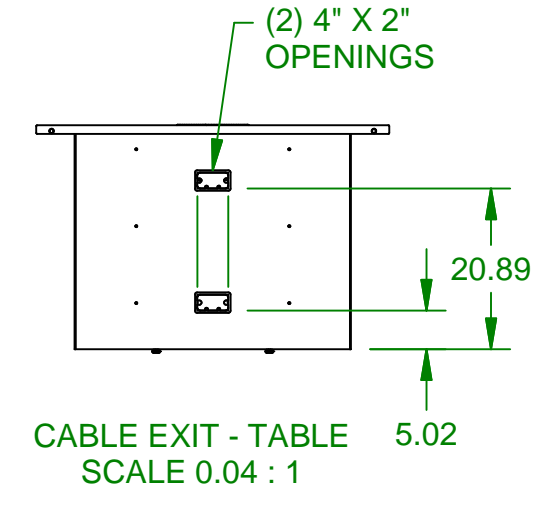
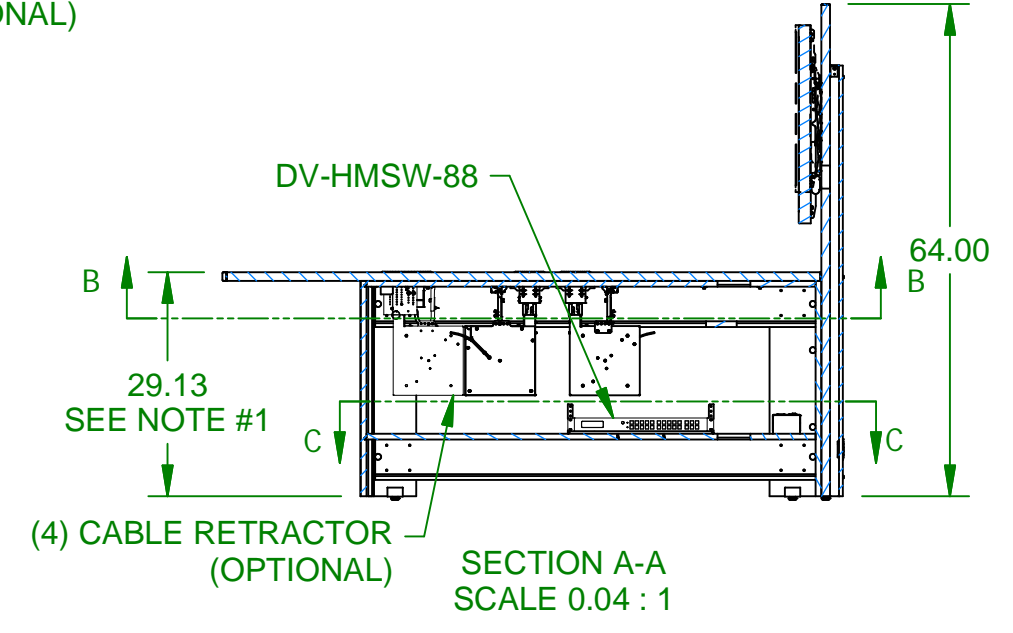
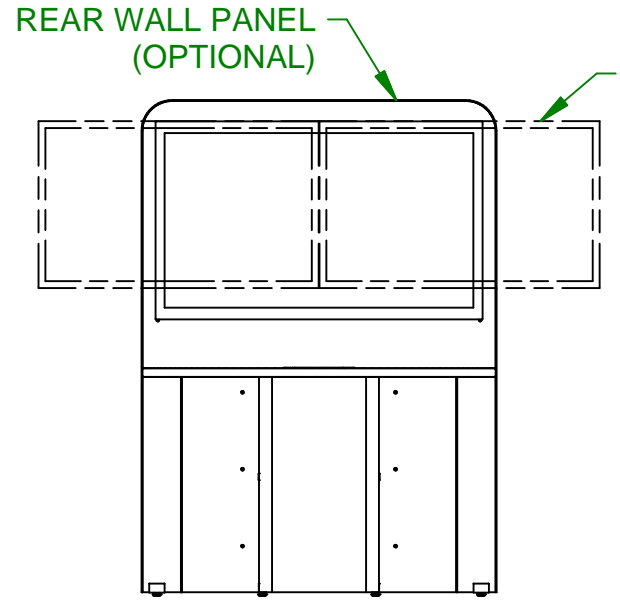
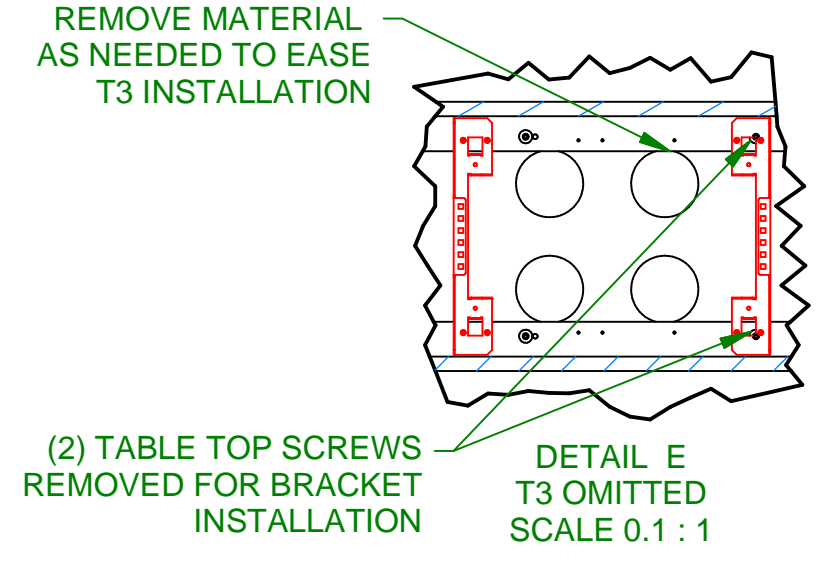
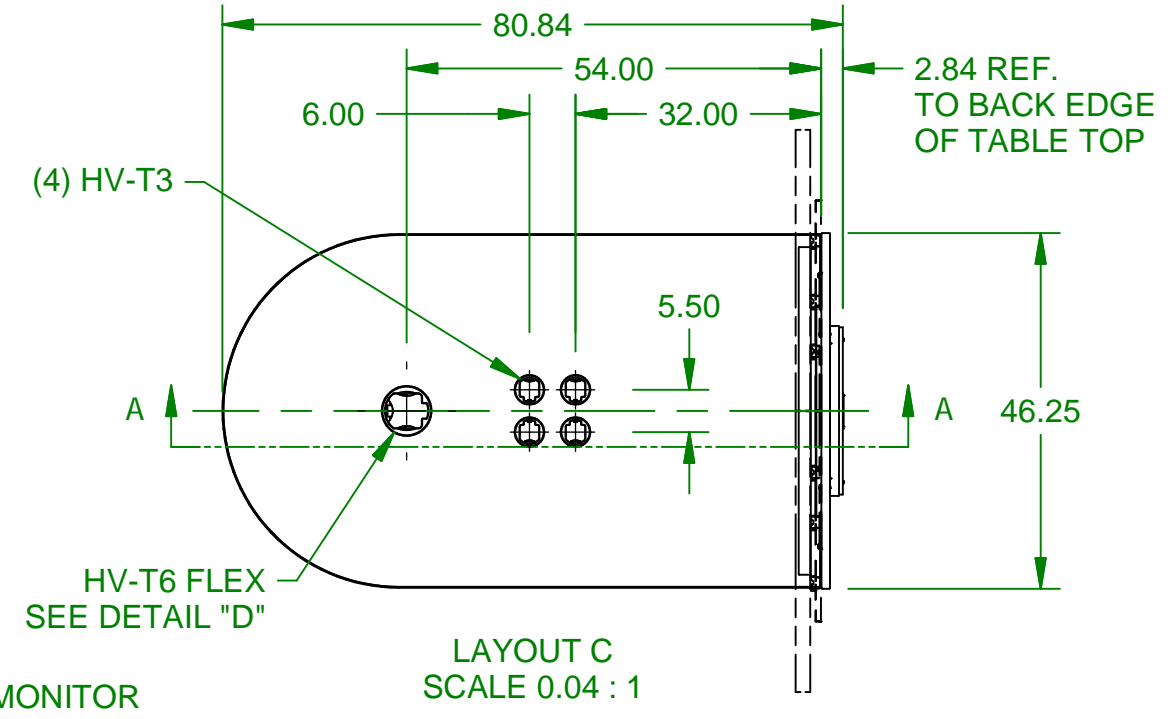
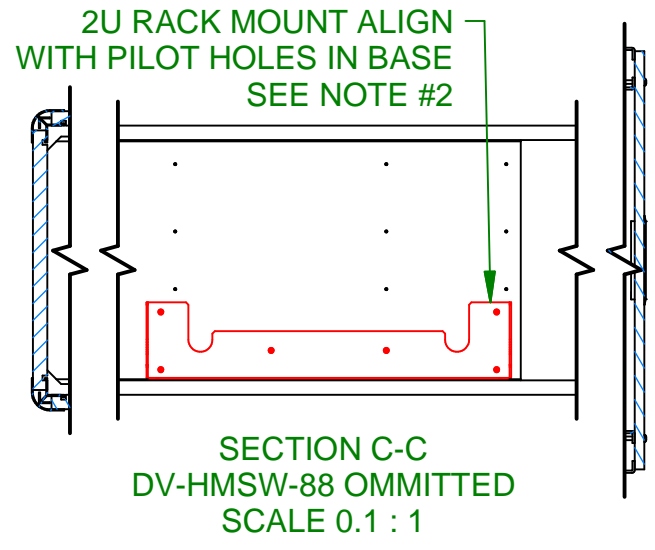
SYSTEM OPTIONS	FSR P/N	QTY.
UP TO FOUR T3(N.A. FOR HVTB-MINI)	17596	4
HV-T3 RETRACTOR BRACKET	53209	2

The drawing and specifications, herein are the property of FSR Inc. and shall not be reproduced or copied or used in whole or in part as the basis for the manufacture or sale of items without written permission.

FSR inc. 244 Bergen Blvd. W. Paterson, NJ 07424 Tel: (201) 785-4347	TITLE:
	HuddleVu FLEX TABLE UP TO 8 INPUTS WIRING DIAGRAMS FLEX TOUCH with DV-HMSW-88

NOTES:	SCALE: -
DATE: 10-12-2015	DRAWN BY: A.B.
UPDATE NO.: INITAL	PAGE 1 OF 1
CLIENT:	DWG. NO. 17745

REV	DATE	CHANGE DESCRIPTION



- NOTES:
 1. TABLE HEIGHT SHOWN; COUNTER HEIGHT IS 36.13".
 2. USE SUPPLIED HARDWARE.

FSR inc. 244 BERGEN BLVD. WOODLAND PARK, NJ 07424 TEL. (973) 785-4347 FAX. (973) 785-3318		PROJECT: HV TABLE	
		TITLE: HUDDLEVU FLEX TABLE, UP TO 8 INPUTS W/DV-HMSW-88	
TOLERANCES: .XX ±.02 .XXX: ±.01 FRACT: ±1/64 ANGLES: ±1°		SCALE: DO NOT SCALE DRAWING	ORIGINALLY DRAWN BY: GKV DATE: 12/10/15
HOLES or COUNTERBORES, INTENDED FOR PEMs OR OTHER INSERTED HARDWARE: +.003 / -0		CURRENT REV. DRAWN BY: GKV DATE: 12/10/15	DATE: 12/10/15
NETWORK INFORMATION:		APPROVED: D Hansen DATE: 12/10/15	DATE: 12/10/15
FILE NAME: 25B7678 DATE: 12/10/15	DIRECTORY: G:\TABLEBOX\TABLES	DWG.#: 25B7678 REV: 00 PART#: 17745	