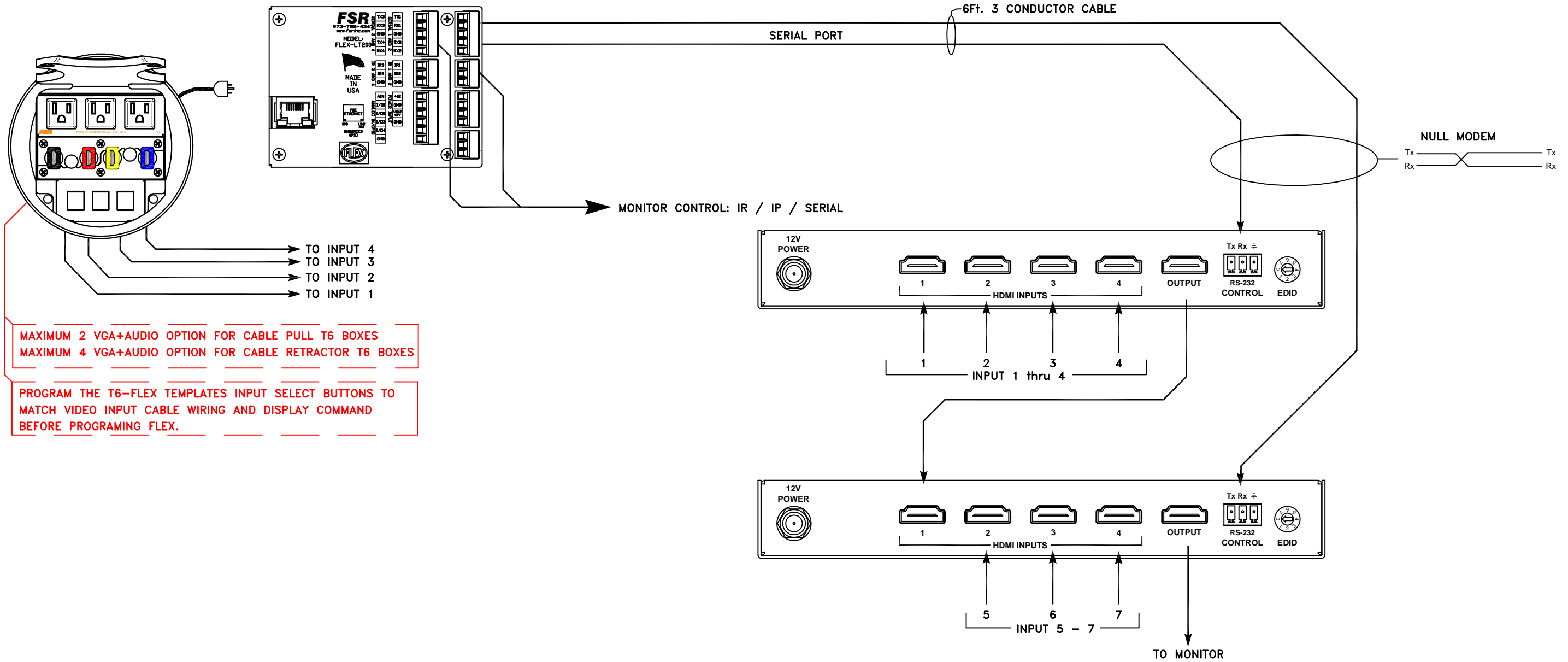


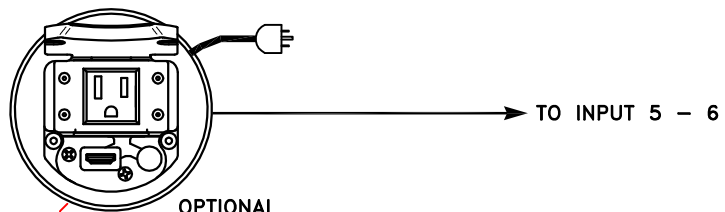
REQUIRED SYSTEM



MAXIMUM 2 VGA+AUDIO OPTION FOR CABLE PULL T6 BOXES
MAXIMUM 4 VGA+AUDIO OPTION FOR CABLE RETRACTOR T6 BOXES

PROGRAM THE T6-FLEX TEMPLATES INPUT SELECT BUTTONS TO MATCH VIDEO INPUT CABLE WIRING AND DISPLAY COMMAND BEFORE PROGRAMING FLEX.

OPTIONS FOR HVTB28" AND HVTB-35"



OPTIONAL
TWO HV-T3 (NOT AVAILABLE FOR HVTB-MINI)

MAXIMUM 1 VGA+AUDIO OPTION FOR CABLE PULL T3 BOXES
MAXIMUM 1 VGA+AUDIO OPTION FOR CABLE RETRACTOR SYSTEMS

REQUIRED SYSTEM	FSR P/N	QTY.
HV-T6-FLEX-BLK	17595	1
HV-T3	17596	2
DV-HSW4K-41	17796	2
BAG'O CABLES FOR HV-4	29936	1
BAG'O PARTS	29937	1
HV-T3 RETRACTOR BRACKET	53209	1

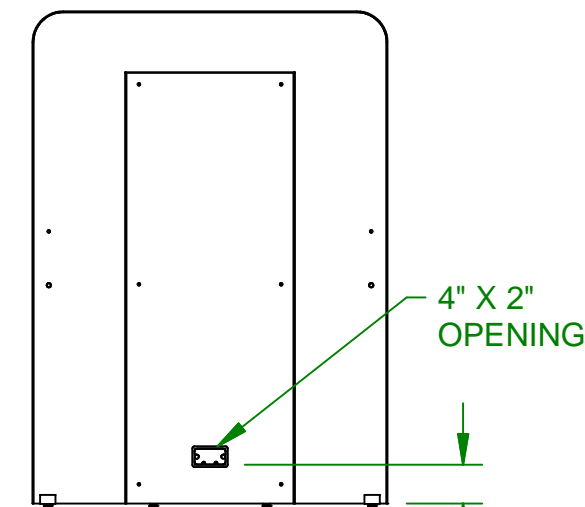
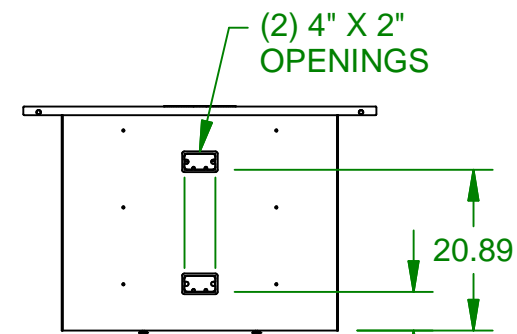
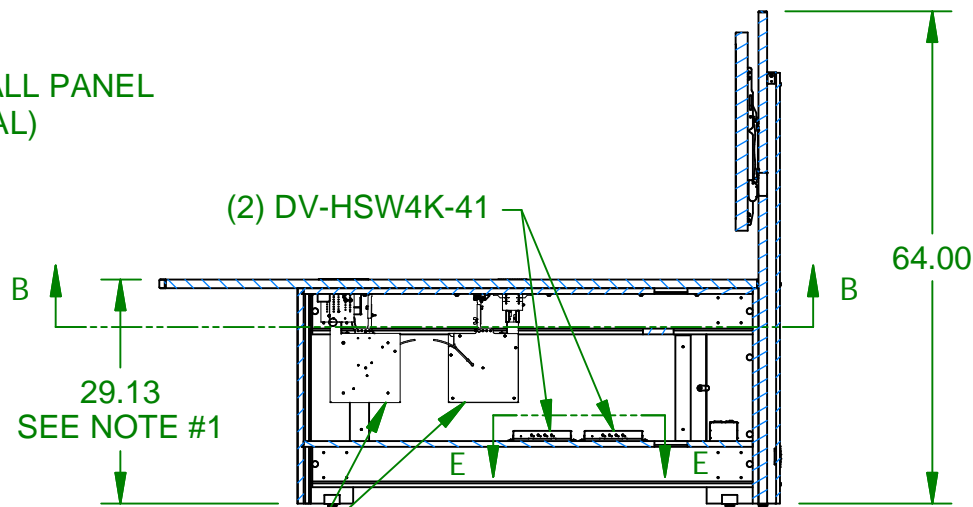
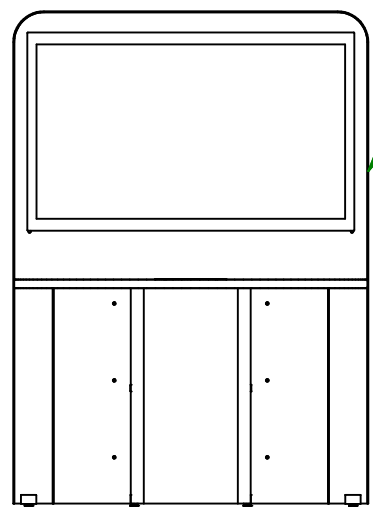
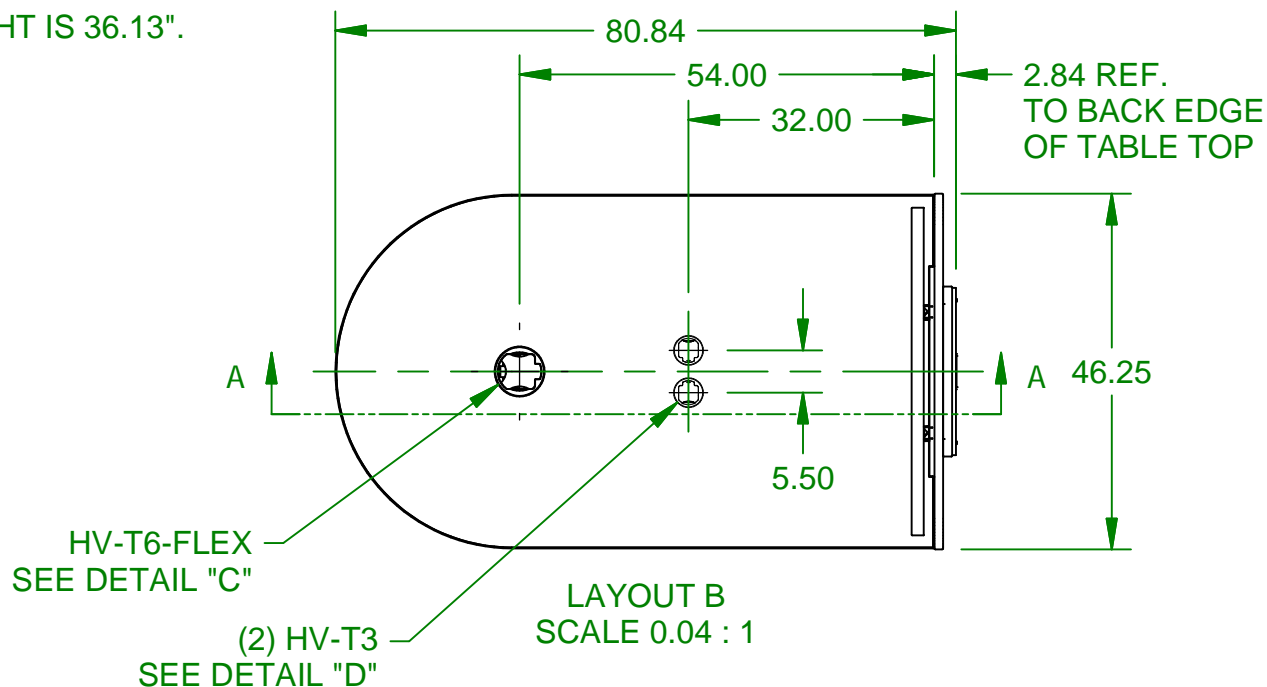
The drawing and specifications, herein are the property of FSR Inc. and shall not be reproduced or copied or used in whole or in part as the basis for the manufacture or sale of items without written permission.

 244 Bergen Blvd. W. Paterson, NJ 07424 Tel: (201) 785-4347	TITLE:
	HuddleVu FLEX TABLE SIX INPUT WIRING DIAGRAM FLEX TOUCH with DV-HSW4K-41

NOTES:	SCALE: -
DATE: 10-09-2015	DRAWN BY: A.B.
UPDATE NO.: INITAL	SIGN OFF:
CLIENT:	DWG. NO. 17867

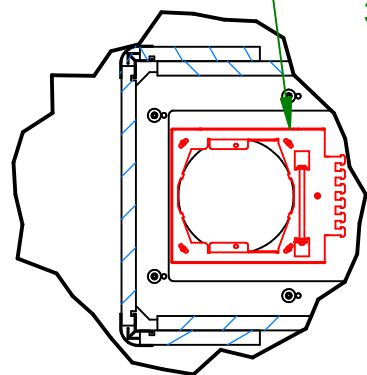
NOTES:
 1. TABLE HEIGHT SHOWN; COUNTER HEIGHT IS 36.13".
 2. USE SUPPLIED HARDWARE.

REV	DATE	CHANGE DESCRIPTION

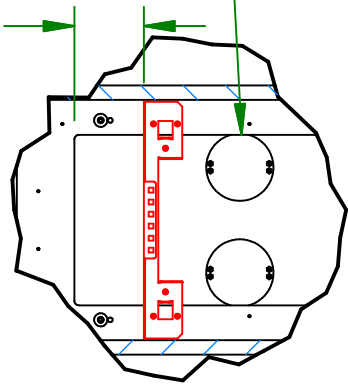


T6 UNDER-TABLE CLAMP
CENTERED ON 6" HOLE
SEE NOTE #2

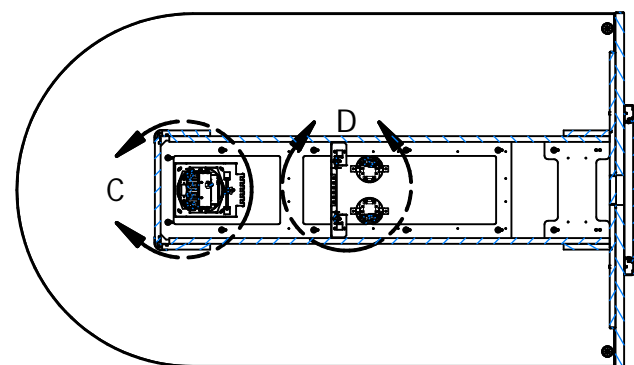
REMOVE MATERIAL
AS NEEDED TO EASE
T3 INSTALLATION



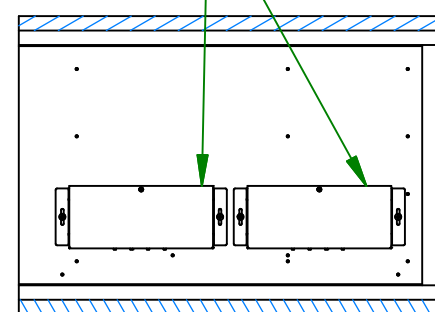
3.63



(6) CABLE RETRACTORS
(OPTIONAL)



MOUNT TO AVAILABLE
PILOT HOLES IN BASE
SEE NOTE #2



FSR inc.
 244 BERGEN BLVD.
 WOODLAND PARK, NJ 07424
 TEL. (973) 785-4347
 FAX. (973) 785-3318

PROJECT: HV TABLE

TITLE:
 HUDDLEVU FLEX TABLE, 6 INPUT
 W/DV-HSW4K-41

SCALE: DO NOT SCALE DRAWING

TOLERANCES: .XX ±.02 .XXX: ±.01
 FRACT: ±1/64 ANGLES: ±1°

ORIGINALLY
 DRAWN BY: GKV DATE: 12/10/15

HOLES or COUNTERBORES, INTENDED FOR PEMs
 OR OTHER INSERTED HARDWARE: +.003 / -0

CURRENT REV: GKV DATE: 12/10/15

NETWORK INFORMATION:

APPROVED: **D Hansen** DATE: 12/10/15

FILE NAME: 25B7678 DATE: 12/10/15

DWG.# 25B7678 REV. 00 PART# 17867

DIRECTORY: G:\TABLEBOX\TABLES