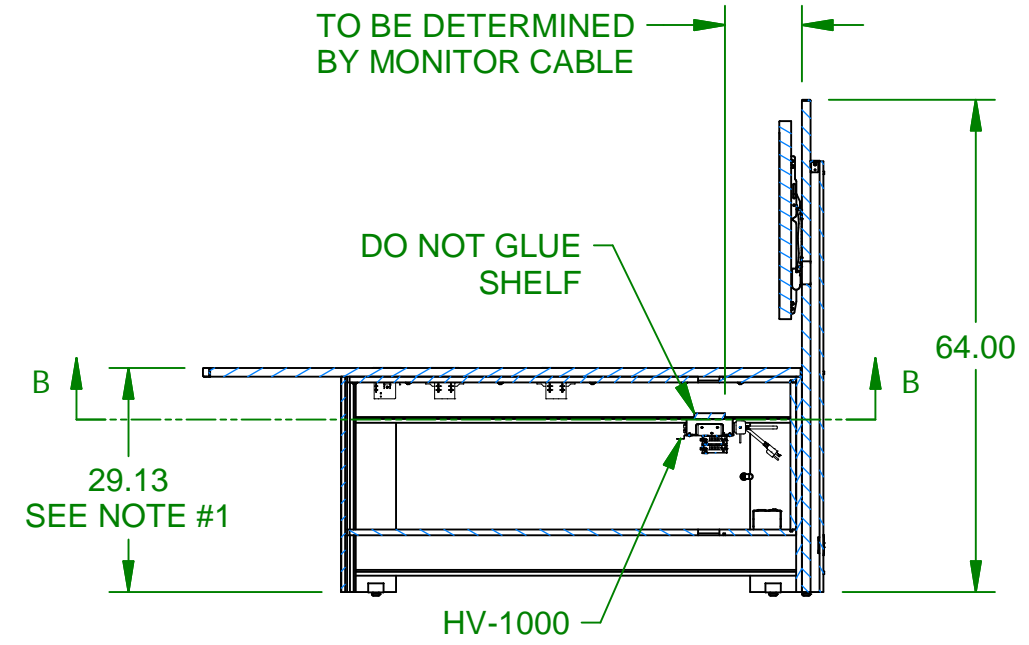
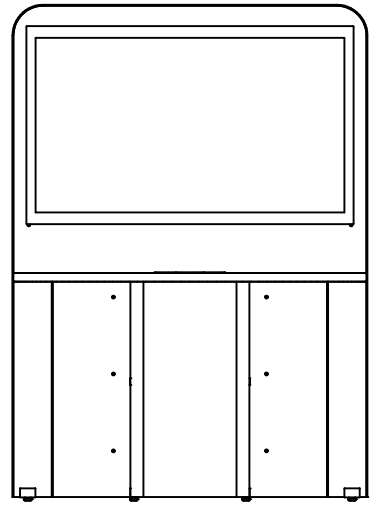
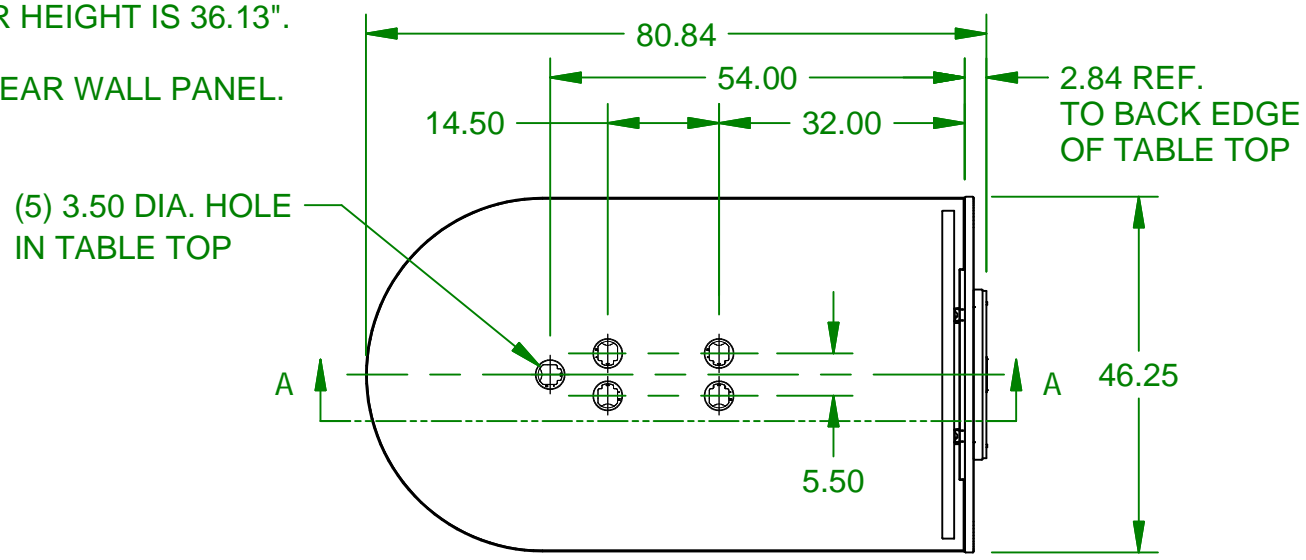
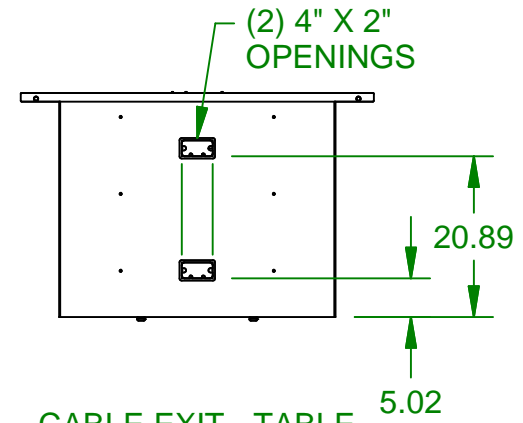


- NOTES:
 1. TABLE HEIGHT SHOWN; COUNTER HEIGHT IS 36.13".
 2. USE SUPPLIED HARDWARE.
 3. TABLE SHOWN WITH OPTIONAL REAR WALL PANEL.

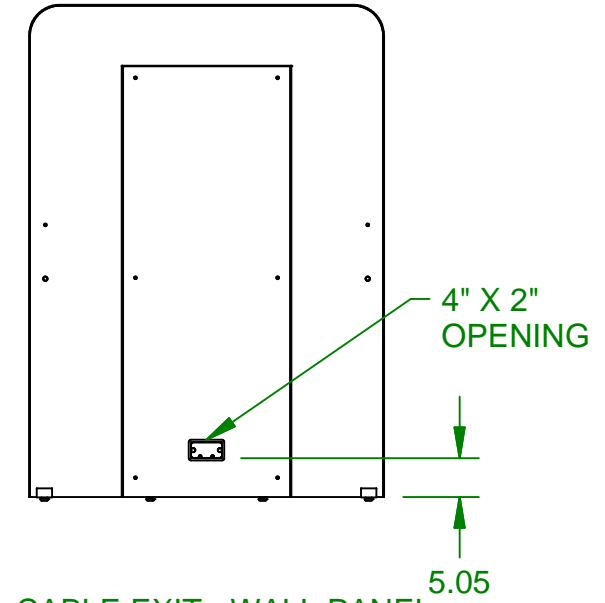
REV	DATE	CHANGE DESCRIPTION
01	11/17/14	ADDED CABLE EXIT VIEW FOR TABLE ONLY. ADDED NOTE(S).



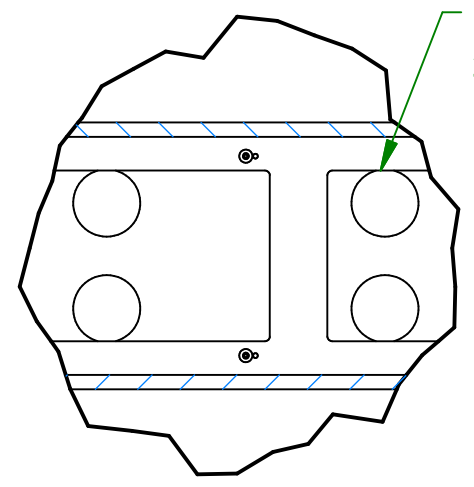
SECTION A-A
SCALE 0.04 : 1



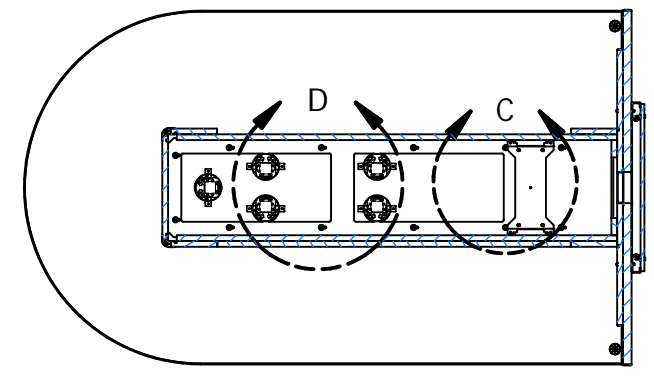
CABLE EXIT - TABLE
SCALE 0.04 : 1



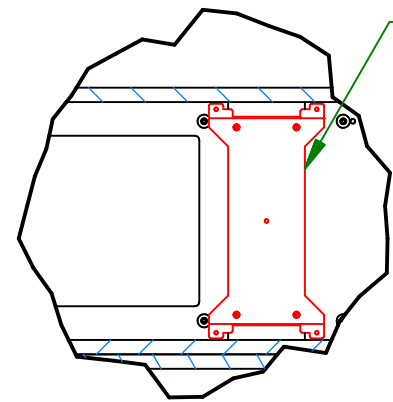
CABLE EXIT - WALL PANEL
SCALE 0.04 : 1



DETAIL D
T3 OMITTED
SCALE 0.1 : 1



SECTION B-B
SCALE 0.04 : 1



DETAIL C
SCALE 0.1 : 1

FSR inc.
 244 BERGEN BLVD.
 WOODLAND PARK, NJ 07424
 TEL. (973) 785-4347
 FAX. (973) 785-3318

PROJECT: HV TABLE

TITLE:
HV-500 - PUSH BUTTON; 5 INPUTS / 1 OUTPUT

SCALE: DO NOT SCALE DRAWING

TOLERANCES: .XX ±.02 .XXX: ±.01
 FRACT: ±1/64 ANGLES: ±1°
 HOLES or COUNTERBORES, INTENDED FOR PEMs OR OTHER INSERTED HARDWARE: +.003 / -0

ORIGINALLY DRAWN BY: GKV DATE: 10/02/14

CURRENT REV. DRAWN BY: GKV DATE: 11/17/14

APPROVED: **D Hansen** DATE: 11/17/14

NETWORK INFORMATION:
 FILE NAME: HV-TABLE DATE: 11/17/14

DWG.#: CONFIG4-BTN REV: 01 PART#: 73251

DIRECTORY: G:\TABLEBOX\TABLES