

MAXIMUM 1 VGA+AUDIO OPTION FOR CABLE PULL T3 BOXES
 MAXIMUM 1 VGA ONLY OPTION FOR CABLE RETRACTOR T3 BOXES

MAXIMUM 2 VGA+AUDIO OPTION FOR CABLE PULL T6 BOXES
 MAXIMUM 3 VGA+AUDIO OPTION FOR CABLE RETRACTOR T6 BOXES

SYSTEM COFIGURATION	FSR P/N	QTY.
HV-T6-FLEX 1000	17594	1
HV-T3-BLK HDMI INPUT BOX	17596	4

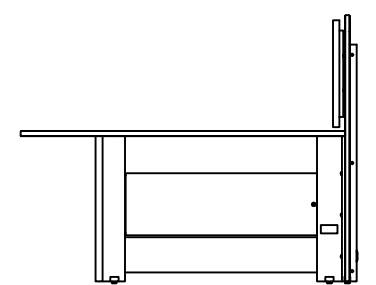
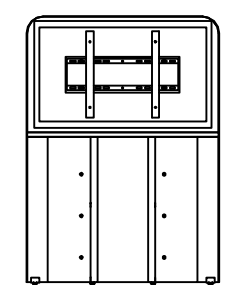
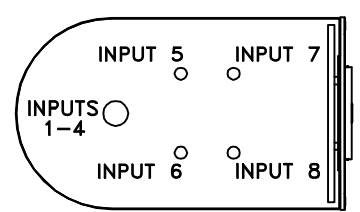
REQUIRED SYSTEM OPTIONS	FSR P/N	QTY.
T6 4 HDMI 10' CBL. IN T6 LG. BRKT.	17703	1
T6 4 HDMI 15' CBL. IN T6 LG. BRKT.	17704	1
T3 HDMI 10' CBL. AND BRACKET	17707	4
T3 HDMI 15' CBL. AND BRACKET	17726	4

REQUIRED SYSTEM OPTIONS	FSR P/N	QTY.
T6 RETRACTOR MOUNTING KIT	17639	1
T3 RETRACTOR MOUNTING KIT	17709	1
CABLE RETRACTOR HDMI BLACK	17632	-
CABLE RETRACTOR HDMI BLUE	17633	-
CABLE RETRACTOR HDMI RED	17634	-
CABLE RETRACTOR HDMI YELLOW	17635	-
CABLE RETRACTOR VGA	17636	-
CABLE RETRACTOR AUDIO	17637	-
CABLE RETRACTOR CAT-6	17638	-
CABLE RETRACTOR DP TO HDMI	17723	-
CABLE RETRACTOR Mini DP TO HDMI	17724	-
CABLE RETRACTOR USB/USB TYPE A	17725	-

SYSTEM OPTIONS	FSR P/N	QTY.
HDMI TO VGA KIT	17522	-
15' DISPLAYPORT TO HDMI CABLE	26942	-
15' Mini DISPLAYPORT TO HDMI CABLE	26943	-
15' USB TO USB M/M TYPE A CABLE	26944	-
USB SNAP-IN CHARGER W/P.S.	17459	1-2
USB SNAP-IN CHARGER W/O P.S.	17614	1-2
SS-USB-CHRG-PS6	17587	1

TABLE COFIGURATION	FSR P/N	QTY.
TABLE CONFIGURATION 1	17721	1
TABLE CONFIGURATION MAPLE FINISH	17714	1

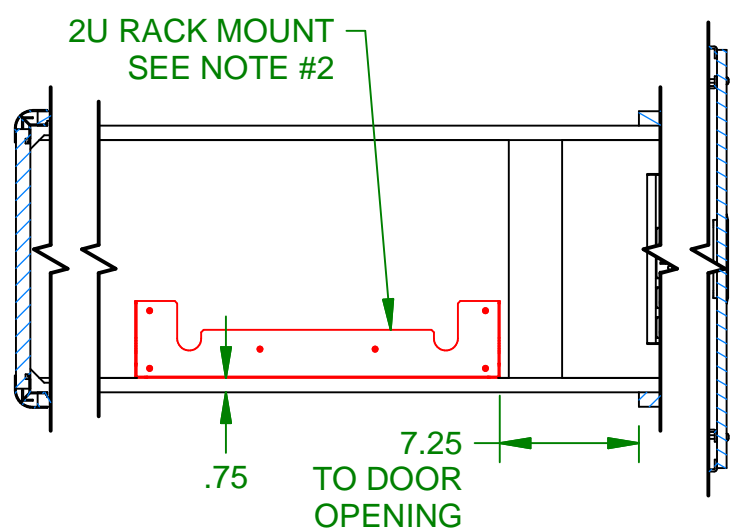
TABLE COFIGURATION OPTIONS	FSR P/N	QTY.
HVTB BASE TABLE HEIGHT	17712	1
HVTBBASE COUNTER HEIGHT	17713	1
MAPLE WALL PANEL 1/2 MONITOR	17715	1
SINGLE MONITOR MOUNT	38133	1
DUAL MONITOR MOUNT	17716	1
DUGOUT	XXXXX	1



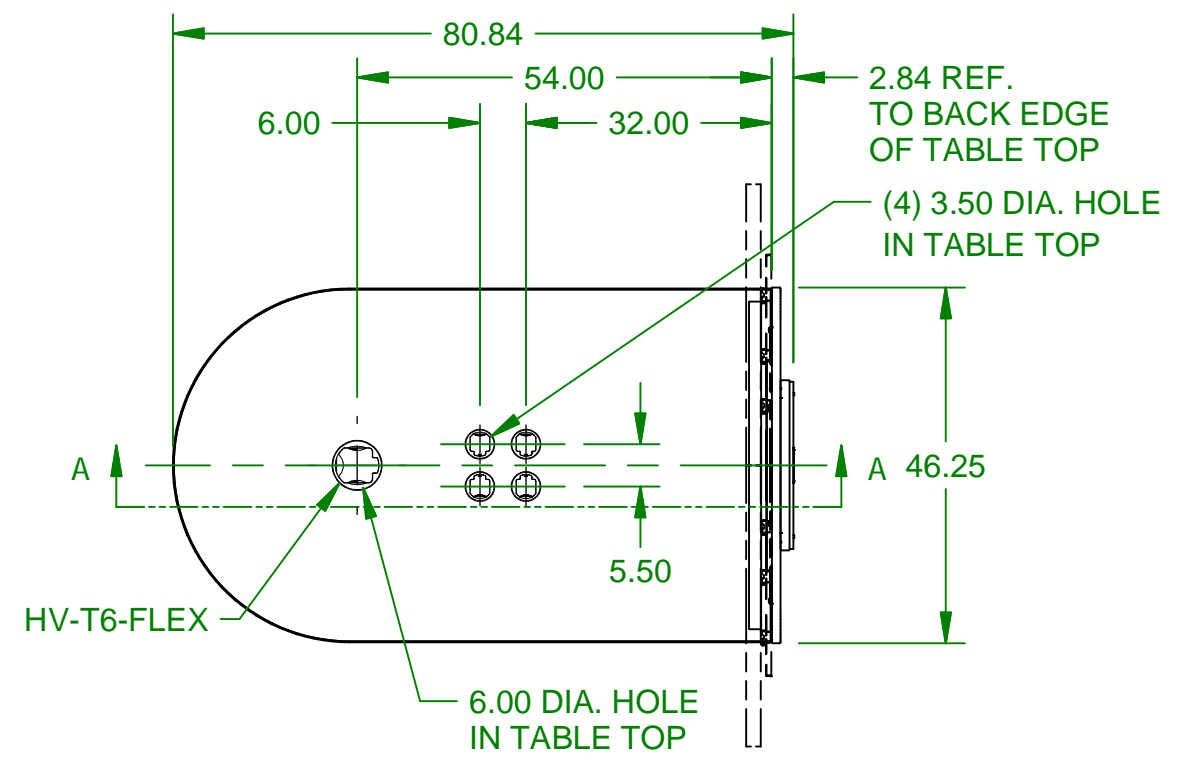
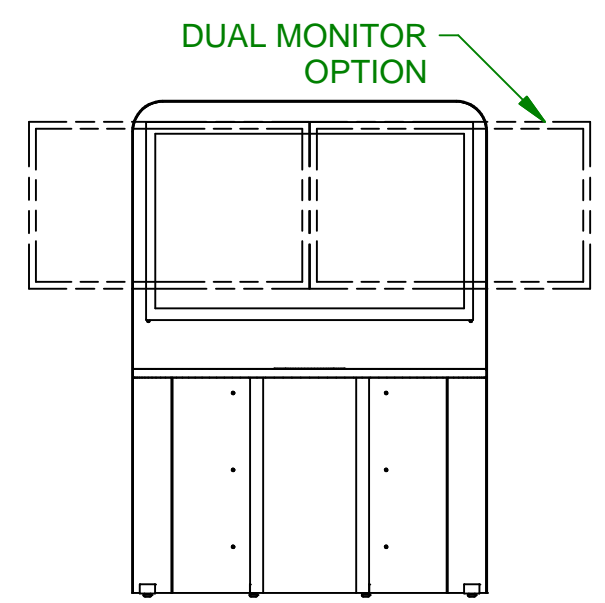
The drawing and specifications, herein are the property of FSR Inc. and shall not be reproduced or copied or used in whole or in part as the basis for the manufacture or sale of items without written permission.

FSR inc. 244 Bergen Blvd. W. Paterson, NJ 07424 Tel: (201) 785-4347	TITLE: HuddleVu FLEX TABLE CONFIGURATION WIRING DIAGRAM CONFIGURATION "3"	
---	---	--

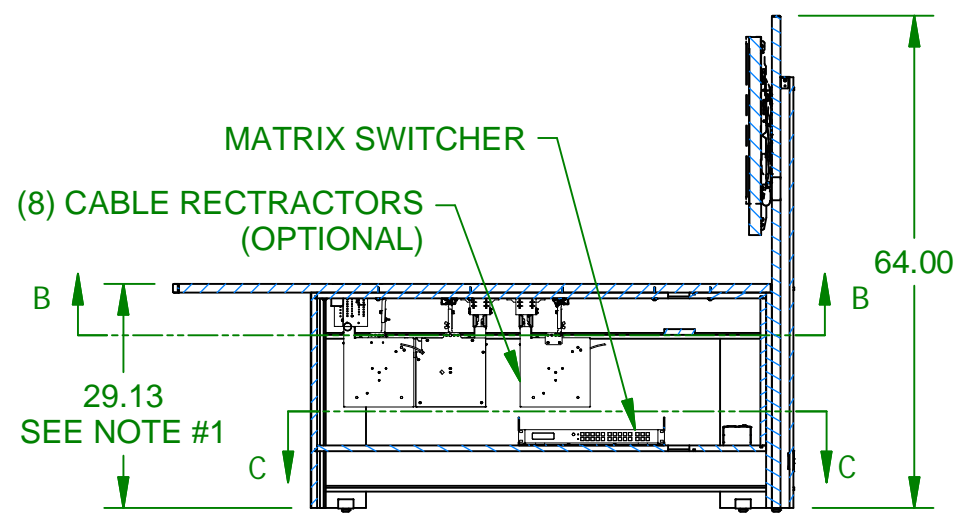
NOTES:	SCALE: -
DATE: 7-29-2014	DRAWN BY: A.B.
UPDATE NO.: INITAL	SIGN OFF:
CLIENT:	DWG. NO. CONFIG3-FLX



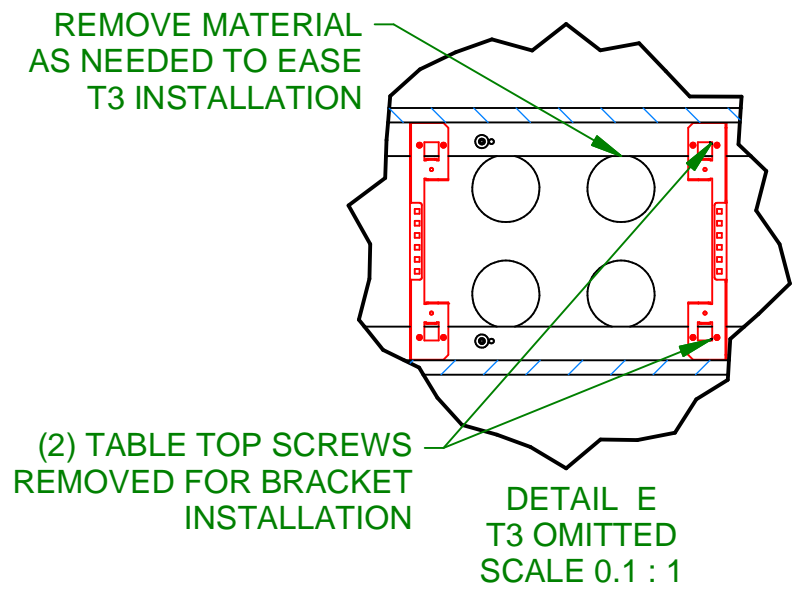
SECTION C-C
MATRIX SWITCHER OMITTED
SCALE 0.1 : 1



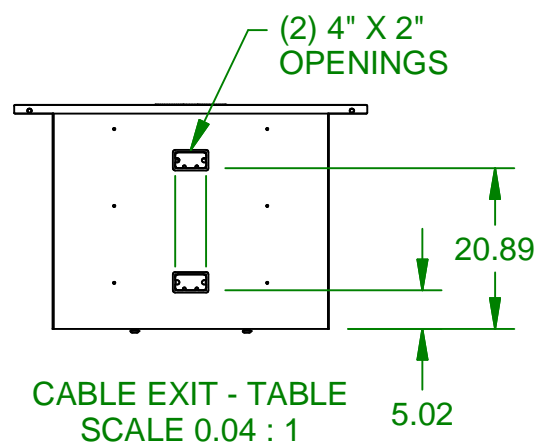
SECTION A-A
SCALE 0.04 : 1



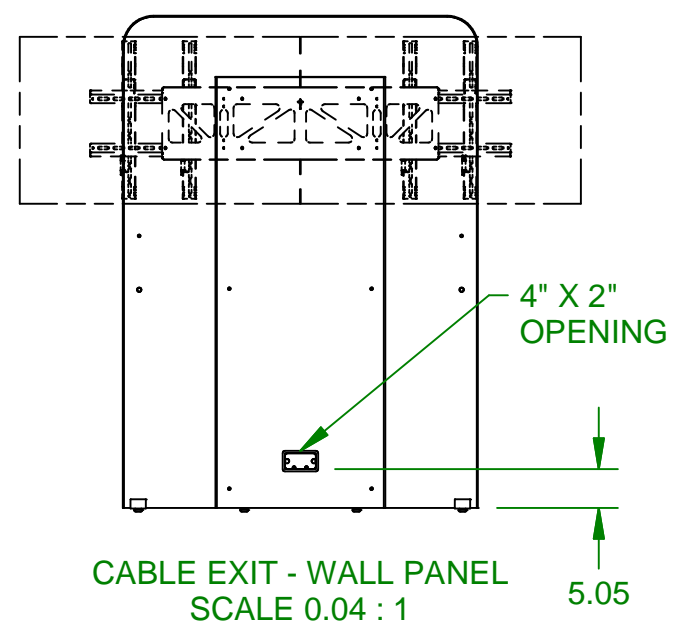
SECTION A-A
SCALE 0.04 : 1



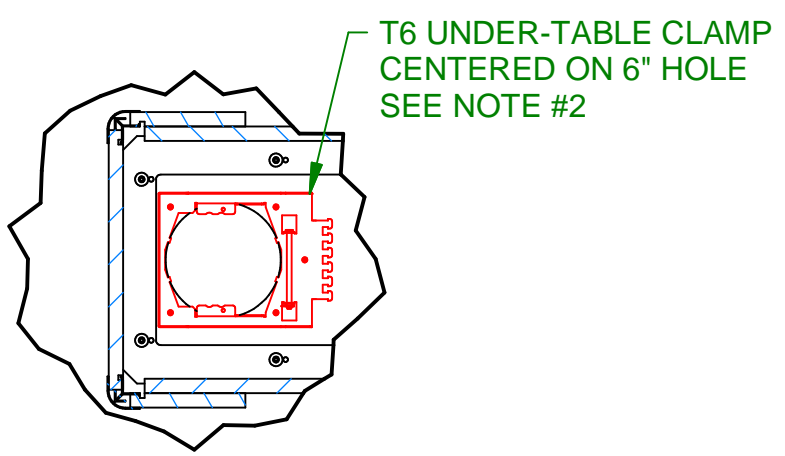
DETAIL E
T3 OMITTED
SCALE 0.1 : 1



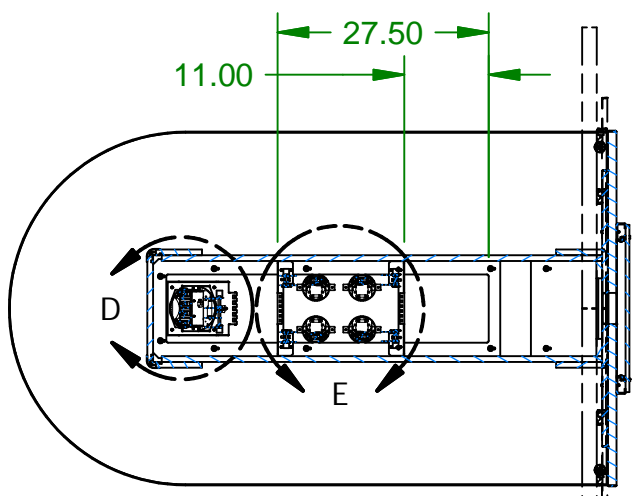
CABLE EXIT - TABLE
SCALE 0.04 : 1



CABLE EXIT - WALL PANEL
SCALE 0.04 : 1



DETAIL D
T6 OMITTED
SCALE 0.10 : 1



SECTION B-B
SCALE 0.04 : 1

- NOTES:
1. TABLE HEIGHT SHOWN; COUNTER HEIGHT IS 36.13".
2. USE SUPPLIED HARDWARE.
3. TABLE SHOWN WITH OPTIONAL REAR WALL PANEL.

FSR inc.
244 BERGEN BLVD.
WOODLAND PARK, NJ 07424
TEL. (973) 785-4347
FAX. (973) 785-3318

PROJECT: HV TABLE

TITLE:
HV-T6-FLEX & (4) HV-T3 - TOUCH
SCREEN; 8 INPUTS / 8 OUPUPTS

SCALE: DO NOT SCALE DRAWING

TOLERANCES: .XX ±.02 .XXX: ±.01
FRACT: ±1/64 ANGLES: ±1°

ORIGINALLY
DRAWN BY: GKV DATE: 10/02/14

HOLES or COUNTERBORES, INTENDED FOR PEMs
OR OTHER INSERTED HARDWARE: +.003 / -0

CURRENT REV.
DRAWN BY: GKV DATE: 11/17/14

NETWORK INFORMATION:

APPROVED: **D Hansen** DATE: 11/17/14

FILE NAME: HV-TABLE DATE: 11/17/14

DWG.# REV. PART#
CONFIG3-FLEX 01 73250

DIRECTORY: G:\TABLEBOX\TABLES