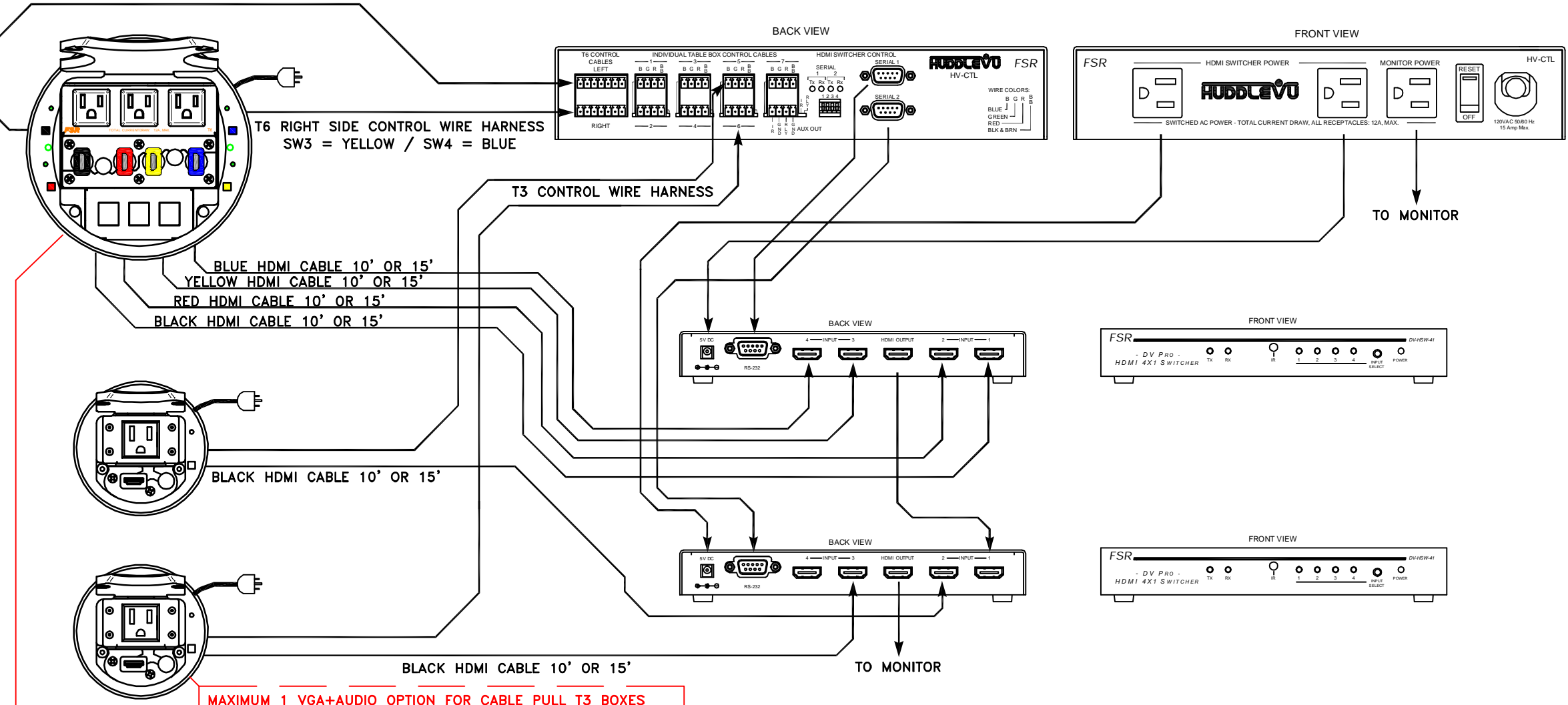


T6 LEFT SIDE CONTROL WIRE HARNESS
SW1 = BLACK / SW2 = RED

T6 RIGHT SIDE CONTROL WIRE HARNESS
SW3 = YELLOW / SW4 = BLUE

T3 CONTROL WIRE HARNESS

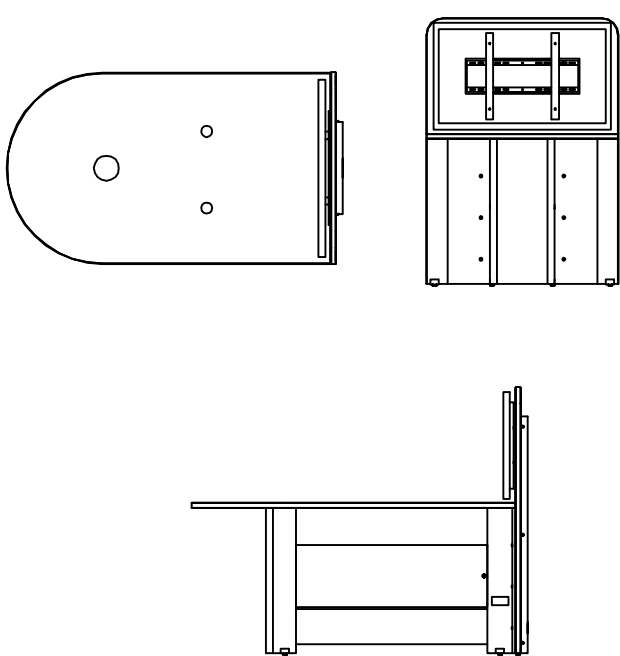


MAXIMUM 1 VGA+AUDIO OPTION FOR CABLE PULL T3 BOXES
MAXIMUM 1 VGA ONLY OPTION FOR CABLE RETRACTOR T3 BOXES

MAXIMUM 2 VGA+AUDIO OPTION FOR CABLE PULL T6 BOXES
MAXIMUM 3 VGA+AUDIO OPTION FOR CABLE RETRACTOR T6 BOXES

TABLE COFIGURATION	FSR P/N	QTY.
TABLE CONFIGURATION 2	17719	1
TABLE CONFIGURATION MAPLE FINISH	17714	1

TABLE COFIGURATION OPTIONS	FSR P/N	QTY.
HVTB BASE TABLE HEIGHT	17712	1
HVTBBASE COUNTER HEIGHT	17713	1
MAPLE WALL PANEL 1/2 MONITOR	17715	1
SINGLE MONITOR MOUNT	38133	1
DUGOUT	XXXXX	1



SYSTEM COFIGURATION	FSR P/N	QTY.
HV-T6-BLK 4 HDMI INPUT BOX	17491	1
HV-T3-BLK 1 HDMI INPUT BOX	17492	2
HuddleVu CONTROL MODULE	17493	1
HDMI 4 x 1 SWITCHER DV-HSW-41	17314	2
BAG O CABLES	29997	1
H-V UNDER TABLE MOUNTING KIT	17523	1

REQUIRED SYSTEM OPTIONS	FSR P/N	QTY.
T6 4 HDMI 10' CBL. IN T6 LG. BRKT.	17703	1
T6 4 HDMI 15' CBL. IN T6 LG. BRKT.	17704	1
T6 RETRACTOR MOUNTING KIT	17639	1
T3 HDMI 10' CBL. AND BRACKET	17707	1
T3 HDMI 15' CBL. AND BRACKET	17726	1
T3 RETRACTOR MOUNTING KIT	17709	1

REQUIRED SYSTEM OPTIONS	FSR P/N	QTY.
CABLE RETRACTOR HDMI BLACK	17632	-
CABLE RETRACTOR HDMI BLUE	17633	-
CABLE RETRACTOR HDMI RED	17634	-
CABLE RETRACTOR HDMI YELLOW	17635	-
CABLE RETRACTOR VGA	17636	-
CABLE RETRACTOR AUDIO	17637	-
CABLE RETRACTOR CAT-6	17638	-
CABLE RETRACTOR DP TO HDMI	17723	-
CABLE RETRACTOR Mini DP TO HDMI	17724	-
CABLE RETRACTOR USB/USB TYPE A	17725	-

SYSTEM OPTIONS	FSR P/N	QTY.
HDMI TO VGA KIT	17522	-
15' DISPLAYPORT TO HDMI CABLE	26942	-
15' Mini DISPLAYPORT TO HDMI CABLE	26943	-
15' USB TO USB M/M TYPE A CABLE	26944	-
USB SNAP-IN CHARGER W/P.S.	17459	1-3
USB SNAP-IN CHARGER W/O P.S.	17614	1-3
SS-USB-CHRG-PS6	17587	1

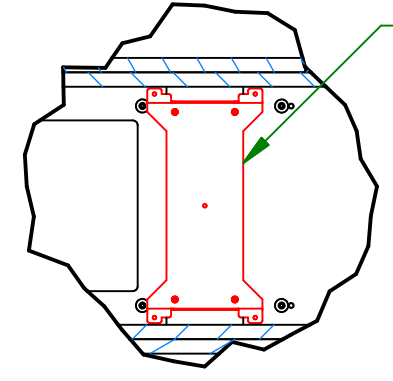
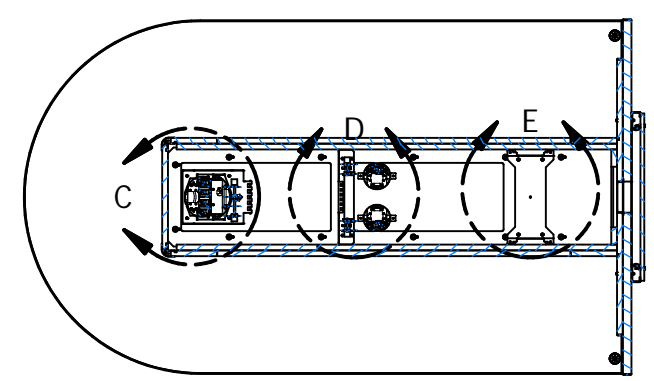
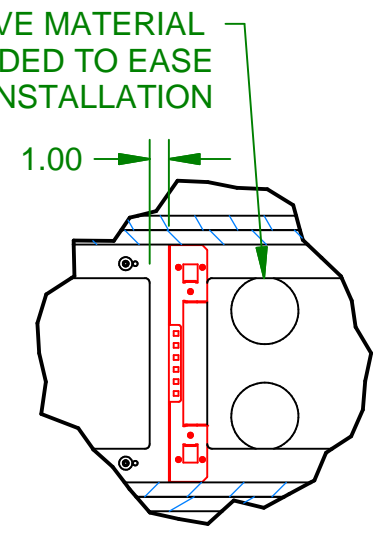
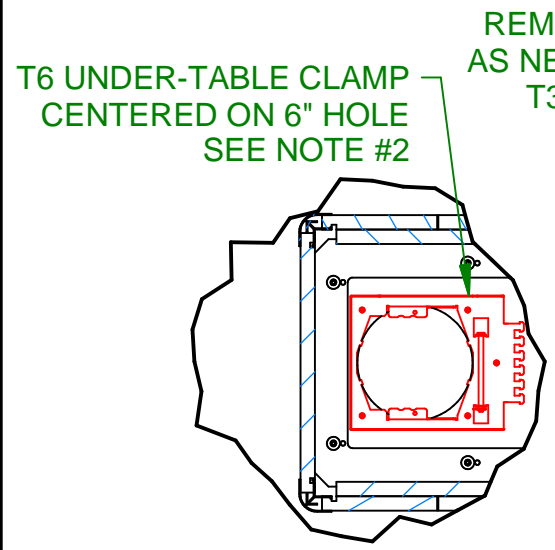
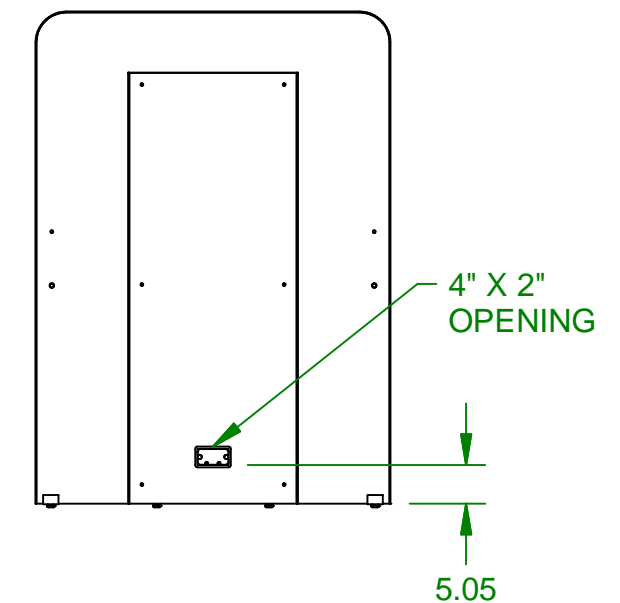
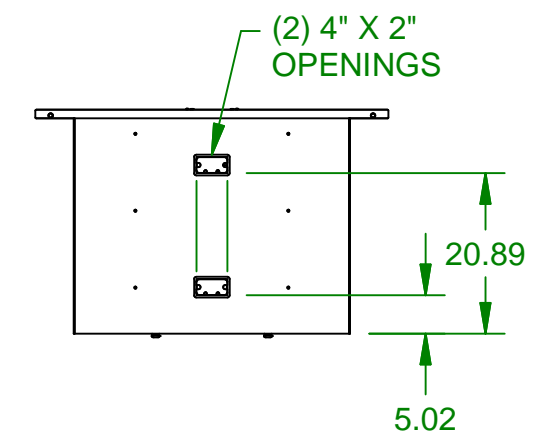
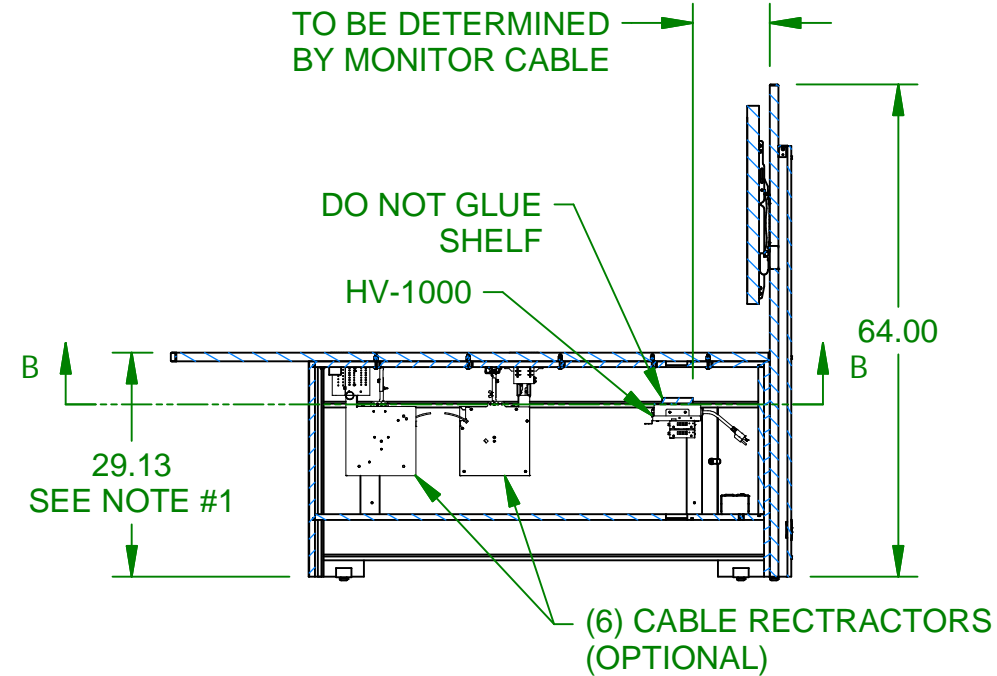
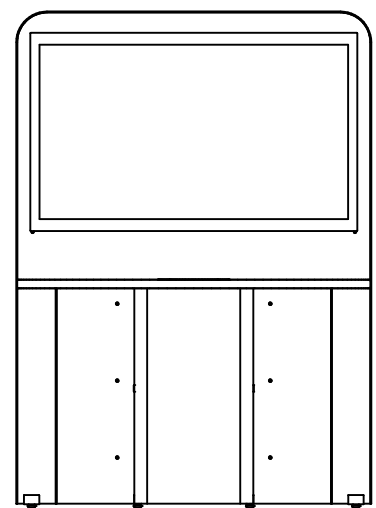
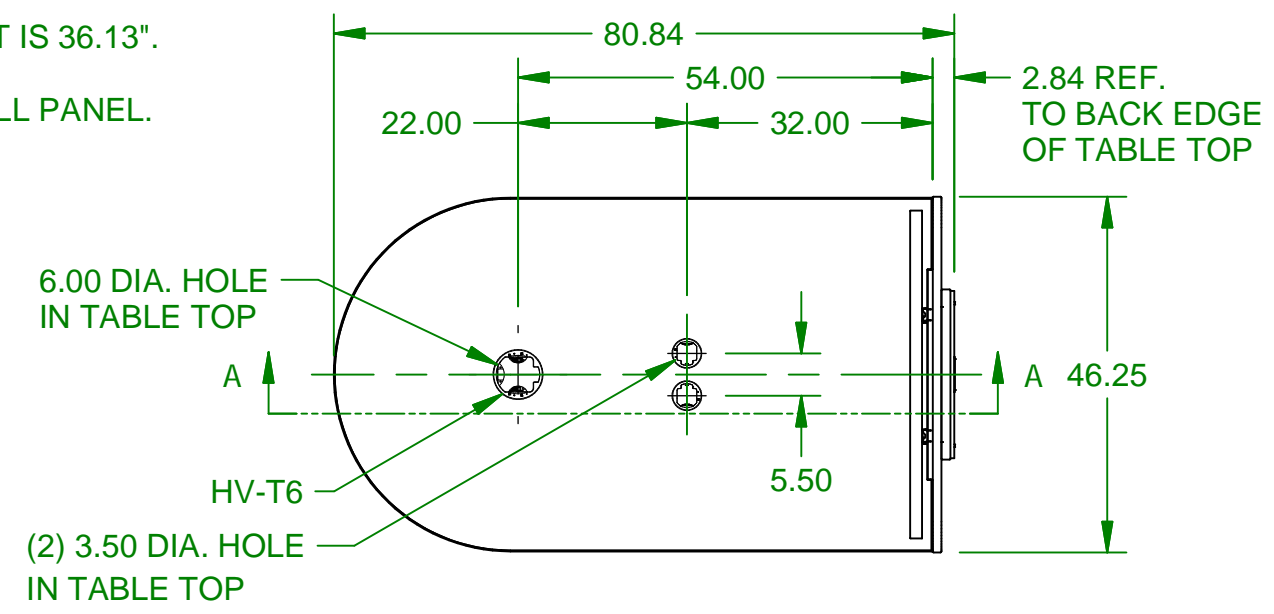
The drawing and specifications, herein are the property of FSR Inc. and shall not be reproduced or copied or used in whole or in part as the basis for the manufacture or sale of items without written permission.

 244 Bergen Blvd. W. Paterson, NJ 07424 Tel: (201) 785-4347	TITLE:
	HuddleVU TABLE CONFIGURATION WIRING DIAGRAM CONFIGURATION "2"

NOTES:	SCALE: -
DATE: 7-29-2014	DRAWN BY: A.B.
UPDATE NO.: INITAL	SIGN OFF:
CLIENT:	DWG. NO. CONFIG2-BTN

- NOTES:
 1. TABLE HEIGHT SHOWN; COUNTER HEIGHT IS 36.13".
 2. USE SUPPLIED HARDWARE.
 3. TABLE SHOWN WITH OPTIONAL REAR WALL PANEL.

REV	DATE	CHANGE DESCRIPTION
01	11/17/14	ADDED CABLE EXIT VIEW FOR TABLE ONLY. ADDED NOTE(S).



FSR inc.
 244 BERGEN BLVD.
 WOODLAND PARK, NJ 07424
 TEL. (973) 785-4347
 FAX. (973) 785-3318

PROJECT: HV TABLE

TITLE:
 HV-1000 & (2) HV-T3 - PUSH
 BUTTON; 6 INPUTS / 1 OUTPUT

SCALE: DO NOT SCALE DRAWING

TOLERANCES: .XX ±.02 .XXX: ±.01
 FRACT: ±1/64 ANGLES: ±1°

ORIGINALLY DRAWN BY: GKV DATE: 10/02/14

HOLES or COUNTERBORES, INTENDED FOR PEMs OR OTHER INSERTED HARDWARE: +.003 / -0

CURRENT REV. DRAWN BY: GKV DATE: 11/17/14

NETWORK INFORMATION:
 FILE NAME: HV-TABLE DATE: 11/17/14

APPROVED: **D Hansen** DATE: 11/17/14

DIRECTORY: G:\TABLEBOX\TABLES

DWG.#: CONFIG2-BTN REV: 01 PART#: 73248

DETAIL C
 T6 OMITTED
 SCALE 0.1 : 1

DETAIL D
 T3 OMITTED
 SCALE 0.1 : 1

SECTION B-B
 SCALE 0.04 : 1

DETAIL E
 SCALE 0.1 : 1

SECTION A-A
 SCALE 0.04 : 1

CABLE EXIT - TABLE
 SCALE 0.04 : 1

CABLE EXIT - WALL PANEL
 SCALE 0.04 : 1