

MAXIMUM 2 VGA+AUDIO OPTION FOR CABLE PULL SYSTEMS
MAXIMUM 3 VGA+AUDIO OPTION FOR CABLE RETRACTOR SYSTEMS

SYSTEM COFIGURATION	FSR P/N	QTY.
HV-T6-FLEX 4-6 HDMI INPUT BOX	17594	1

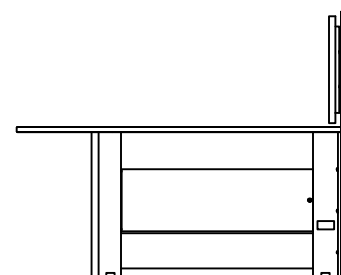
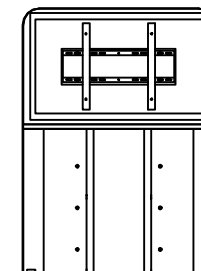
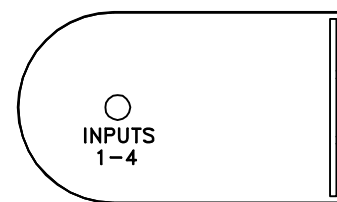
CABLE PULL	FSR P/N	QTY.
REQUIRED SYSTEM OPTIONS		
4 HDMI 10' CBL. IN T6 LG. BRKT.	17703	1
4 HDMI 15' CBL. IN T6 LG. BRKT.	17704	1
2 HDMI 10' CBL. IN SMALL HALF BRKT.	17705	1
2 HDMI 15' CBL. IN SMALL HALF BRKT.	17706	1

RETRACTOR	FSR P/N	QTY.
REQUIRED SYSTEM OPTIONS		
T6 RETRACTOR MOUNTING KIT	17639	-
CABLE RETRACTOR HDMI BLACK	17632	-
CABLE RETRACTOR HDMI BLUE	17633	-
CABLE RETRACTOR HDMI RED	17634	-
CABLE RETRACTOR HDMI YELLOW	17635	-
CABLE RETRACTOR VGA	17636	-
CABLE RETRACTOR AUDIO	17637	-
CABLE RETRACTOR CAT-6	17638	-
CABLE RETRACTOR DP TO HDMI	17723	-
CABLE RETRACTOR Mini DP TO HDMI	17724	-
CABLE RETRACTOR USB/USB TYPE A	17725	-

SYSTEM OPTIONS	FSR P/N	QTY.
HDMI TO VGA KIT	17522	-
15' DISPLAYPORT TO HDMI CABLE	26942	-
15' Mini DISPLAYPORT TO HDMI CABLE	26943	-
15' USB TO USB M/M TYPE A CABLE	26944	-
USB SNAP-IN CHARGER W/P.S.	17459	1-2
USB SNAP-IN CHARGER W/O P.S.	17614	1-2
SS-USB-CHRG-PS6	17587	1

TABLE COFIGURATION	FSR P/N	QTY.
TABLE CONFIGURATION 1	17718	1
TABLE CONFIGURATION MAPLE FINISH	17714	1

TABLE COFIGURATION OPTIONS	FSR P/N	QTY.
HVTB BASE TABLE HEIGHT	17712	1
HVTBBASE COUNTER HEIGHT	17713	1
MAPLE WALL PANEL 1/2 MONITOR	17715	1
SINGLE MONITOR MOUNT	38133	1
DUAL MONITOR MOUNT	17716	1
DUGOUT	XXXXX	1

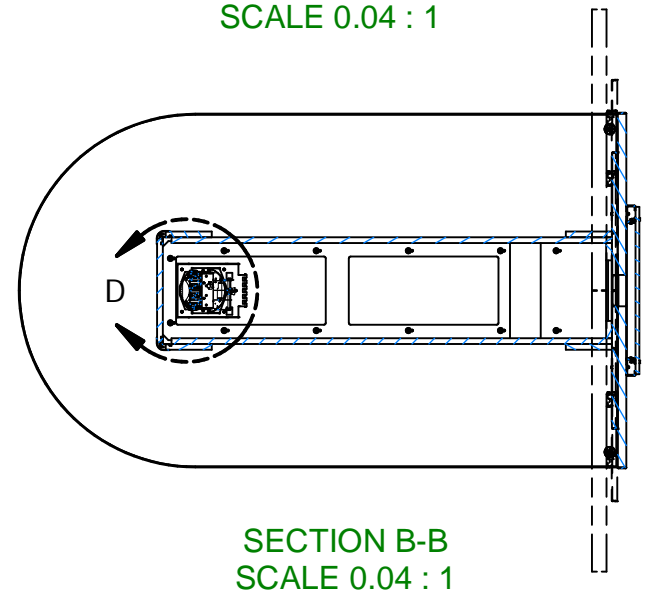
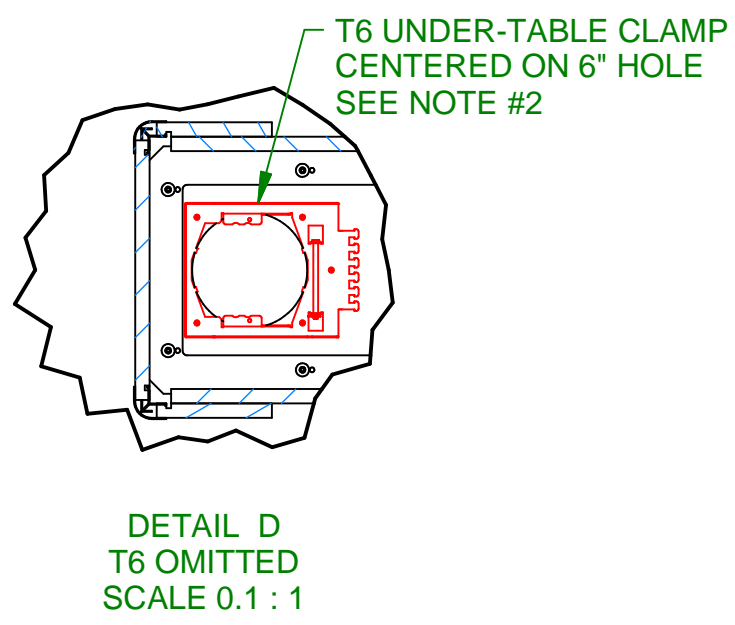
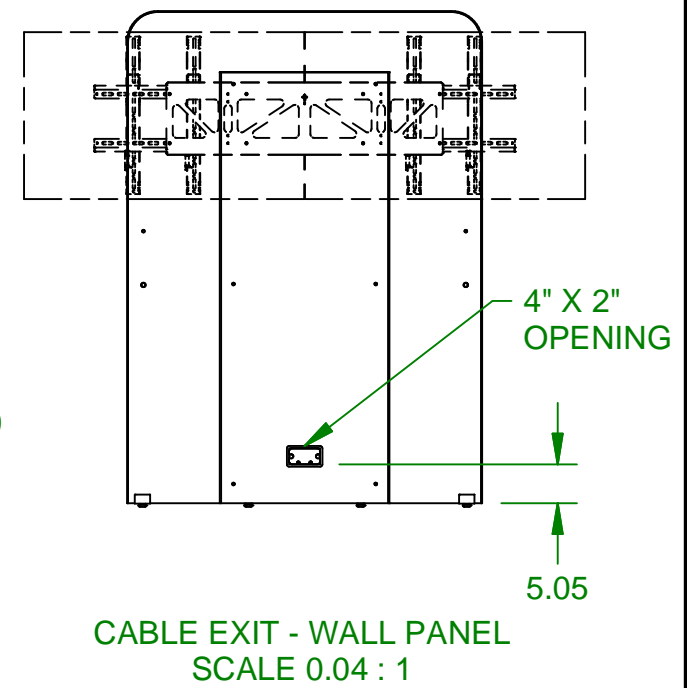
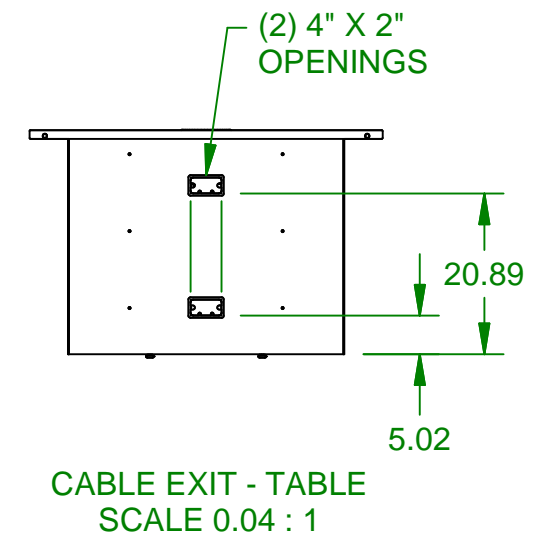
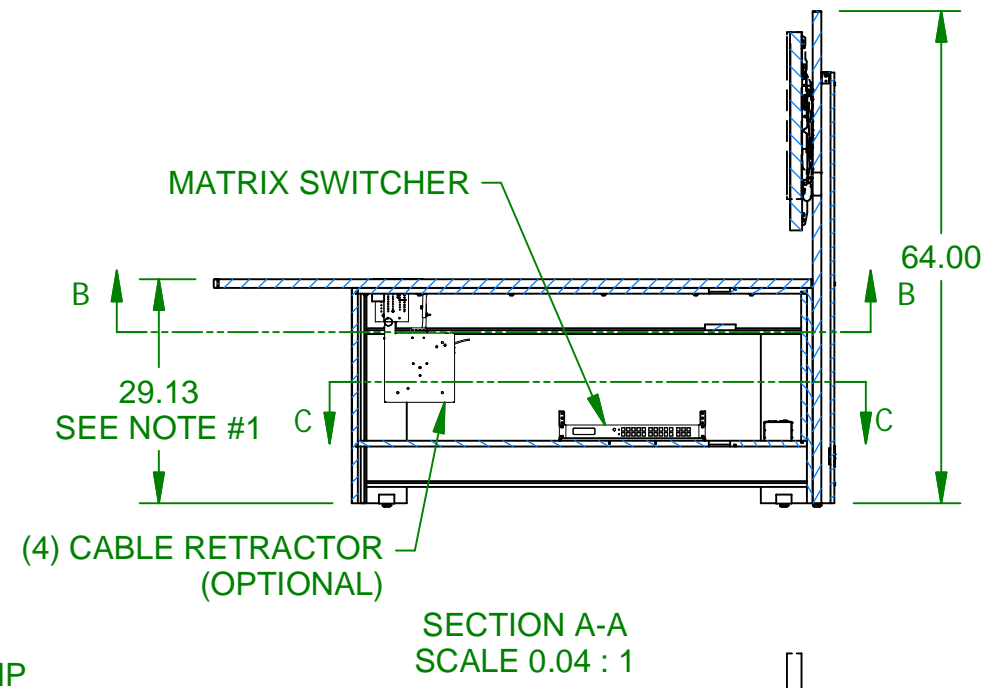
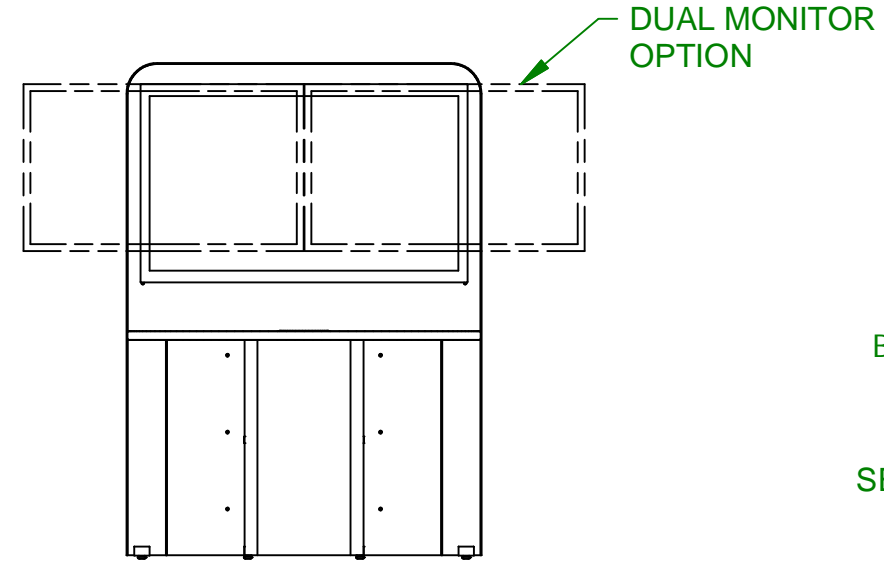
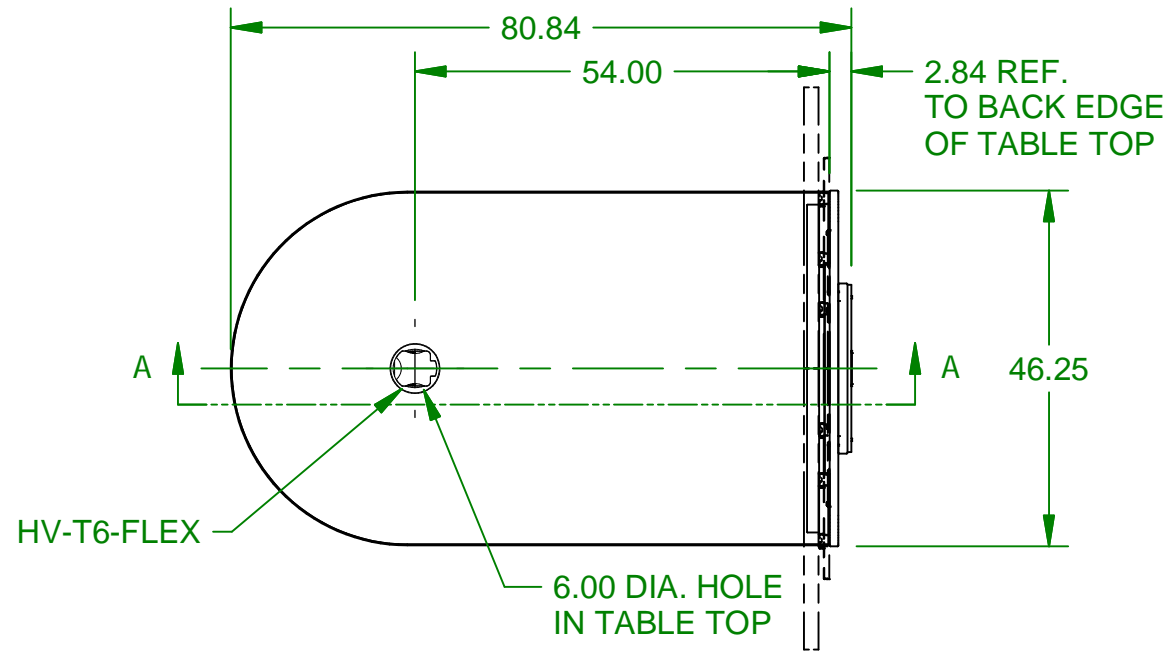
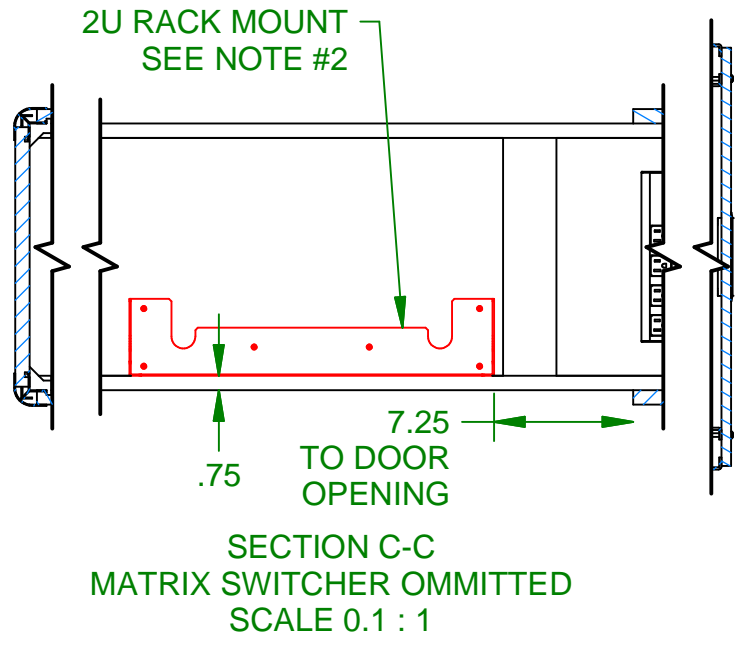


The drawing and specifications, herein are the property of FSR Inc. and shall not be reproduced or copied or used in whole or in part as the basis for the manufacture or sale of items without written permission.

FSR inc. 244 Bergen Blvd. W. Paterson, NJ 07424 Tel: (201) 785-4347	TITLE:	HuddleVu FLEX TABLE CONFIGURATION WIRING DIAGRAM CONFIGURATION "1"
---	--------	--

NOTES:	SCALE: -
DATE: 7-29-2014	DRAWN BY: A.B.
UPDATE NO.: INITAL	SIGN OFF:
CLIENT:	DWG. NO. CONFIG1-FLX

REV	DATE	CHANGE DESCRIPTION
01	11/17/14	ADDED CABLE EXIT VIEW FOR TABLE ONLY. ADDED NOTE(S).



- NOTES:
1. TABLE HEIGHT SHOWN; COUNTER HEIGHT IS 36.13".
 2. USE SUPPLIED HARDWARE.
 3. TABLE SHOWN WITH OPTIONAL REAR WALL PANEL.

FSR inc. 244 BERGEN BLVD. WOODLAND PARK, NJ 07424 TEL. (973) 785-4347 FAX. (973) 785-3318		PROJECT: HV TABLE TITLE: HV-T6-FLEX - TOUCH SCREEN; 6 INPUTS / 8 OUTPUTS	
TOLERANCES: .XX ±.02 .XXX: ±.01 FRACT: ±1/64 ANGLES: ±1°		SCALE: DO NOT SCALE DRAWING	
HOLES or COUNTERBORES, INTENDED FOR PEMs OR OTHER INSERTED HARDWARE: +.003 / -0		ORIGINALLY DRAWN BY: GKV	DATE: 10/02/14
NETWORK INFORMATION: FILE NAME: HV-TABLE DATE: 11/17/14 DIRECTORY: G:\TABLEBOX\TABLES		CURRENT REV. DRAWN BY: GKV	DATE: 11/17/14
APPROVED: D Hansen		DWG.# CONFIG1-FLEX	DATE: 11/17/14 REV. 01 PART# 73247