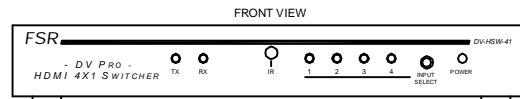
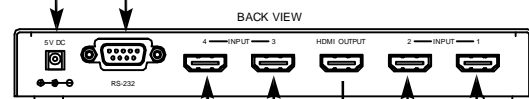
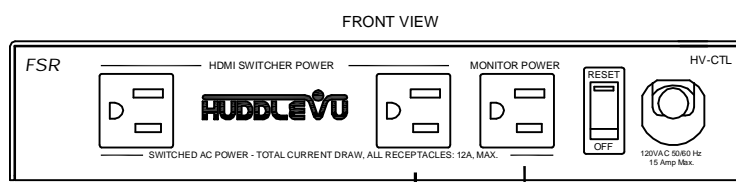
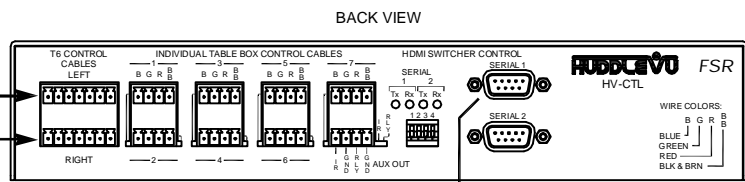


T6 LEFT SIDE CONTROL WIRE HARNESS  
SW1 = BLACK / SW2 = RED

T6 RIGHT SIDE CONTROL WIRE HARNESS  
SW3 = YELLOW / SW4 = BLUE

BLUE HDMI CABLE 10'/15'  
YELLOW HDMI CABLE 10'/15'  
RED HDMI CABLE 10'/15'  
BLACK HDMI CABLE 10'/15'

MAXIMUM 2 VGA+AUDIO OPTION FOR CABLE PULL SYSTEMS  
MAXIMUM 3 VGA+AUDIO OPTION FOR CABLE RETRACTOR SYSTEMS



TO MONITOR

TO MONITOR

SYSTEM COFIGURATION	FSR P/N	QTY.
HV-1000 HuddleVu T6	17495	1

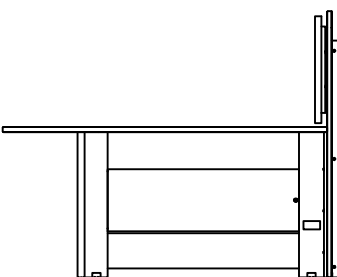
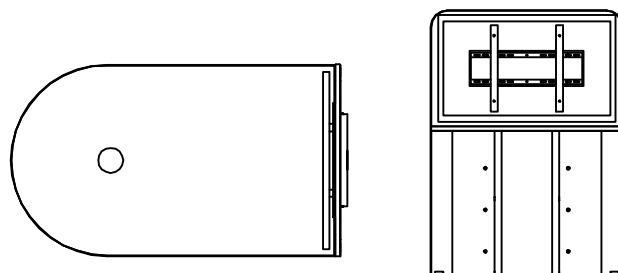
CABLE PULL	FSR P/N	QTY.
REQUIRED SYSTEM OPTIONS		
4 HDMI 10' CBL. IN T6 LG. BRKT.	17703	1
4 HDMI 15' CBL. IN T6 LG. BRKT.	17704	1

RETRACTOR	FSR P/N	QTY.
REQUIRED SYSTEM OPTIONS		
T6 RETRACTOR MOUNTING KIT	17639	1
CABLE RETRACTOR HDMI BLACK	17632	-
CABLE RETRACTOR HDMI BLUE	17633	-
CABLE RETRACTOR HDMI RED	17634	-
CABLE RETRACTOR HDMI YELLOW	17635	-
CABLE RETRACTOR VGA	17636	-
CABLE RETRACTOR AUDIO	17637	-
CABLE RETRACTOR CAT-6	17638	-
CABLE RETRACTOR DP TO HDMI	17723	-
CABLE RETRACTOR Mini DP TO HDMI	17724	-
CABLE RETRACTOR USB/USB TYPE A	17725	-

SYSTEM OPTIONS	FSR P/N	QTY.
HDMI TO VGA KIT	17522	-
15' DISPLAYPORT TO HDMI CABLE	26942	-
15' Mini DISPLAYPORT TO HDMI CABLE	26943	-
15' USB TO USB M/M TYPE A CABLE	26944	-
USB SNAP-IN CHARGER W/P.S.	17459	1-3
USB SNAP-IN CHARGER W/O P.S.	17614	1-3
SS-USB-CHRG-PS6	17587	1

TABLE COFIGURATION	FSR P/N	QTY.
TABLE CONFIGURATION 1	17717	1
TABLE CONFIGURATION MAPLE FINISH	17714	1

TABLE COFIGURATION OPTIONS	FSR P/N	QTY.
HVTB BASE TABLE HEIGHT	17712	1
HVTBBASE COUNTER HEIGHT	17713	1
MAPLE WALL PANEL 1/2 MONITOR	17715	1
SINGLE MONITOR MOUNT	38133	1
DUGOUT	XXXXX	1



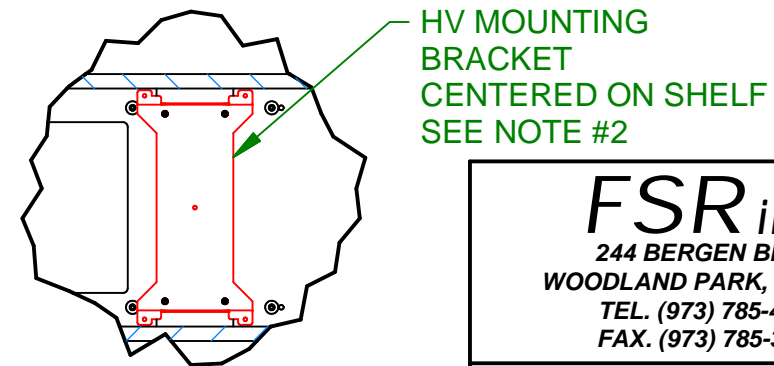
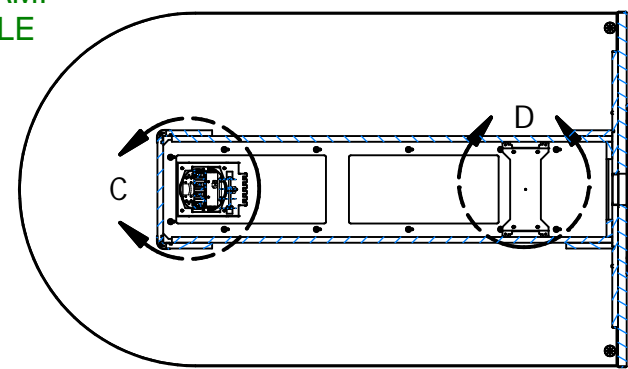
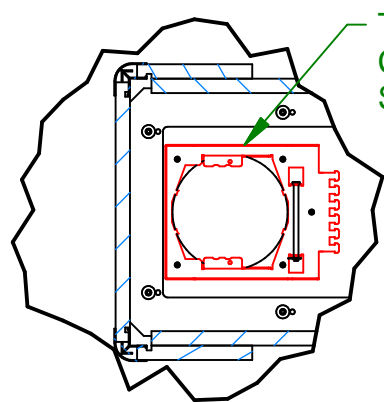
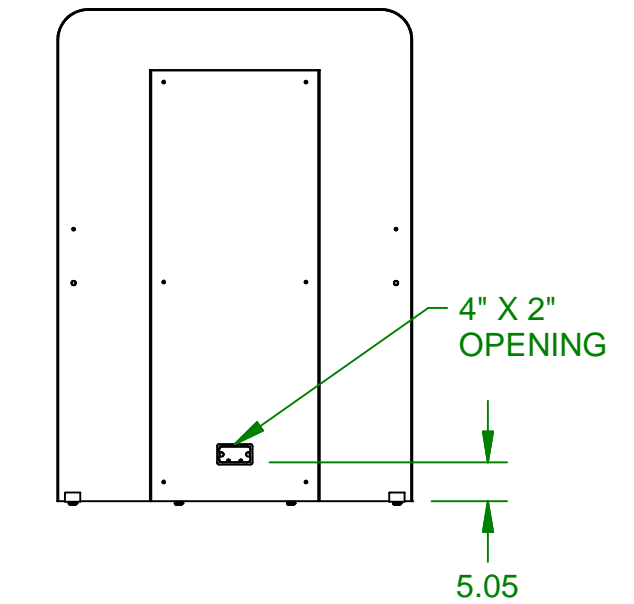
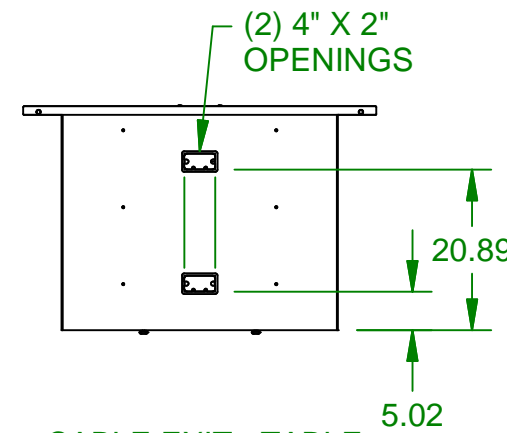
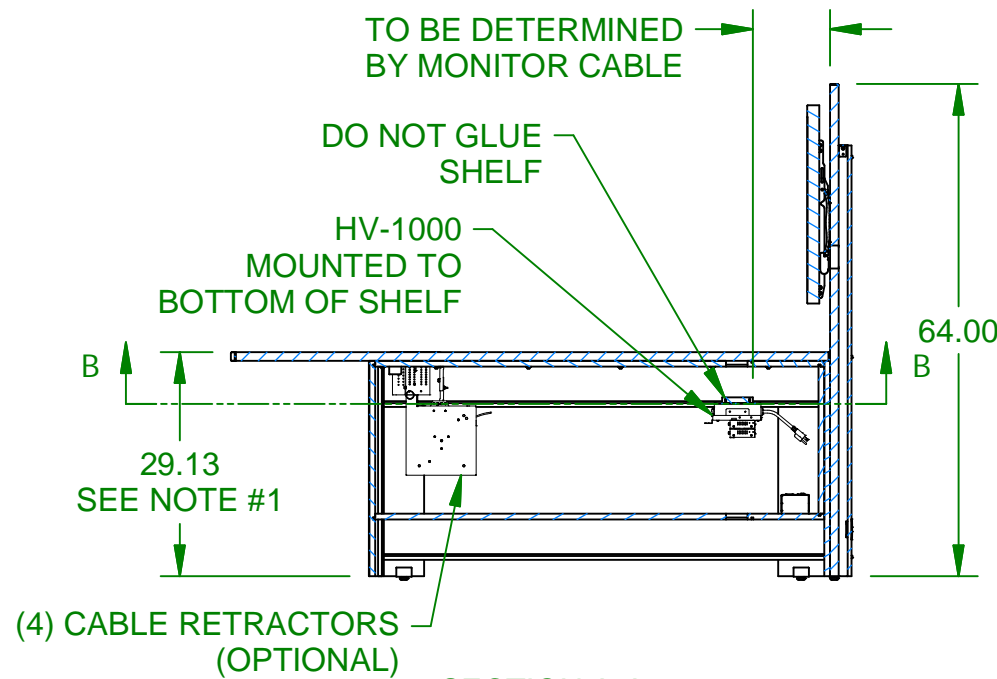
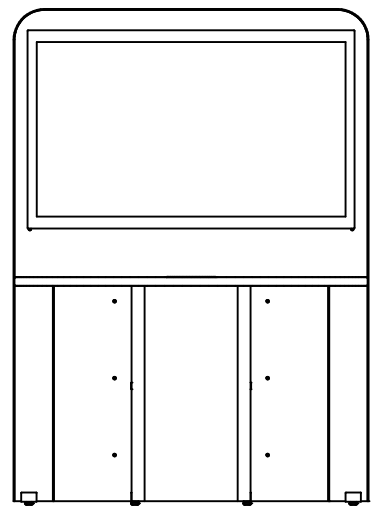
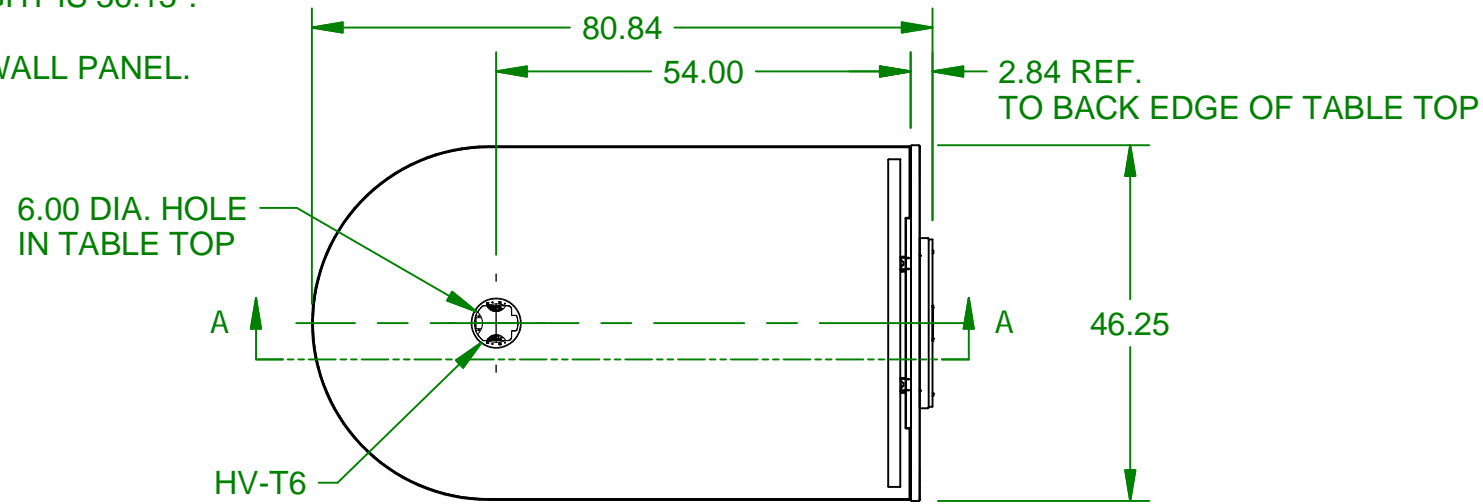
The drawing and specifications, herein are the property of FSR Inc. and shall not be reproduced or copied or used in whole or in part as the basis for the manufacture or sale of items without written permission.

<b>FSR inc.</b> 244 Bergen Blvd. W. Paterson, NJ 07424 Tel: (201) 785-4347	TITLE:
	HuddleVu TABLE CONFIGURATION WIRING DIAGRAM CONFIGURATION "1" BUTTON

NOTES:	SCALE: -
DATE: 7-29-2014	DRAWN BY: A.B.
UPDATE NO.: INITAL	SIGN OFF:
PAGE 1 OF 1	DWG. NO. CONFIG1-BTN
CLIENT:	

- NOTES:  
 1. TABLE HEIGHT SHOWN; COUNTER HEIGHT IS 36.13".  
 2. USE SUPPLIED HARDWARE.  
 3. TABLE SHOWN WITH OPTIONAL REAR WALL PANEL.

REV	DATE	CHANGE DESCRIPTION
01	11/17/14	ADDED CABLE EXIT VIEW FOR TABLE ONLY. ADDED NOTE(S).



<b>FSR inc.</b> 244 BERGEN BLVD. WOODLAND PARK, NJ 07424 TEL. (973) 785-4347 FAX. (973) 785-3318		PROJECT: HV TABLE	
		TITLE: HV-1000 - PUSH BUTTON; 4 INPUTS / 1 OUTPUT	
TOLERANCES: .XX ±.02 .XXX: ±.01 FRACT: ±1/64 ANGLES: ±1°		SCALE:	DO NOT SCALE DRAWING
HOLES or COUNTERBORES, INTENDED FOR PEMs OR OTHER INSERTED HARDWARE: +.003 / -0		ORIGINALLY DRAWN BY: GKV	DATE: 10/02/14
NETWORK INFORMATION:		CURRENT REV. DRAWN BY: GKV	DATE: 11/17/14
FILE NAME: HV-TABLE	DATE: 11/17/14	APPROVED: <b>D Hansen</b>	DATE: 11/17/14
DIRECTORY: G:\TABLEBOX\TABLES	DWG.#: CONFIG1-BTN	REV: 01	PART#: 73246