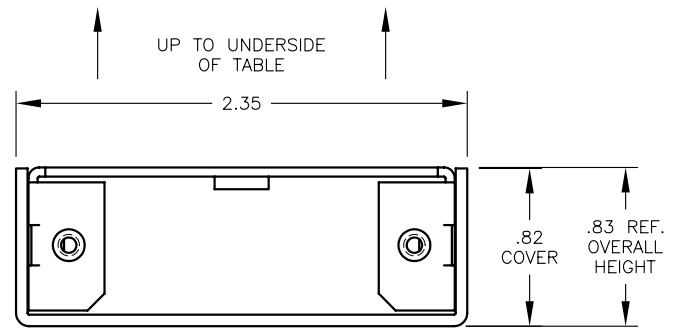
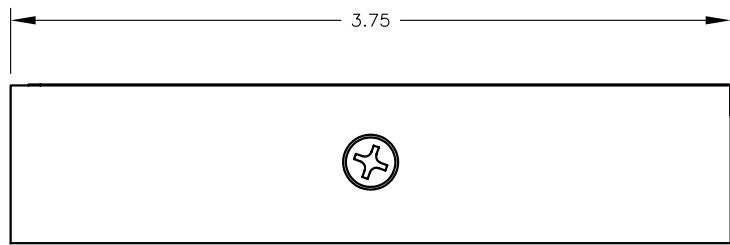


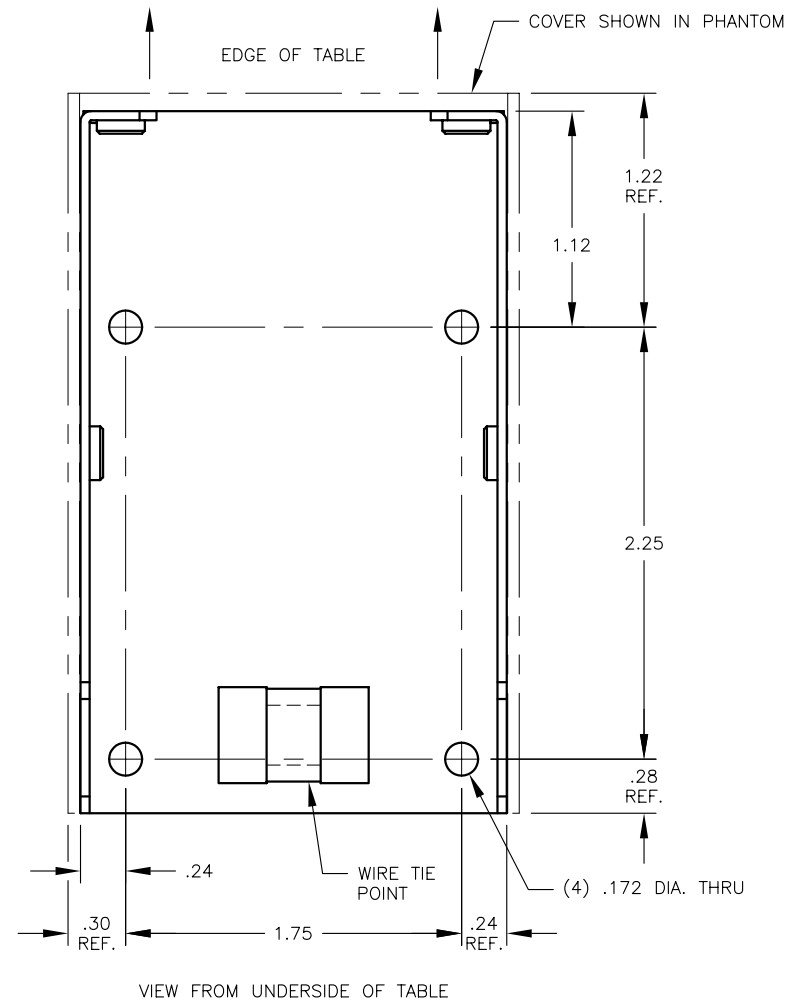
4 | 3 | 2 | 1



FRONT FACE



SIDE VIEW



VIEW FROM UNDERSIDE OF TABLE

C

C

B

B

A

A

4 | 3 | 2 | 1

FSR inc.
 244 BERGEN BLVD.
 W. PATERSON, NJ 07424
 TEL. (973) 785-4347
 FAX (973) 785-3318

TITLE:		
IPS UNDER-TABLE MOUNT		
IPS-UT11		
DRAWN BY: JRE	DATE: 06/01/06	REV: -
DWG#: IPS-UT11	PAGE: 1 OF 1	SCALE: 1:1