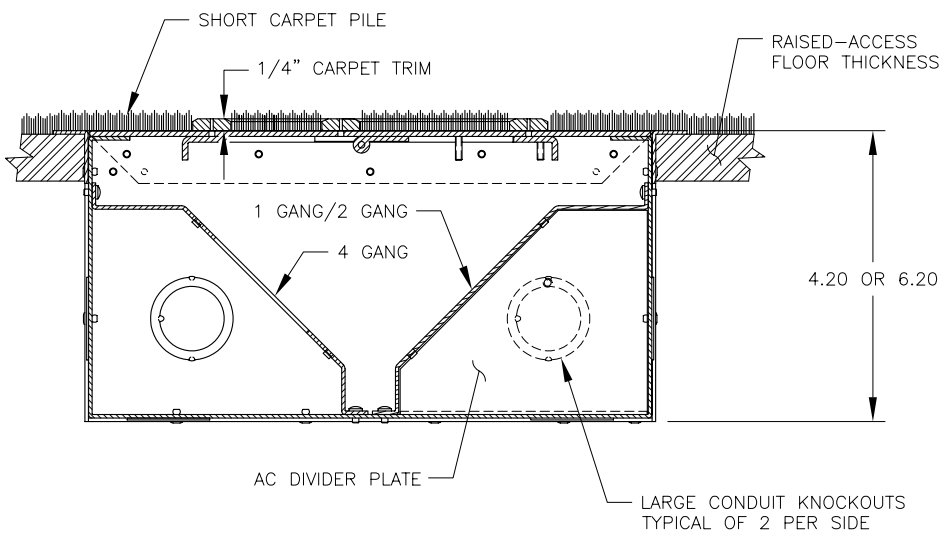
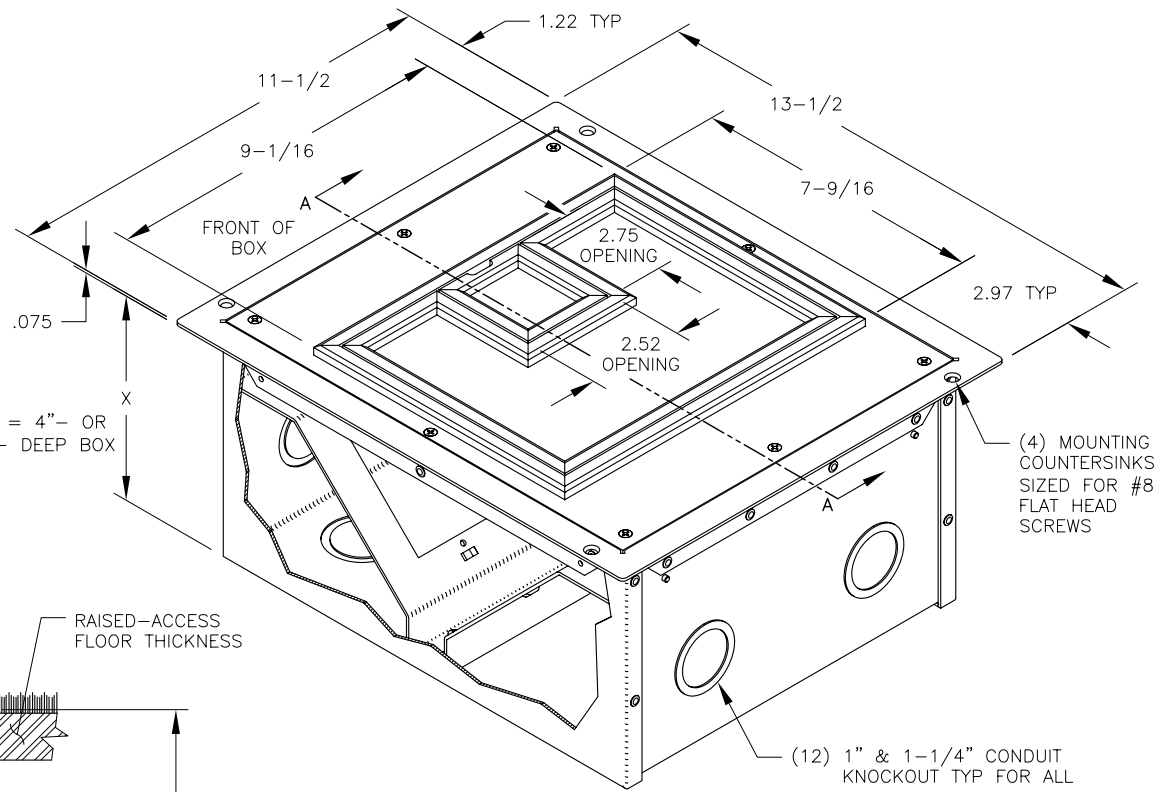


8 7 6 5 4 3 2 1

F  
E  
D  
C  
B  
A



SEE DRAWING FL-500P-4 OR FL-500P-6 FOR CONNECTOR CLEARANCES AND KNOCKOUT LOCATIONS.

SECTION A-A

<b>FSR</b> inc. 244 BERGEN BLVD. W. PATERSON, NJ 07424 TEL. (973) 785-4347 FAX (973) 785-3318	TITLE: INSTALLATION CROSS SECTION		
	FL-540P-SLP/BLP		
	DRAWN BY: JRE	DATE: 07/07/05	REV: -
	DWG#: FL-540P-ISO	SCALE: 1:2	

8 7 6 5 4 3 2 1