

1/4" FLOOR COVERING  
 TOP OF FLOOR BOX COVER MUST BE FLUSH WITH CONCRETE FLOOR

1/4" DOOR TRIM

4 GANG

1 GANG/2 GANG

AC DIVIDER PLATE

LEVELING FEET

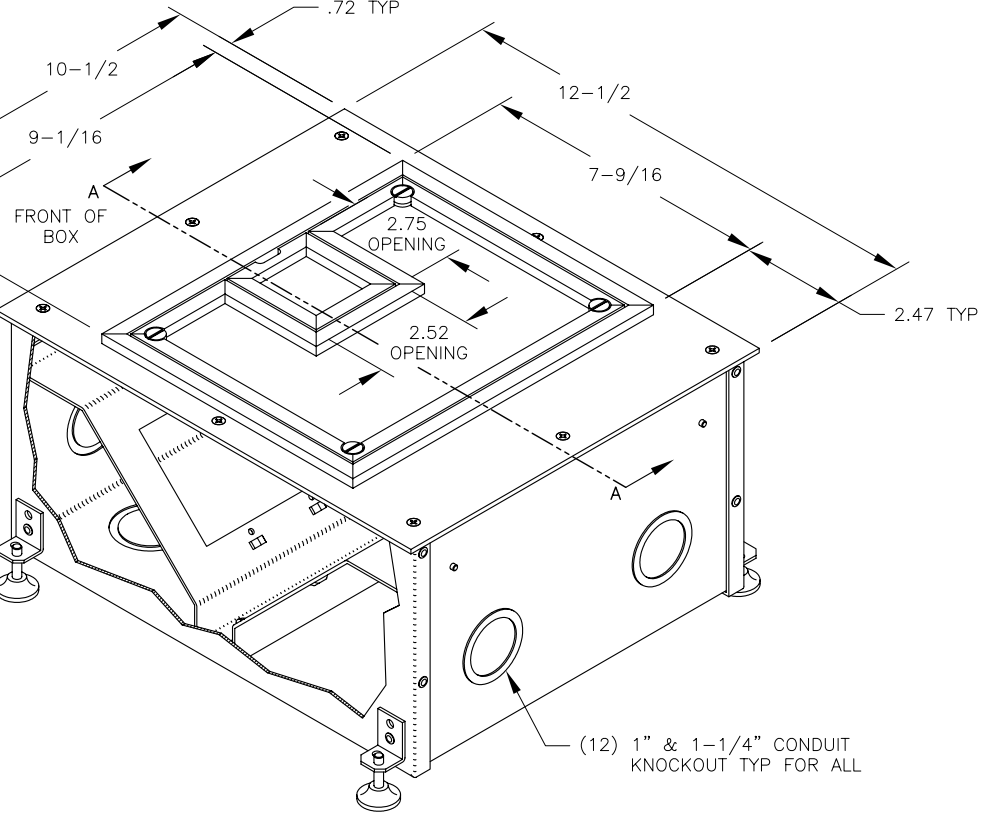
4.20 OR 6.20

POURED CONCRETE FLOOR

LARGE CONDUIT KNOCKOUTS TYPICAL OF 2 PER SIDE

SEE DRAWING FL-500P-4 OR FL-500P-6 FOR CONNECTOR CLEARANCES AND KNOCKOUT LOCATIONS.

SECTION A-A



<b>FSR inc.</b> 244 BERGEN BLVD. W. PATERSON, NJ 07424 TEL. (973) 785-4347 FAX (973) 785-3318	TITLE: INSTALLATION CROSS SECTION WTFL-500P-SSQ/BSQ		
	DRAWN BY: JRE	DATE: 07/05/05	REV: -
	DWG#: FL-500P-SQ-ISO SCALE: 1:2		