

4

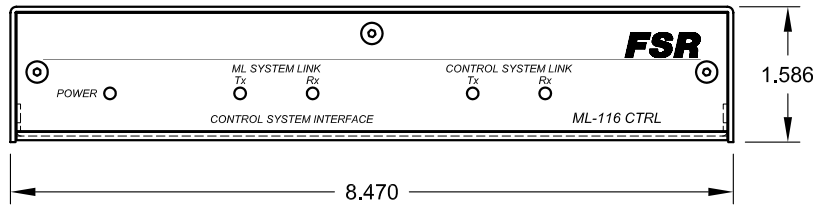
3

2

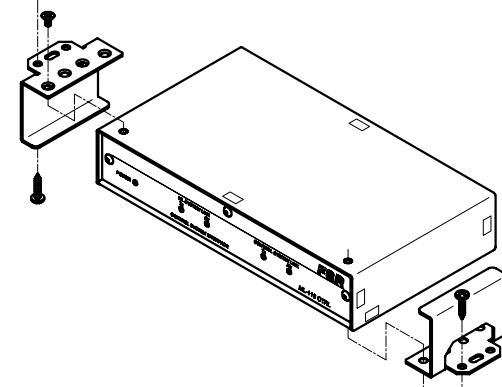
1

C

C



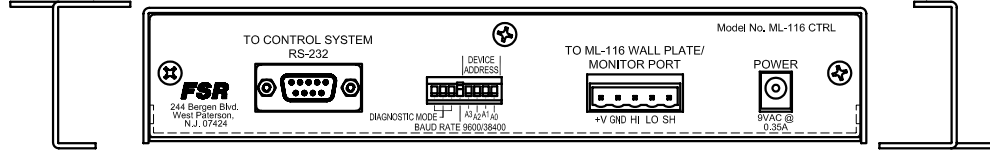
UNDER-SURFACE MOUNTING ORIENTATION



TOP-SURFACE MOUNTING ORIENTATION

OPTIONAL SURFACE MOUNTING BRACKET

OPTIONAL SURFACE MOUNTING BRACKET

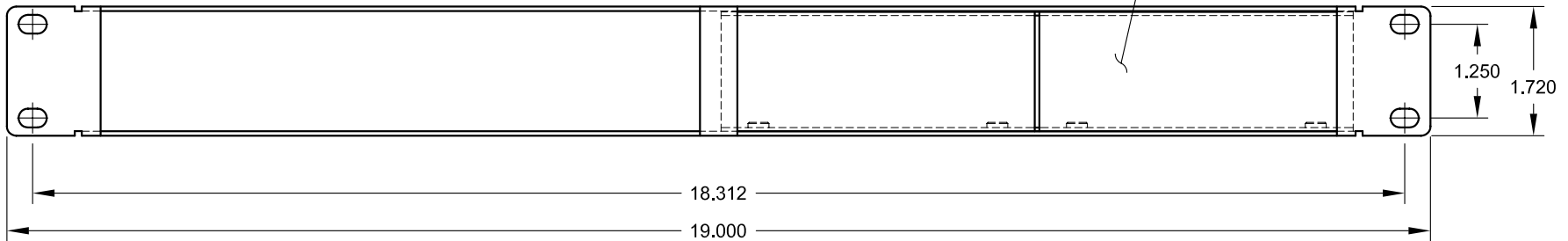


UNDER-SURFACE MOUNTING ORIENTATION

TOP-SURFACE MOUNTING ORIENTATION

CHASSIS DEPTH INSIDE RACK IS 4.90 IN.

OPTIONAL BLANK SPACE FILLER



PROVIDED RACK MOUNT KIT

B

B

A

A

4

3

2

1

FSR *INC.*
 244 BERGEN BLVD.
 W. PATERSON, NJ 07424
 TEL. (973) 785-4347
 FAX (973) 785-3318

TITLE: ML-116 CTRL
 CONTROL SYSTEM INTERFACE

DRAWN BY: JRE DATE: 04/08/08 REV: -

DWG#: ML-116 CTRL PAGE: 1 OF 1 SCALE: 1:2.25