

4

3

2

1

4

3

2

1

(1) 1/2" & 3/4" CONDUIT  
KNOCKOUT

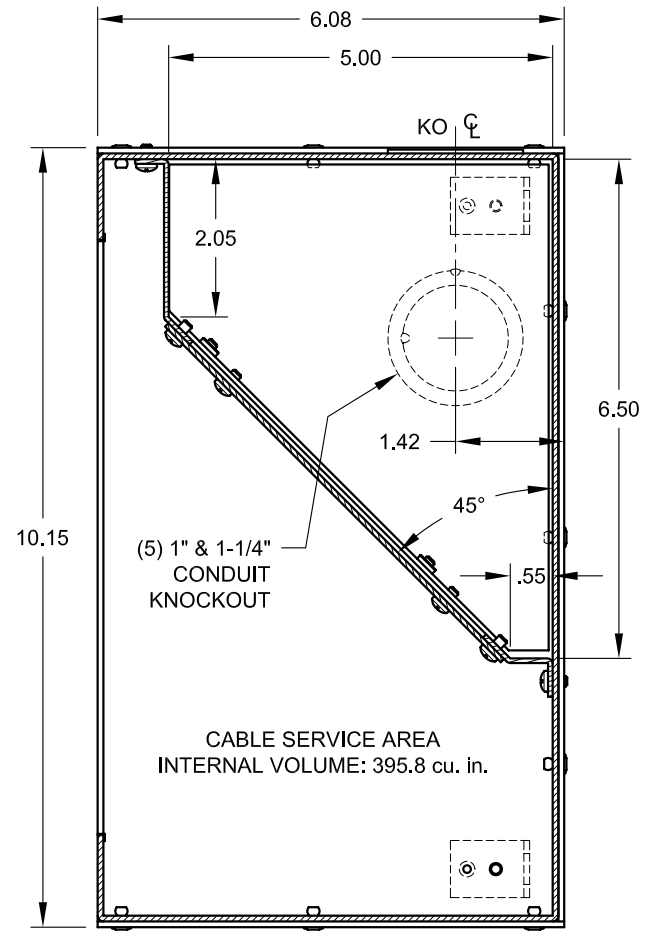
12.00  
1.49 2.80 3.15 3.15 1.41

2.48  
KO CL  
KO CL  
KO CL  
KO CL

2.88  
2.13  
1 GANG  
DIVIDER  
7.64  
5.40

INTERNAL VOLUME:  
59.7 cu. in.

INTERNAL VOLUME:  
198.2 cu. in.



SECTION A-A

**FSR** inc.  
244 BERGEN BLVD.  
W. PATERSON, NJ 07424  
TEL. (973) 785-4347  
FAX (973) 785-3318

TITLE: FL-2000 BOX		
DRAWN BY: JRE	DATE: 11/06/08	REV: -
DWG#: FL-2000	SCALE: 1:2.5	