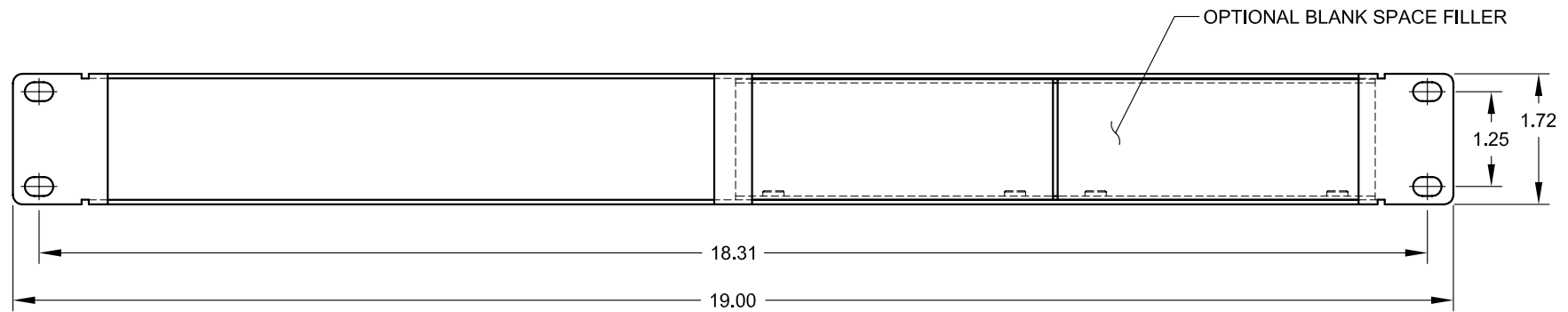
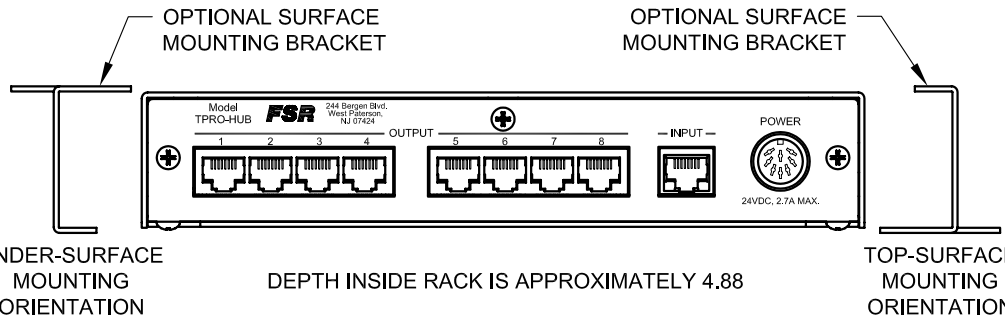
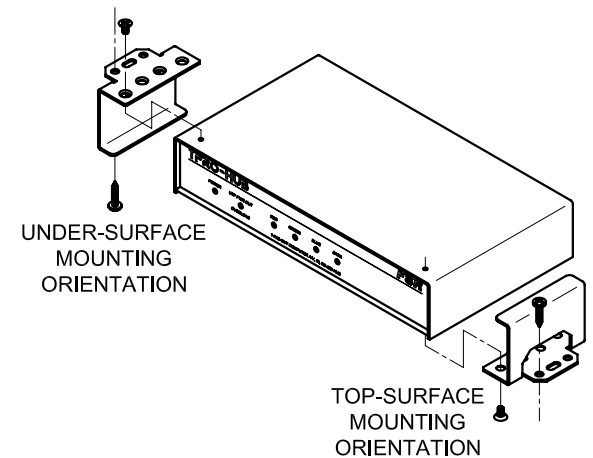
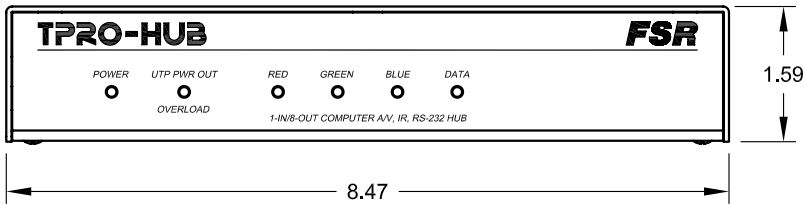


4 3 2 1



PROVIDED RACK MOUNT KIT

C

C

B

B

A

A

4 3 2 1

<b>FSR inc.</b> 244 BERGEN BLVD. WOODLAND PARK, NJ 07424 TEL: (973) 785-4347 FAX: (973) 785-3318	TITLE: TPRO-HUB		
	DRAWN BY: JRE	DATE: 05/07/09	REV: -
	DWG#: TPRO-HUB	SCALE: 1:2.25	