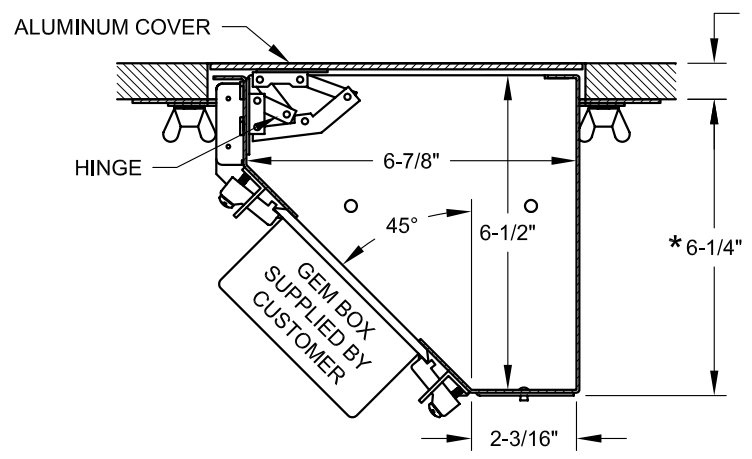


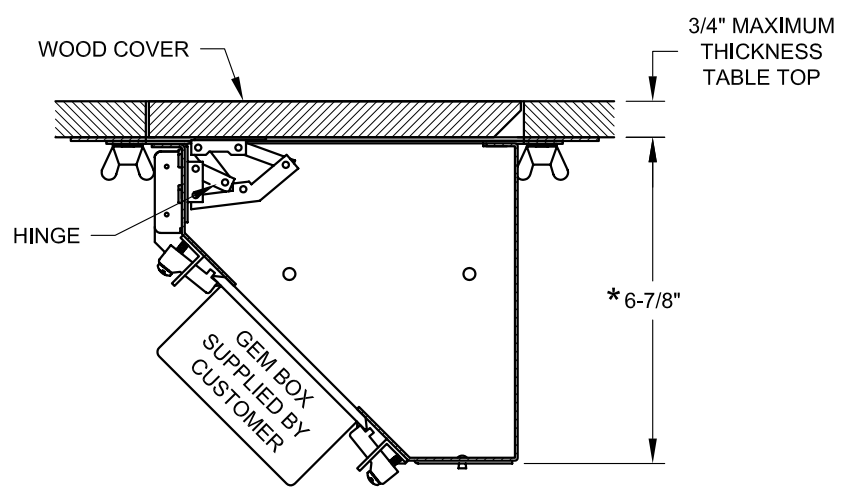
LID (WITH CABLE EXIT DOOR)
SHOWN IN PHANTOM

NOTES:

- 1 ALL DIMENSIONS ARE APPROXIMATE AND USED FOR REFERENCE ONLY.
- 2 * - THESE DIMENSIONS ARE BASED ON A TABLE SURFACE THICKNESS OF 3/4".



INSTALLATION WITH ALUMINUM COVER



INSTALLATION WITH WOOD COVER

FSR inc.
244 BERGEN BLVD.
WOODLAND PARK, NJ 07424
TEL (973) 785-4347
FAX (973) 785-3318

TITLE: TB-6G TABLE BOX		
DRAWN BY: JRE	DATE: 12/02/09	REV: -
DWG#: TB-6G	PAGE: 1 OF 1	SCALE: 1:4