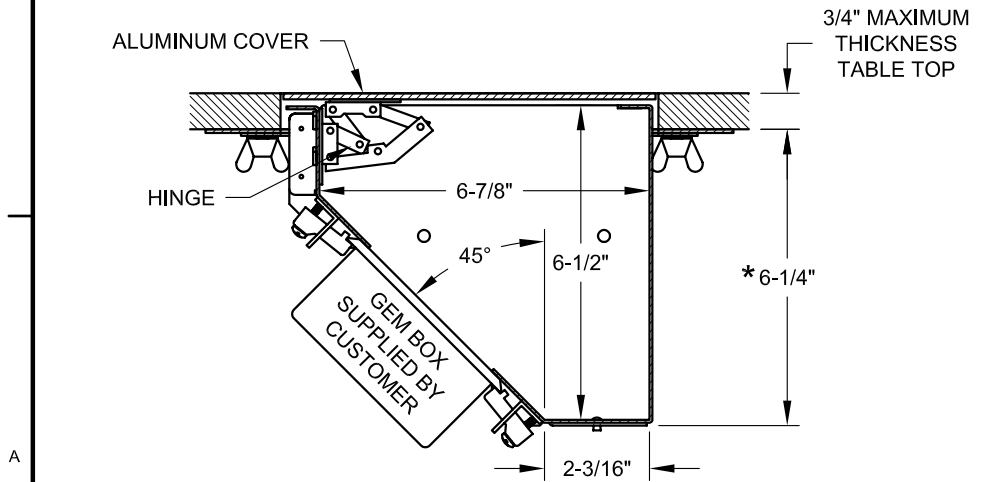
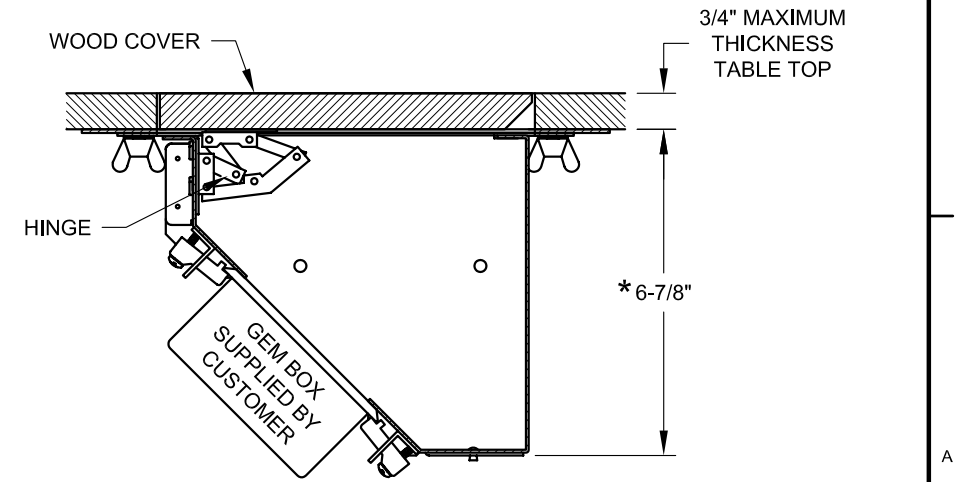


NOTES:

- 1 ALL DIMENSIONS ARE APPROXIMATE AND USED FOR REFERENCE ONLY.
- 2 \* - THESE DIMENSIONS ARE BASED ON A TABLE SURFACE THICKNESS OF 3/4".



INSTALLATION WITH ALUMINUM COVER



INSTALLATION WITH WOOD COVER

<b>FSR inc.</b> <small>244 BERGEN BLVD.          WOODLAND PARK, NJ 07424          TEL. (973) 785-4347          FAX (973) 785-3318</small>	TITLE: TB-4G TABLE BOX		
	DRAWN BY: JRE	DATE: 12/02/09	REV: -
	DWG#: TB-4G	PAGE: 1 OF 1	SCALE: 1:4