

DIMENSIONS SHOW THE AVAILABLE SPACE ABOVE AND BELOW THE
BLANK PLATE SURFACE WITH THE LID IN THE CLOSED POSITION

THIS DRAWING APPLIES TO THE FOLLOWING T3U OPTIONS:

T3U-1-PT (BLANK PLATE)

T3U-2-LPT (BLANK PLATE, LEFT SIDE)

T3U-2-RPT (BLANK PLATE, RIGHT SIDE)

FSR

244 BERGEN BLVD.
WEST PATERSON, NJ 07424
PH.#: (973) 785-4347

T3U-1&2 BLANK PANEL AVAILABLE SPACE

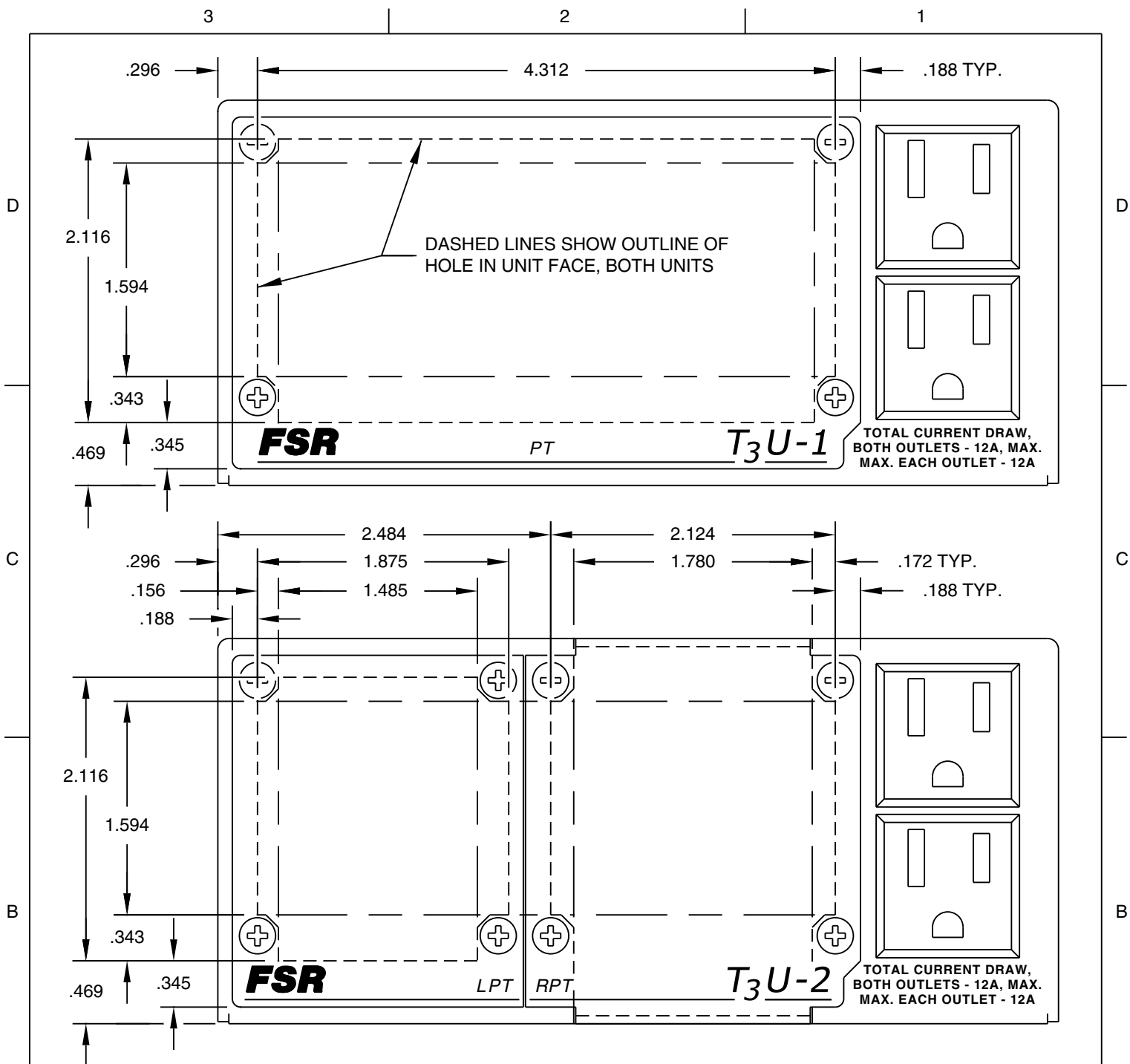
PRINT FILE: I:\...\C-1000.pdf

FILE NAME: G:\TABLEBOX\T3U-TB\T3U BLANKSPACE.dwg

SCALE .94:1

DATE: 07/31/02

APPR'V'D: D. Hansen



THIS DRAWING APPLIES TO THE FOLLOWING T3U OPTIONS:

T3U-1-PT (BLANK PLATE)

T3U-2-LPT (BLANK PLATE, LEFT SIDE)

T3U-2-RPT (BLANK PLATE, RIGHT SIDE)

FSR

244 BERGEN BLVD.
WEST PATERSON, NJ 07424
PH.#: (973) 785-4347

T3U-1&2 BLANK PLATES, FRONT VIEWS

PRINT FILE: I:\...\C-1001.pdf

FILE NAME: G:\TABLEBOX\T3U-TB\T3U PT FACE.dwg

SCALE: .94:1

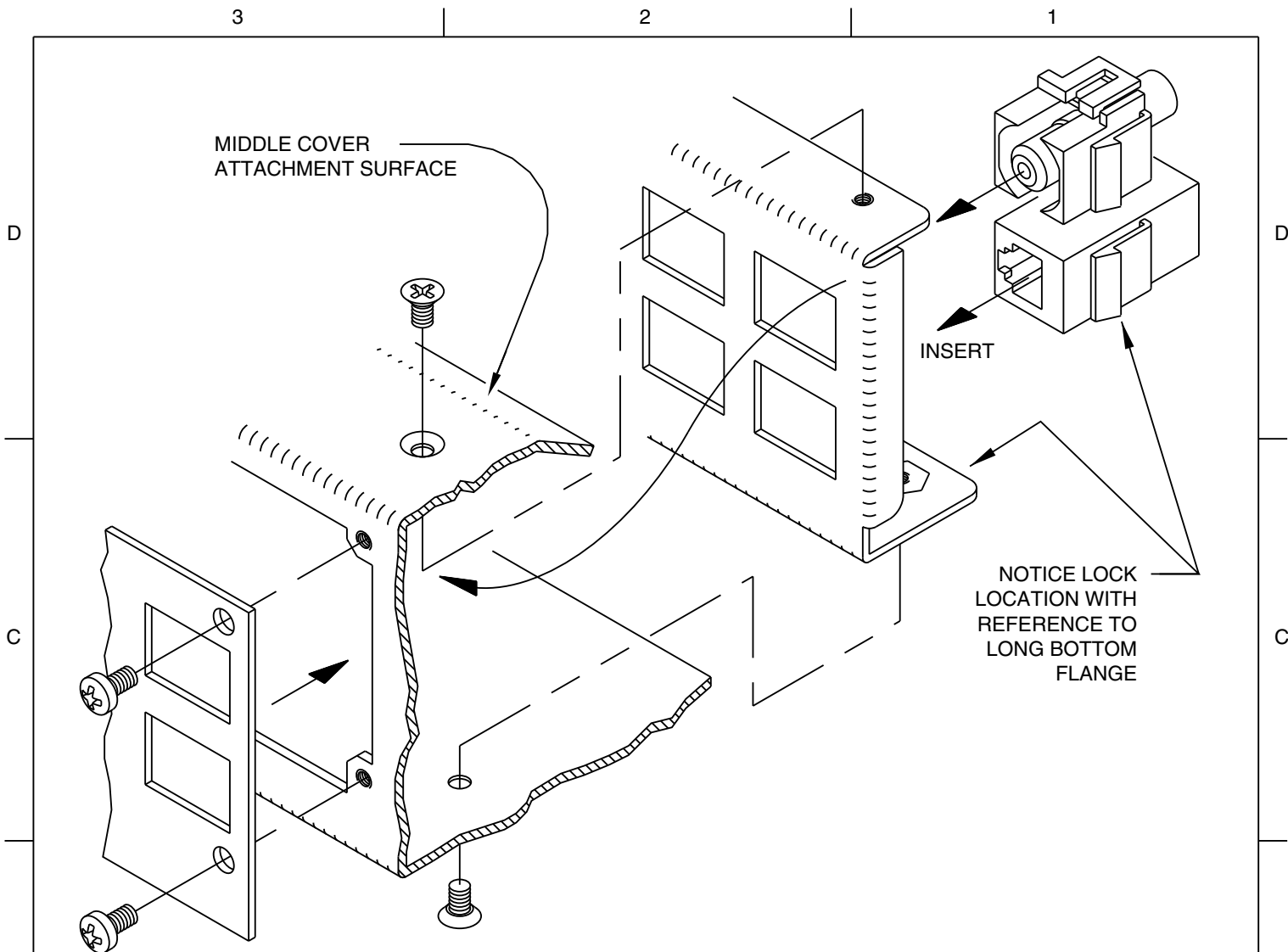
DATE: 07/31/02

APPR'V'D: D. Hansen

3

2

1



THIS DRAWING APPLIES TO THE FOLLOWING T3U OPTIONS:

T3U-1-6SHD (6 SNAP-IN CONNECTORS & 1 HD-15 PASS-THRU)

T3U-2-L4S (4 SNAP-IN CONNECTORS, LEFT SIDE)

T3U-2-L2SHD (2 SNAP-IN CONNECTORS & 1 HD-15 PASS-THRU, LEFT SIDE)

T3U-2-L2SCP (2 SNAP-IN CONNECTORS & 1 CABLE PASS-THRU SLOT, LEFT SIDE)

THE APPEARANCE OF THE SHOWN PARTS FOR THE OPTIONS ABOVE MAY DIFFER SLIGHTLY, BUT THE CONCEPT AND ASSEMBLY PROCEDURE IS THE SAME FOR ALL THOSE NOTED OPTIONS.

NOTE: WHEN INSTALLING THE -HD OPTIONS, REMOVE THE MIDDLE COVER AS REQUIRED, AND DISCARD IT. REPLACE THIS COVER WITH THE ONE SUPPLIED IN THE -HD OPTION KIT.

FSR

244 BERGEN BLVD.
WEST PATERSON, NJ 07424
PH.#: (973) 785-4347

T3U-1&2 SNAP-IN CONNECTORS

PRINT FILE: I:\...\C-1003.pdf

FILE NAME: G:\TABLEBOX\T3U-TB\T3U

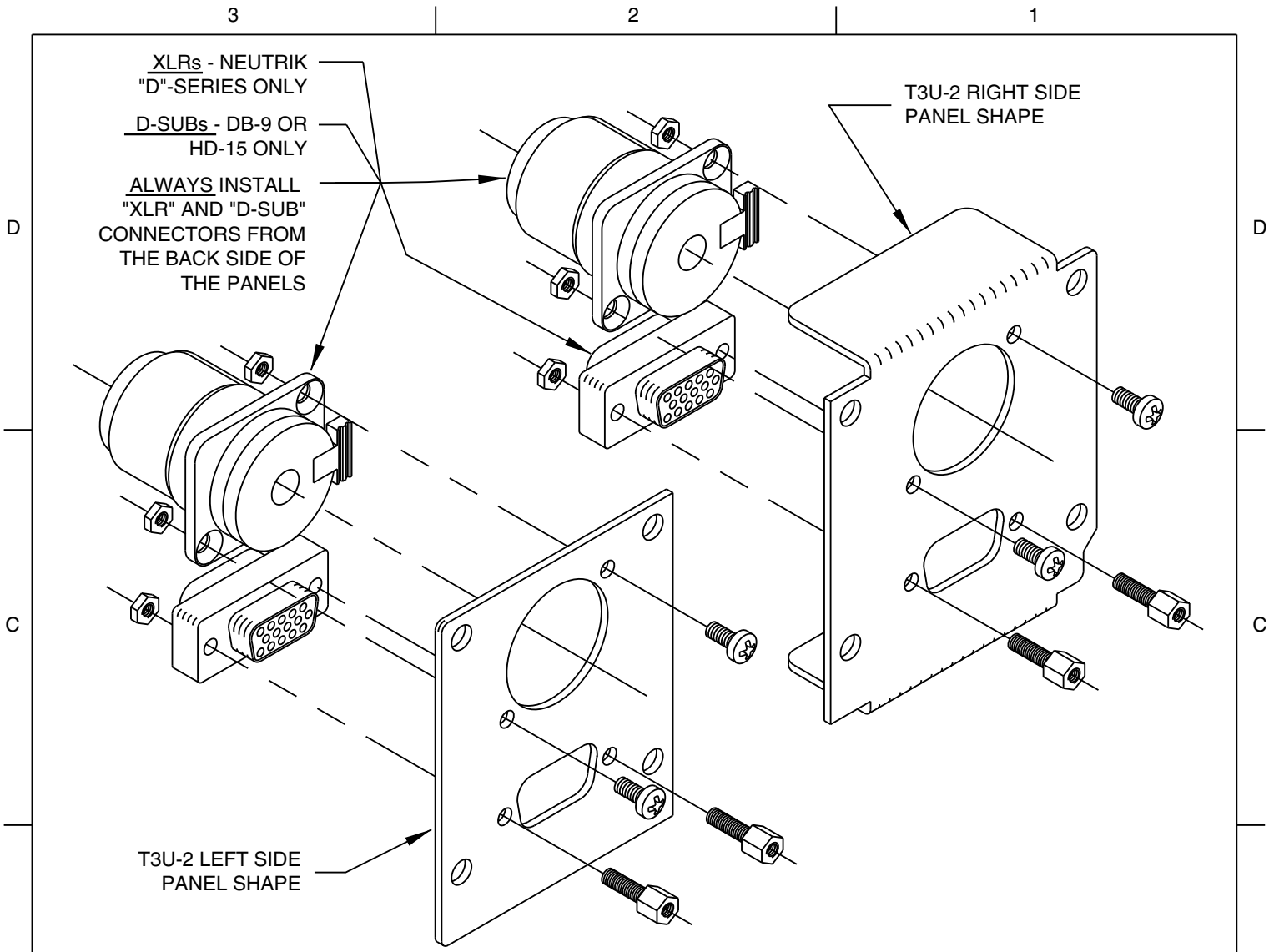
Snap-In

ISO.dwg

SCALE: .94:1

DATE: 07/31/02

APPR'V'D: D. Hansen



THIS DRAWING APPLIES TO THE FOLLOWING T3U OPTIONS:

- T3U-2-LDSUB** (2 D-SUB HOLES, LEFT SIDE)
- T3U-2-LDSXL** (1 D-SUB/1 XLR HOLES, LEFT SIDE)
- T3U-2-LXLR** (2 XLR HOLES, LEFT SIDE)
- T3U-2-RDSUB** (2 D-SUB HOLES, RIGHT SIDE)
- T3U-2-RDSXL** (1 D-SUB/1 XLR HOLES, RIGHT SIDE)
- T3U-2-RXLR** (2 XLR HOLES, RIGHT SIDE)

FSR

244 BERGEN BLVD.
 WEST PATERSON, NJ 07424
 PH.#: (973) 785-4347

T3U-2 D-SUB & XLR CONNECTOR OPTIONS

PRINT FILE: I:\...\C-1004.pdf

FILE NAME: G:\TABLEBOX\T3U-TB\T3U XLR ISO.dwg

SCALE: .94:1

DATE: 07/31/02

APPR'V'D: D. Hansen