

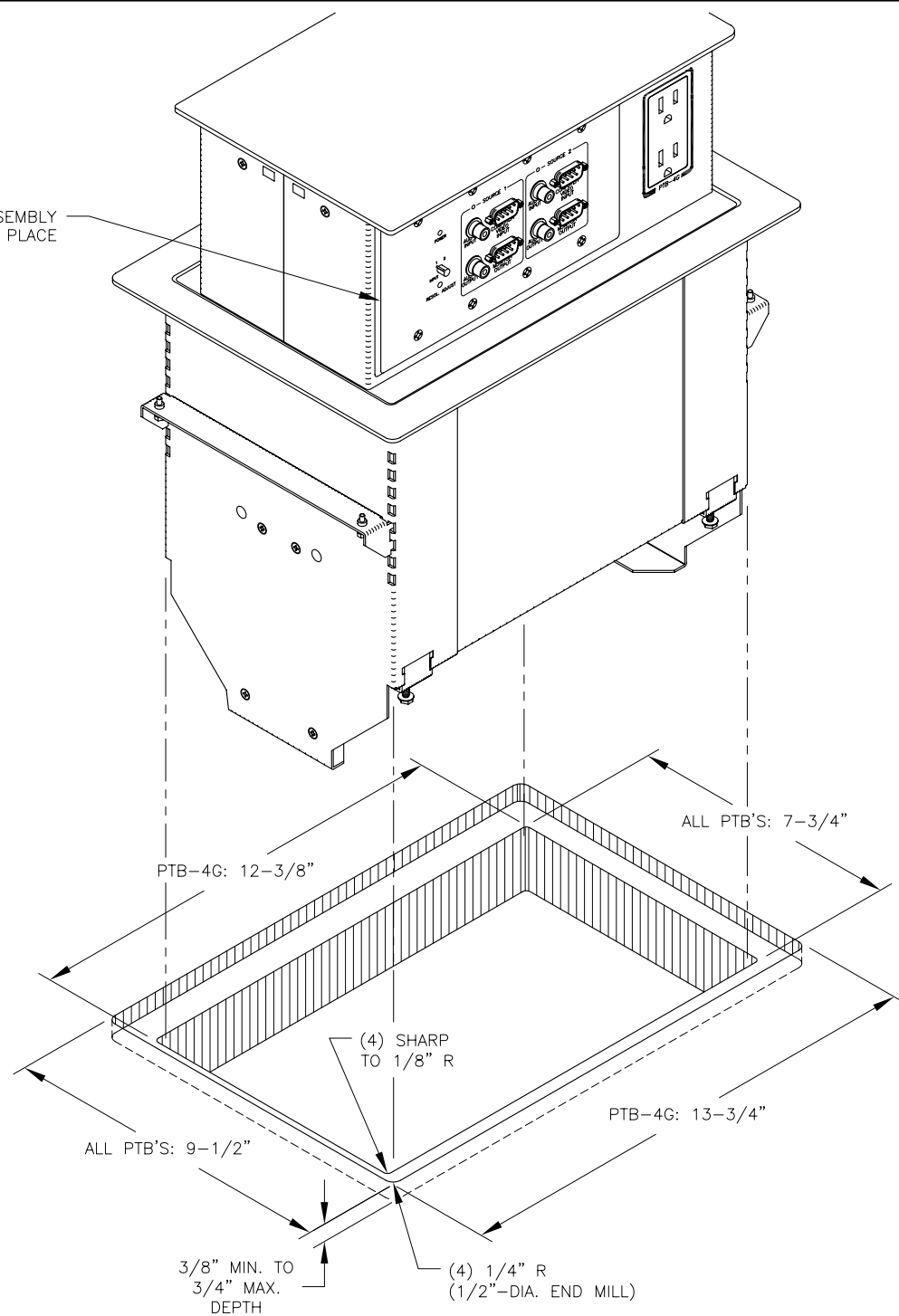
SHEET 1 OF 2

FSR <i>inc.</i> 244 BERGEN BLVD. W. PATERSON, NJ 07424 TEL. (973) 785-4347 FAX (973) 785-3318	TITLE: POP-UP TABLE BOX 4-GANG		
	DRAWN BY: JRE	DATE: 08/02/05	REV: -
	DWG#: PTB-4G	SCALE: 1:2	

8 7 6 5 4 3 2 1

F
E
D
C
B
A

WALL PLATE ASSEMBLY SHOWN IN PLACE



3/8" MIN. TO 3/4" MAX. DEPTH
(4) SHARP TO 1/8" R
(4) 1/4" R (1/2"-DIA. END MILL)

THRU-HOLE AND RABBET DIMENSIONS

SHEET 2 OF 2

FSR inc. 244 BERGEN BLVD. W. PATERSON, NJ 07424 TEL. (973) 785-4347 FAX (973) 785-3318	TITLE: POP-UP TABLE BOX 4-GANG		
	DRAWN BY: JRE	DATE: 08/02/05	REV: -
	DWG#: PTB-4G	SCALE: 1:2	

8 7 6 5 4 3 2 1