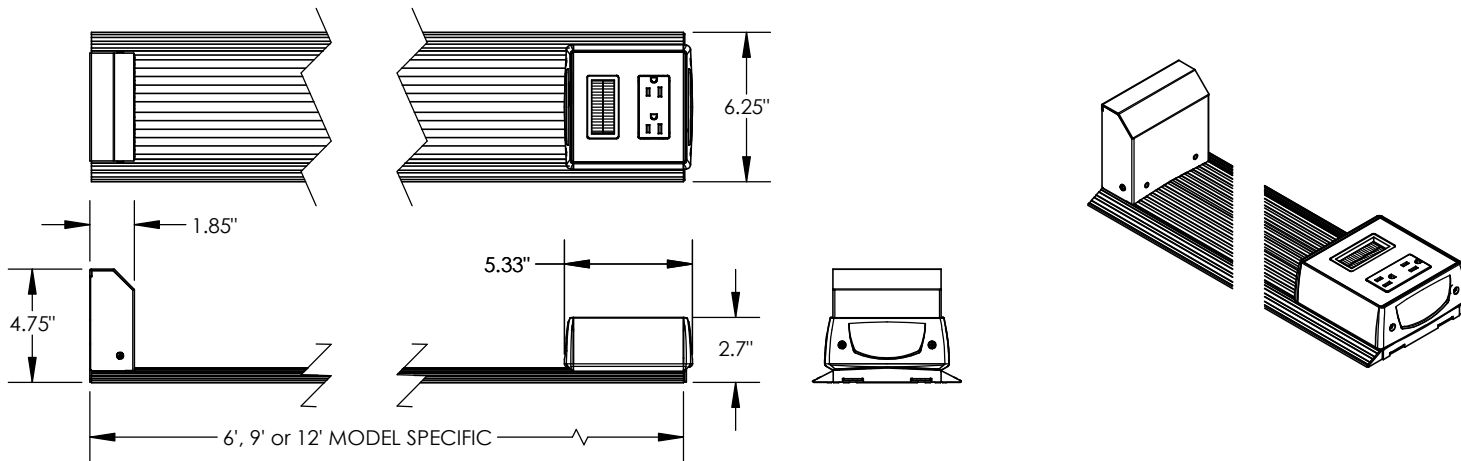
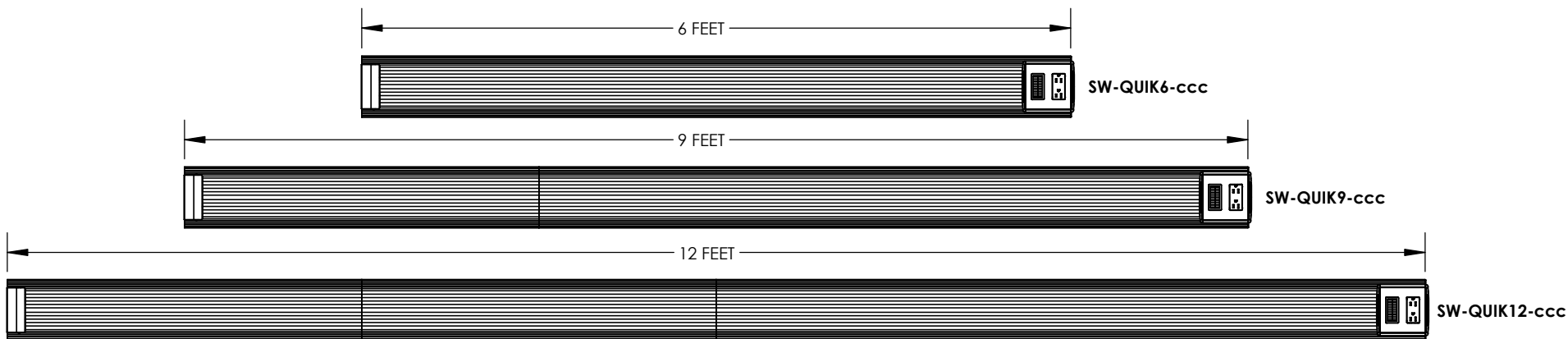


SW-QUIK 6, 9 or 12 FOOT BOXED SYSTEM



ASSEMBLED VIEWS

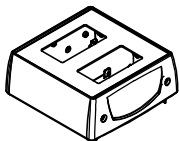


INCLUDED PARTS

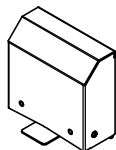
DECOR BRUSH INSERT



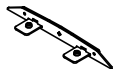
SW-DB-1P1D DEVICE BOX



SW-WF-LP WALL IN-FEED



SW-END END KIT



SW-RACEWAY 6' LONG WITH COVER PRECUT TO SIZE



QUIK9 SW-RACEWAY 3' LONG



QUIK12 SW-RACEWAY 2 x 3' LONG



SW-QUIKxx-ALM - ALUMINUM CLEAR ANODIZED
SW-QUIKxx-SLT - SLATE POWDER COAT

FSR inc.
244 BERGEN BLVD.
WOODLAND PARK, NJ 07424
TEL (973) 785-4347
FAX (973) 785-3318

| | | | |
|----------------------|----------------|------------|--|
| TITLE: SW-QUIKxx-ccc | | | |
| DRAWN BY: JRE | DATE: 11/18/24 | REV: 01 | |
| DWG#: SW-QUIKxx-ccc | PAGE: 1 OF 1 | SCALE: 1:1 | |