

4

3

2

1

C

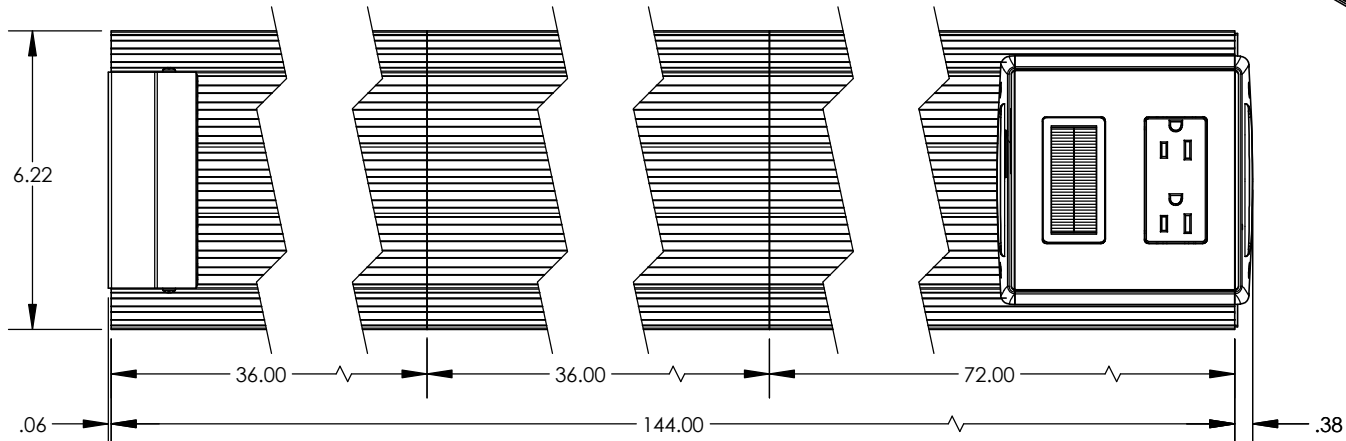
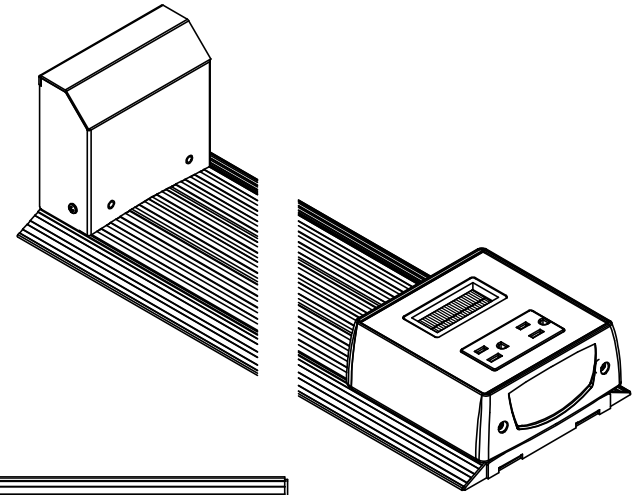
C

B

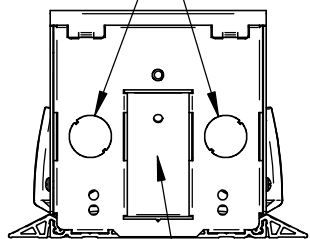
B

A

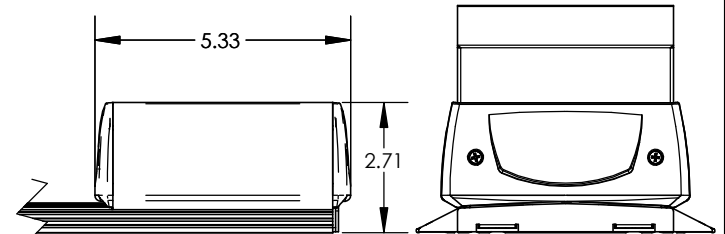
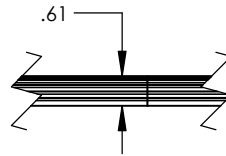
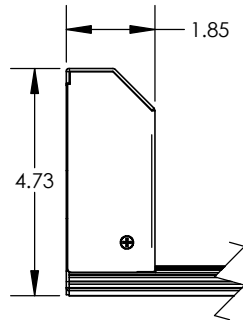
A



1/2" TRADE SIZE
KNOCKOUT
(POWER)



OPENING
(LOW VOLTAGE)



ADA COMPLIANT

SW-QUIK12-ALM - ALUMINUM CLEAR ANODIZED
SW-QUIK12-SLT - SLATE POWDER COAT

FSR inc.
244 BERGEN BLVD.
WOODLAND PARK, NJ 07424
TEL (973) 785-4347
FAX (973) 785-3318

TITLE: SW-QUIK12-ccc			
DRAWN BY: JRE	DATE: 11/18/24	REV: 01	
DWG#: SW-QUIK12-ccc	PAGE: 1 OF 1	SCALE: 1:4	

4

3

2

1