

4

3

2

1

C

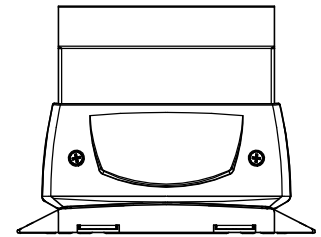
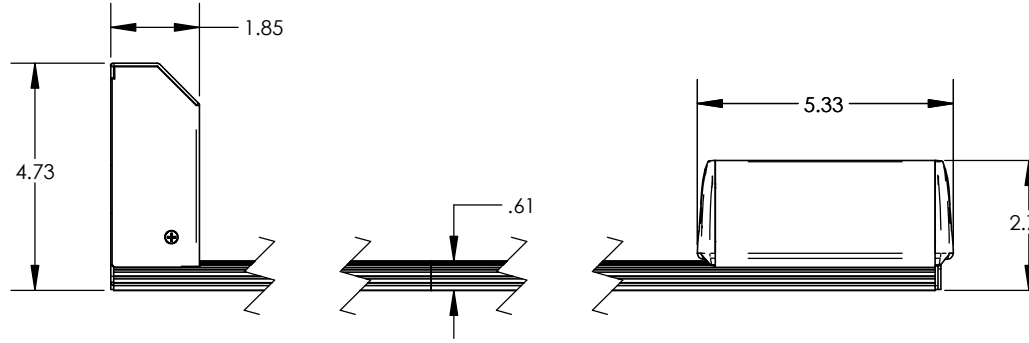
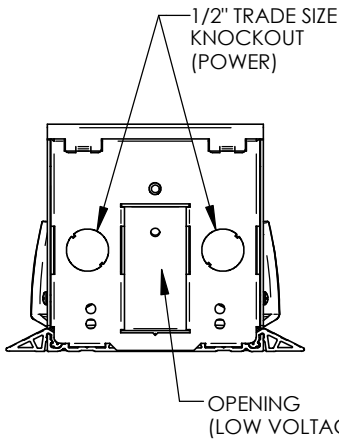
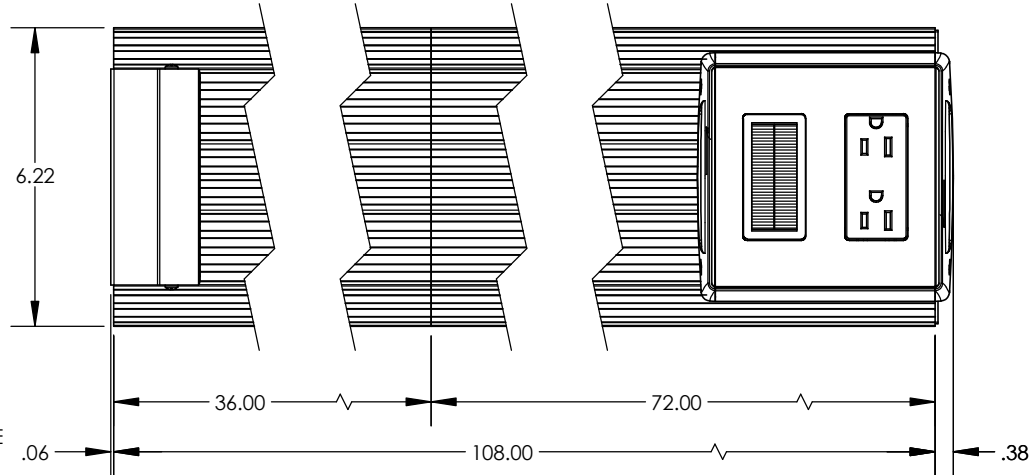
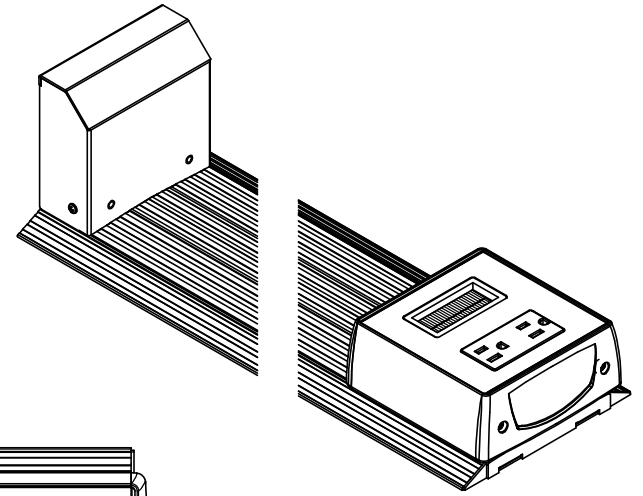
C

B

B

A

A



ADA COMPLIANT

SW-QUIK9-ALM - ALUMINUM CLEAR ANODIZED
 SW-QUIK9-SLT - SLATE POWDER COAT

FSR inc.
 244 BERGEN BLVD.
 WOODLAND PARK, NJ 07424
 TEL (973) 785-4347
 FAX (973) 785-3318

TITLE: SW-QUIK9-ccc			
DRAWN BY: JRE	DATE: 11/18/24	REV: 01	
DWG#: SW-QUIK9-ccc	PAGE: 1 OF 1	SCALE: 1:4	

4

3

2

1