

4

3

2

1

C

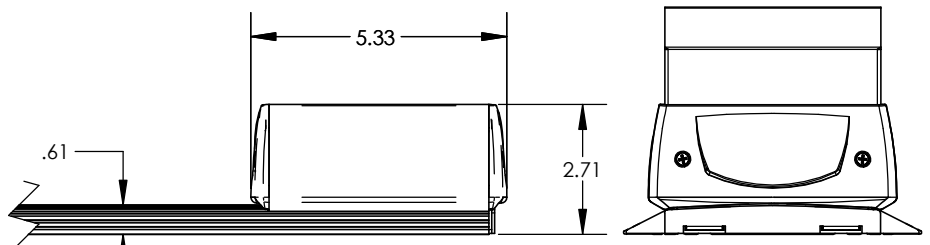
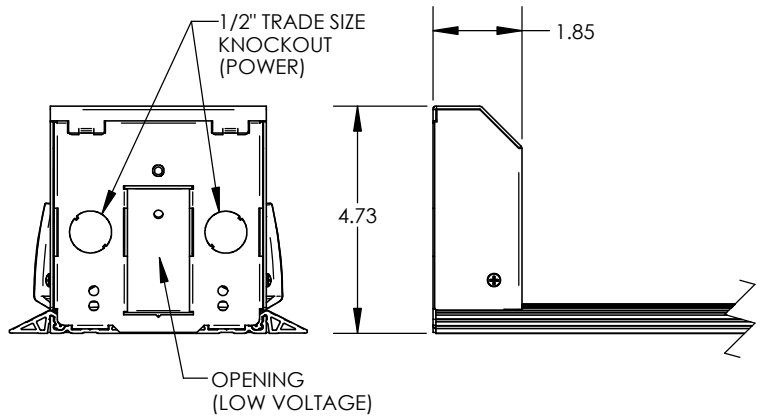
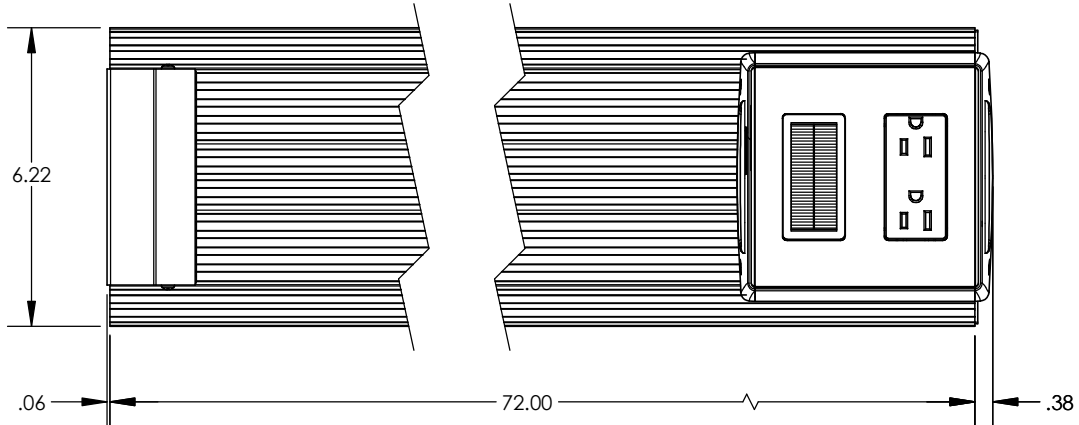
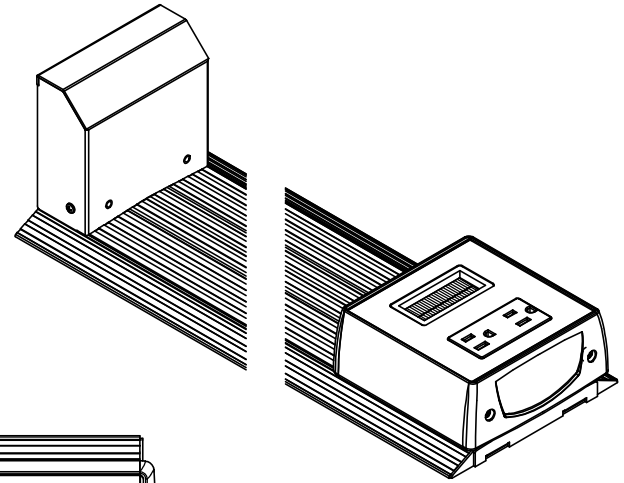
C

B

B

A

A



ADA COMPLIANT

SW-QUIK6-ALM - ALUMINUM CLEAR ANODIZED  
 SW-QUIK-6-SLT - SLATE POWDER COAT

**FSR inc.**  
 244 BERGEN BLVD.  
 WOODLAND PARK, NJ 07424  
 TEL (973) 785-4347  
 FAX (973) 785-3318

TITLE:			
SW-QUIK6-ccc			
DRAWN BY: JRE	DATE: 11/18/24	REV: 01	
DWG#: SW-QUIK6-ccc	PAGE: 1 OF 1	SCALE: 1:4	

4

3

2

1