

4

3

2

1

C

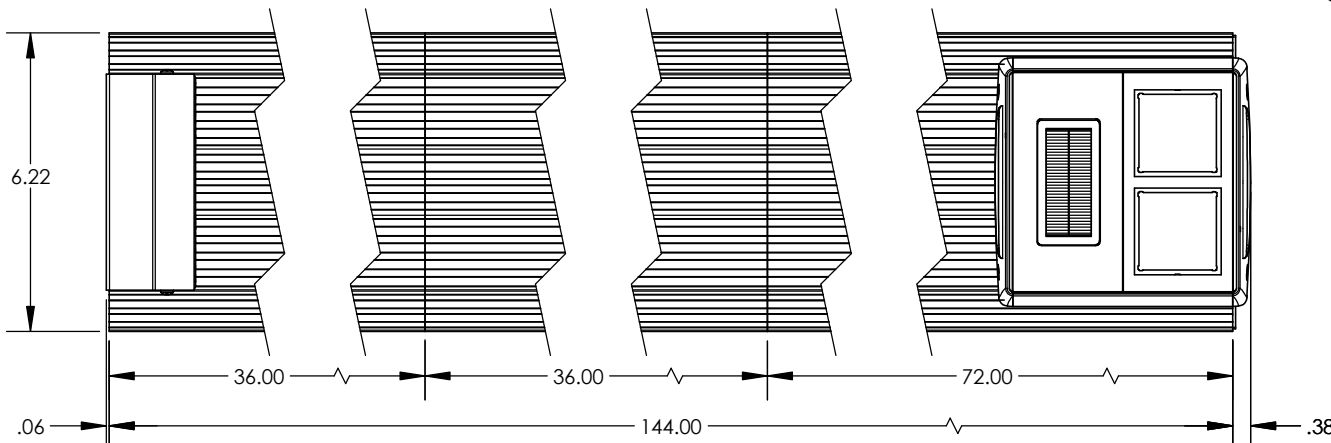
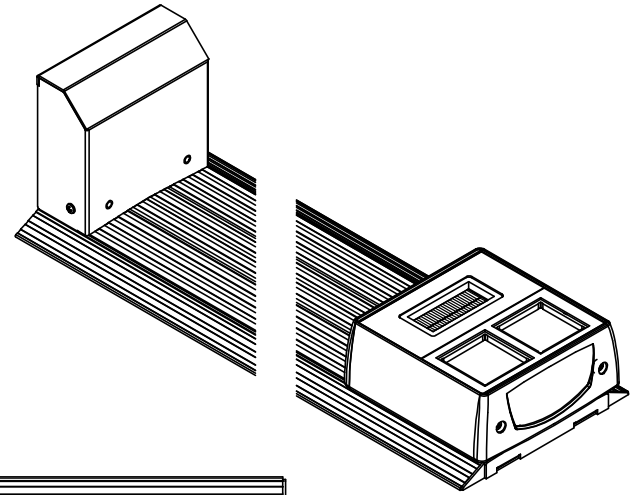
C

B

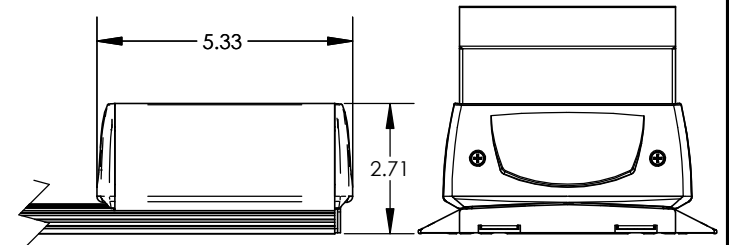
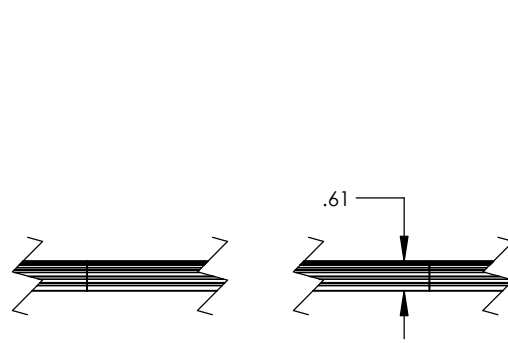
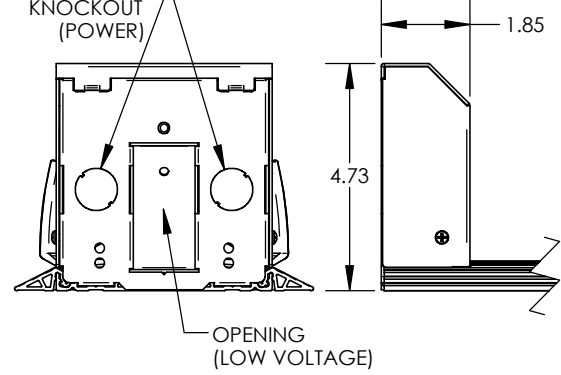
B

A

A



1/2" TRADE SIZE  
KNOCKOUT  
(POWER)



ADA COMPLIANT

SW-iQUIK12-ALM - ALUMINUM CLEAR ANODIZED  
SW-iQUIK12-SLT - SLATE POWDER COAT

**FSR inc.**  
244 BERGEN BLVD.  
WOODLAND PARK, NJ 07424  
TEL (973) 785-4347  
FAX (973) 785-3318

|                      |                |            |
|----------------------|----------------|------------|
| TITLE:               |                |            |
| SW-iQUIK12-ccc       |                |            |
| DRAWN BY: JRE        | DATE: 11/19/24 | REV: 01    |
| DWG#: SW-iQUIK12-ccc | PAGE: 1 OF 1   | SCALE: 1:4 |

4

3

2

1