

4

3

2

1

C

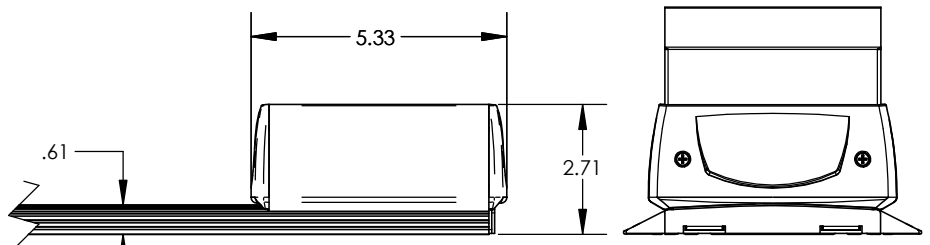
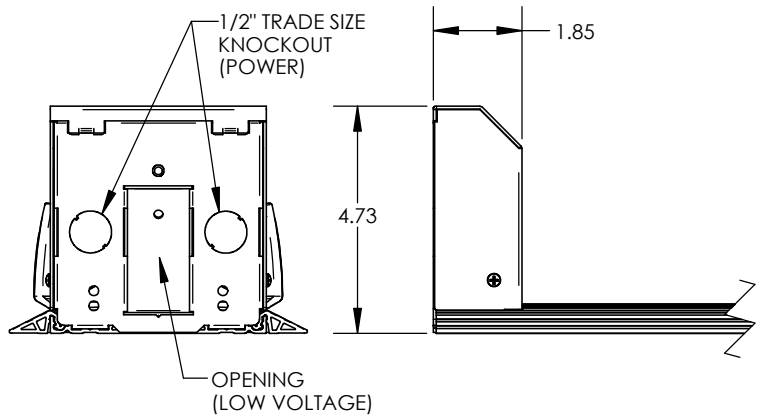
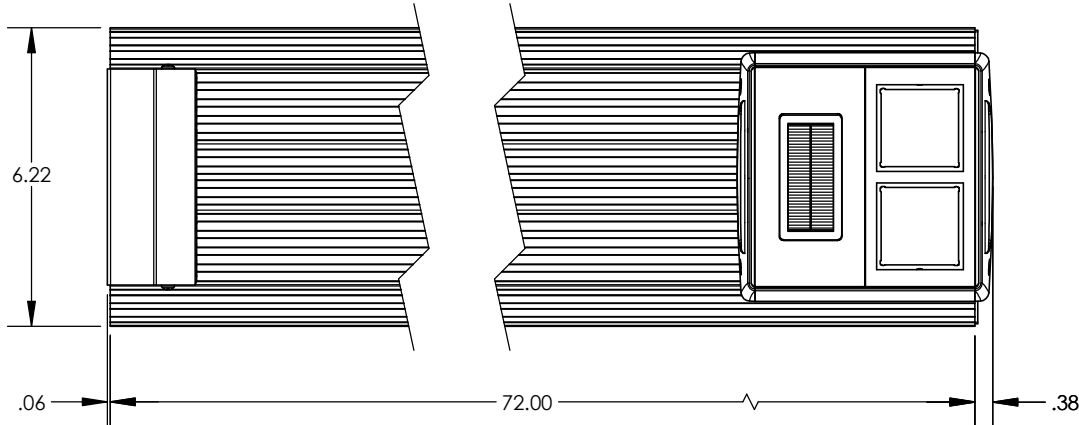
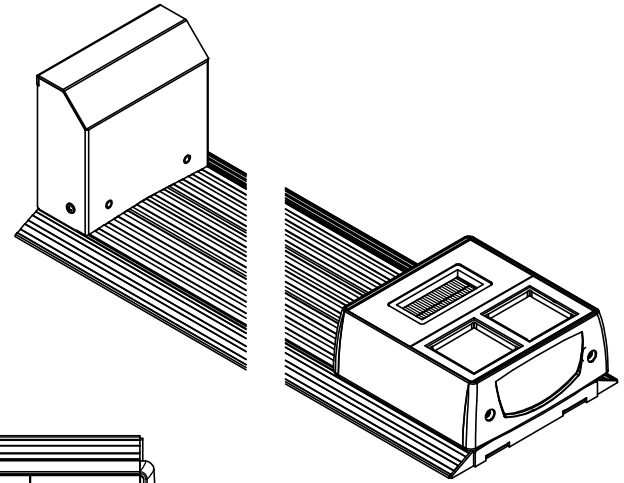
C

B

B

A

A



ADA COMPLIANT

SW-iQUIK6-ALM - ALUMINUM CLEAR ANODIZED
 SW-iQUIK6-SLT - SLATE POWDER COAT

FSR inc.
 244 BERGEN BLVD.
 WOODLAND PARK, NJ 07424
 TEL (973) 785-4347
 FAX (973) 785-3318

TITLE:			
SW-iQUIK6-ccc			
DRAWN BY: JRE	DATE: 11/19/24	REV: 01	
DWG#: SW-iQUIK6-ccc	PAGE: 1 OF 1	SCALE: 1:4	

4

3

2

1