

4

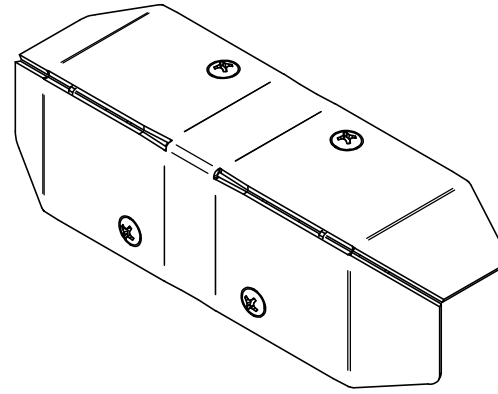
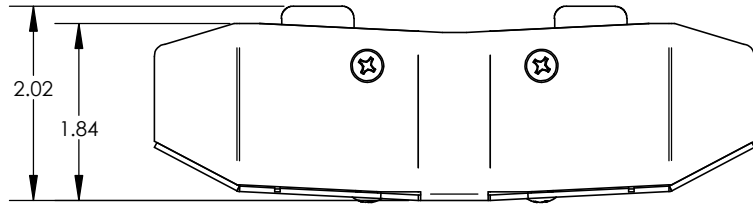
3

2

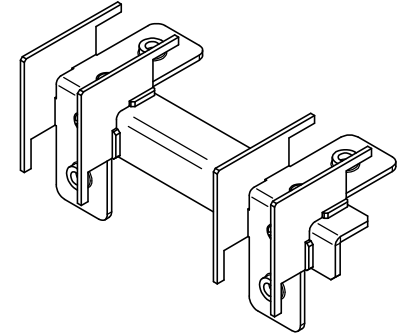
1

C

C



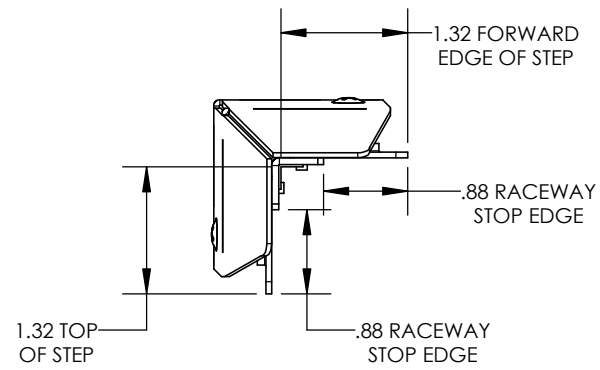
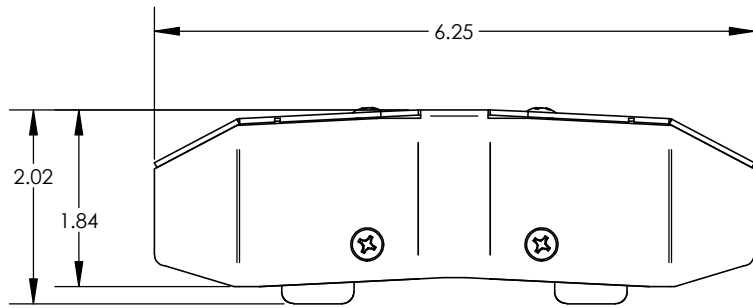
WITH COVER



WITHOUT COVER

B

B



A

A

SLATE GREY

**FSR inc.**  
244 BERGEN BLVD.  
WOODLAND PARK, NJ 07424  
TEL (973) 785-4347  
FAX (973) 785-3318

TITLE:		
SW-LOUT-SLT		
DRAWN BY: JRE	DATE: 10/10/24	REV: 01
DWGR#: SW-LOUT-SLT	PAGE: 1 OF 1	SCALE: 1:2

4

3

2

1