

4

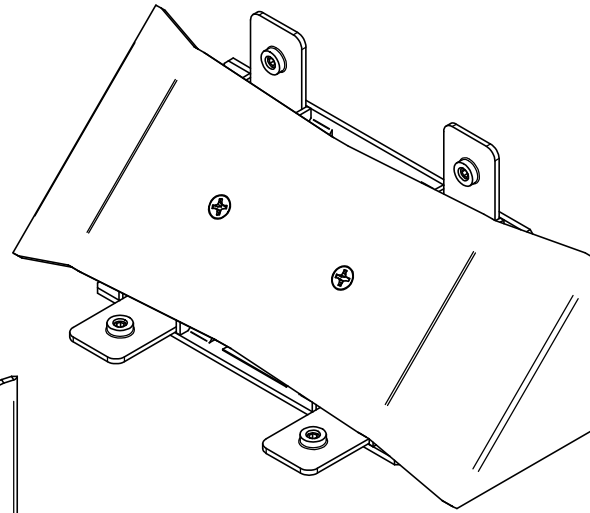
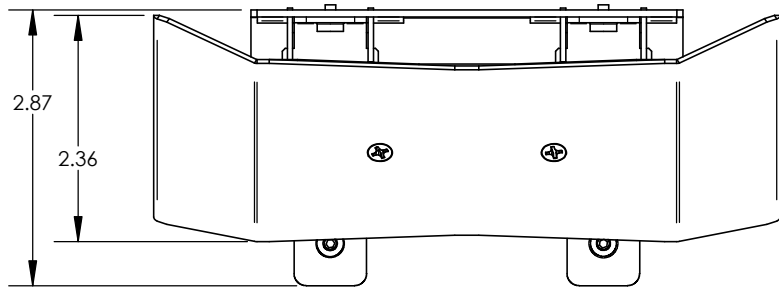
3

2

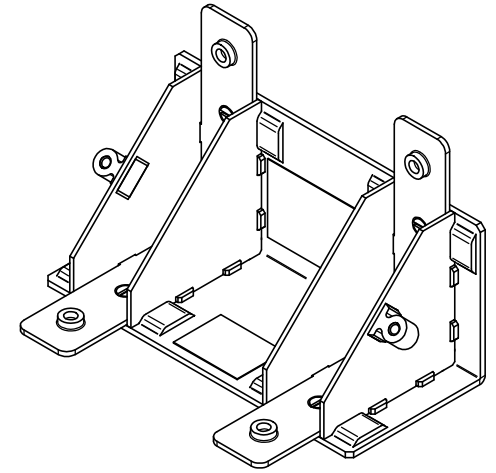
1

C

C



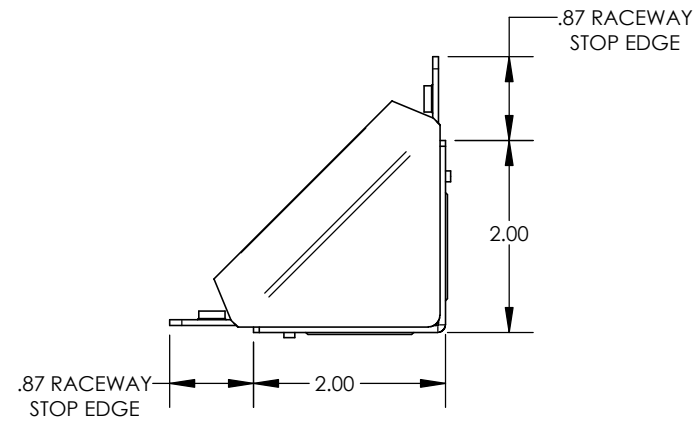
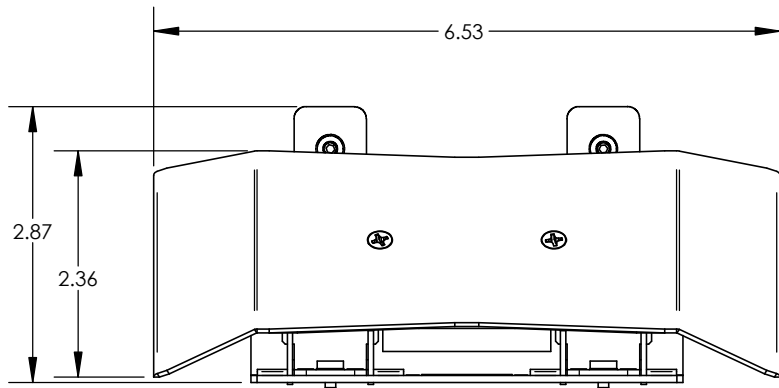
WITH COVER



WITHOUT COVER

B

B



A

A

SLATE GREY

FSR inc.
244 BERGEN BLVD.
WOODLAND PARK, NJ 07424
TEL (973) 785-4347
FAX (973) 785-3318

TITLE:			
SW-LIN-SLT			
DRAWN BY: JRE	DATE: 10/10/24	REV: 01	
DWG#: SW-LIN-SLT	PAGE: 1 OF 1	SCALE: 1:2	

4

3

2

1