

4

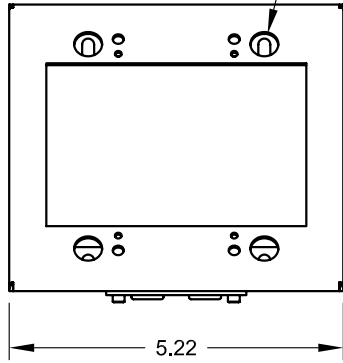
3

2

1

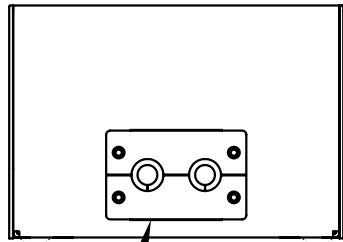
ACCESS HOLES FOR SURFACE-MOUNTING
SCREWS (BOTTOM PAN NOT SHOWN)

TOP VIEW



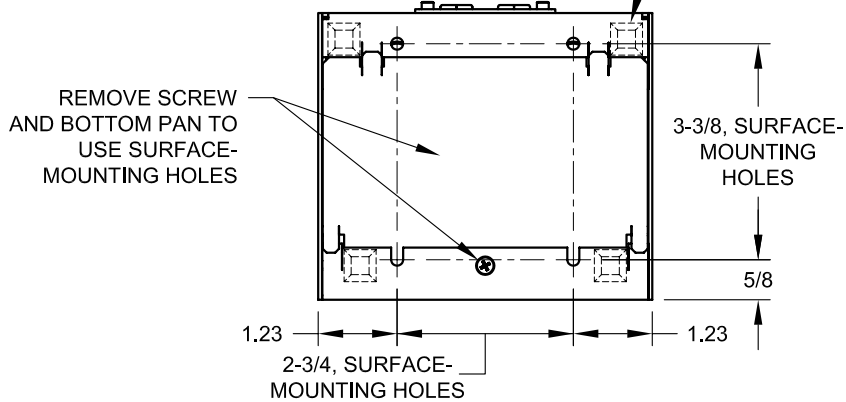
5.22

REAR VIEW



IPS-B020D PROVIDED
(PASS THRU, 2 x .312 ID
BUSHING)

BOTTOM VIEW



3.73
3.64
WITH
OPTIONAL
BUMPERS

END VIEW

4.48

WALL PLATE
SURFACE
VIEW

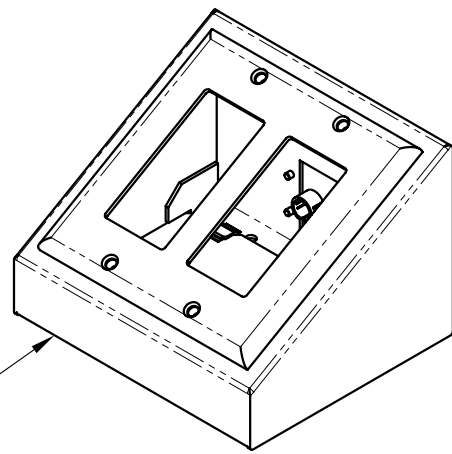
(4) #6-32
MOUNTING
HOLE

1.11

2.94
OPENING

4.06
OPENING

.58



DSKB-2G SHOWN
WITH WALL PLATE
(NOT PROVIDED)

FSR inc.
244 BERGEN BLVD.
W. PATERSON, NJ 07424
TEL. (973) 785-4347
FAX (973) 785-3318

TITLE:	DSKB-2G		
DRAWN BY:	JRE	DATE:	01/18/07
DWG#:	DSKB-2G	REV:	-
		SCALE:	1:3

4

3

2

1

C

C

B

B

A

A